

M&M Manufacturing Company



www.mmmfg.com www.snappyco.com

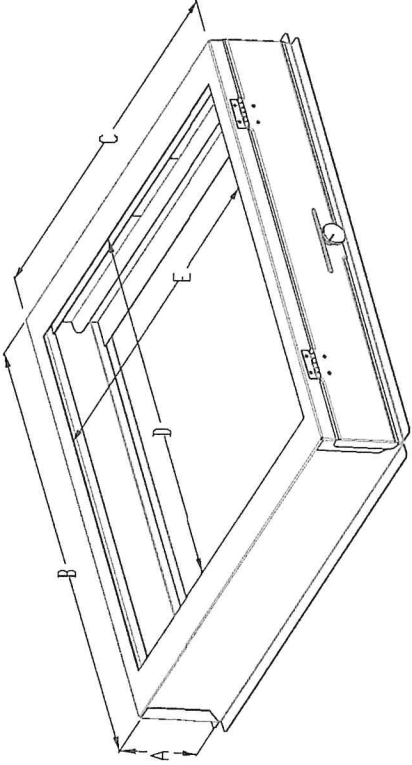
DETROIT LAKES (800)-328-2044

DALLAS (972)-485-1504
FORT WORTH (Ado Lph) (817)-334-0034

HOUSTON (713)-690-0585
FORT WORTH (MKIV) (817)-336-2311

MEDINA (800)-229-0021

PROPRIETARY INFORMATION.
THIS DRAWING IS THE PROPERTY OF M&M MANUFACTURING COMPANY. ALL RIGHTS ARE RESERVED. NO PART OF THIS DRAWING OR ANY OTHER INFORMATION OF THE COMPANY IS TO BE REPRODUCED OR COPIED IN WHOLE OR IN PART OR USED FOR UNAUTHORIZED REPRODUCTION WITHOUT THE WRITTEN PERMISSION OF M&M MANUFACTURING COMPANY. FOR FURTHER INFORMATION, CONTACT THE COMPANY.



Filter Base Product

- 22 gauge galvanized steel construction
- Lift access door, no furnace panel or door to remove
- Magnetic locking door with chrome knob
- Hinged embossed door for a tight seal
- Accepts standard size filters
- Chamfered corners for safe handling
- Removable rails to accommodate both 1", 2" or 4" filters

Filter size	Handler type	M&M Part #	OUTSIDE DIMENSION			DUCT OPENING			FILTER SIZE	DOOR OPENING
			A	B	C	D	E			
1" Filter Series Height 2-7/8" Handles 1" filters	Electric Air Handler / Fan / Coil Unit Base	EZ-2020-FCCA EZ-2520-FCCA EZ-1620-FCCA	2-7/8	21	22	18-1/2	19	20 x 20	20	
	Upflow/ Horizontal Gas Furnace Filter Base	EZ-1425CA EZ-1625CA EZ-2025CA EZ-2424CA	2-7/8	14-1/4	28-5/8	11-3/4	24-5/8	14 x 25	14	
			2-7/8	17-5/8	28-5/8	14	25	16 x 25	16	
			2-7/8	21-5/8	28-5/8	18	24-5/8	20 x 25	20	
			2-7/8	24-1/2	28-5/8	22-1/8	24-1/2	24 x 24	24	

Filter size	Handler type	M&M Part #	OUTSIDE DIMENSION			DUCT OPENING			FILTER SIZE	DOOR OPENING
			A	B	C	D	E			
2" Filter Series Height 4" Handles 1" or 2" filters	Electric Air Handler / Fan / Coil Unit Base	EZ-1420-FC EZ-1620-FC EZ-2020-FC EZ-2020-FCA EZ-2520-FCW EZ-2025-FCN	4	14-3/8	22	11-3/4	18-15/16	14 x 20	14	
	Upflow/ Horizontal Gas Furnace Filter Base	EZ-1425 EZ-1625 EZ-2025 EZ-2424	4	17-5/8	28-5/8	15-1/8	18-15/16	16 x 20	16	
			4	21	22	18-1/2	18-15/16	20 x 20	20	
			4	23-5/8	22	20	20	20 x 20	20	
			4	25-3/8	22	22-1/2	19	20 x 25	25	
			4	21-9/16	24-15/16	19-1/2	21-1/2	20 x 25	20	

Filter size	Handler type	M&M Part #	OUTSIDE DIMENSION			DUCT OPENING			FILTER SIZE	DOOR OPENING
			A	B	C	D	E			
4" Filter Series Height 6" Handles 1", 2" or 4" filters	Electric Air Handler / Fan / Coil Unit Base	EZ-1420FC-6 EZ-1620FC-6 EZ-2020FC-6 EZ-2520FCW-6 EZ-2025FCN-6	6	14-3/8	22	11-3/4	18-15/16	14 x 20	14	
	Upflow/ Horizontal Gas Furnace Filter Base	EZ-1425-6 EZ-1625-6 EZ-2025-6 EZ-2424-6	6	17-5/8	28-5/8	15-1/8	18-15/16	16 x 20	16	
			6	21	22	18-1/2	18-15/16	20 x 20	20	
			6	25	22	22-1/2	19	20 x 25	25	
			6	21-5/8	25	19-1/2	21-1/2	20 x 25	20	
			6	14-1/4	28-5/8	11-3/4	24-5/8	14 x 25	14	

NOTE: Filter not included