



Buffer Tanks

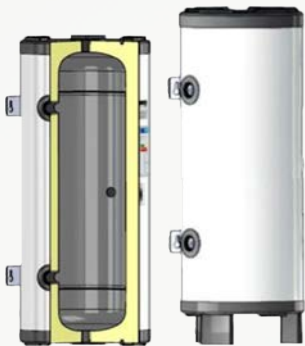
For Mixed Circuits and Microloads

Zilmet ZBT Buffer Tanks are the ideal solution to integrate variable demands, small loads and mixed flows in high-efficiency heating and chilled water systems. ZBT Buffer Tanks provide thermal mass and hydraulic separation to minimize cycling, simplify installation and reduce energy use.



Features

- Optimal capacity for high efficiency boilers in most residential and light-commercial applications
- Compact footprint, flush-mount fittings and side-facing sensor well for a streamlined installation
- Air vent, drain and temperature sensor ports
- Hardware kit includes bottom legs and wall-mount brackets for installation flexibility
- Closed-cell urethane insulation and bonded jacket eliminate condensation problems in chilled-water applications



Specifications

Max System Pressure: 60 psig
 Max Temperature: 200° F
 Fluid Compatibility: Water or Glycol Mix up to 50%
 Tank Material: Welded Steel
 Warranty: 5 Years

Dimensions

Model	Volume Gal	Diameter Inches	Height* Inches	System Connections	Vent & Drain Tappings	Sensor Port
ZBT-7	7	11.4	36.4	1" NPTF	3/4" NPTF	1/2" NPTF
ZBT-14	14	14.2	39.7	1-1/4" NPTF	3/4" NPTF	1/2" NPTF
ZBT-21	21	18.5	35.1	1-1/4" NPTF	1-1/4" NPTF	1/2" NPTF

*Tank height without accessories. Add 4" when leg kit is installed.

