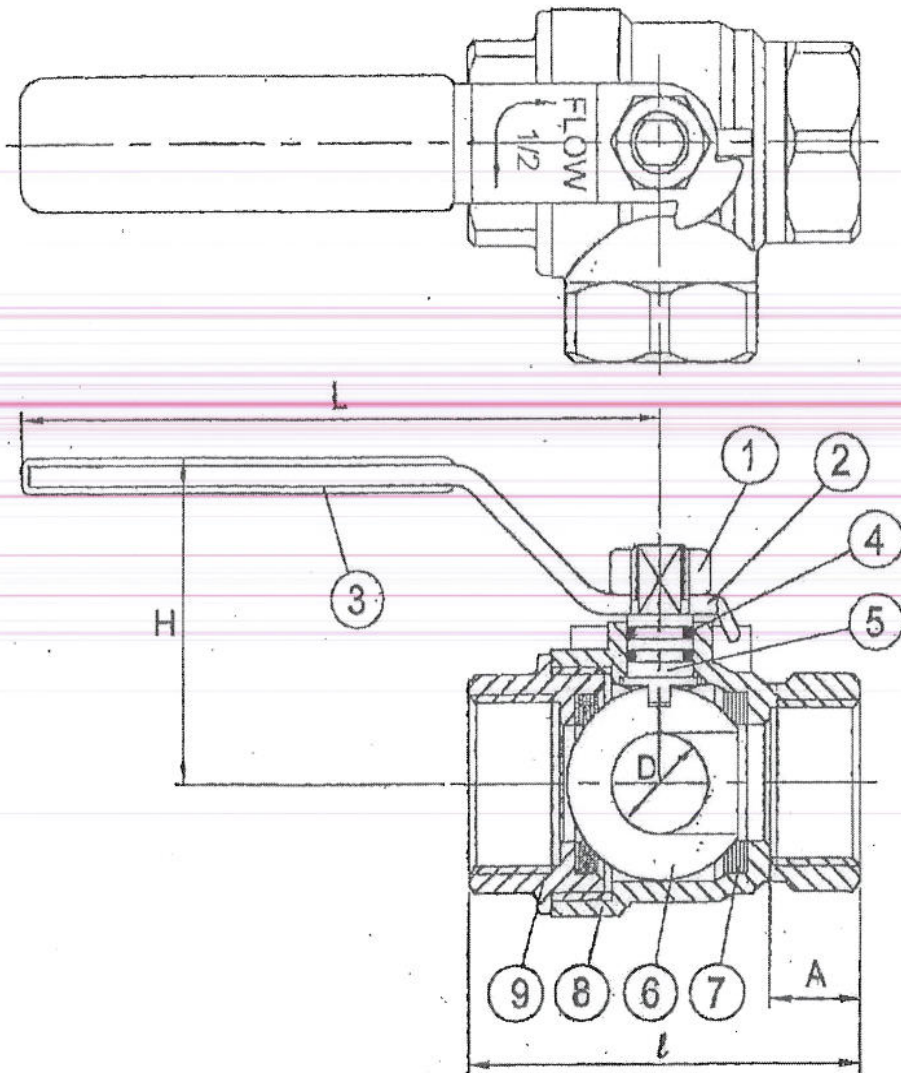


NOMENCLATURE & MATERIAL

NO	PART NAME	PART NUMBER	MATERIAL	Q'TY
1	NUT	4000401	STELL	1
2	HANDLE	4000403	STELL	1
3	COVER	4000404	PVC	1
4	O-RING	4000406	NBR	2
5	STEM	40L0407	BRASS	1
6	BODY	40L0408NY	BRASS	1
7	SEAT	40L0409	TEFLON	2
8	BALL DISC	40L0410	BRASS	1
9	END PLUG	6620411NY	BRASS	1



DIMENSION-QUANTITIES

Dimensions	Nominal Size (mm)					
	1/2	3/4	1	1 1/4	1 1/2	2
l	51.5	59	77	85	95	
H	41.7	53.5	57.6	71	75.5	
D	13	17	22	29	34	
L	85.5	106	106	131	131	
A	12	13	17	17.5	18	

1/2" - 940-461

3/4" - 940-462