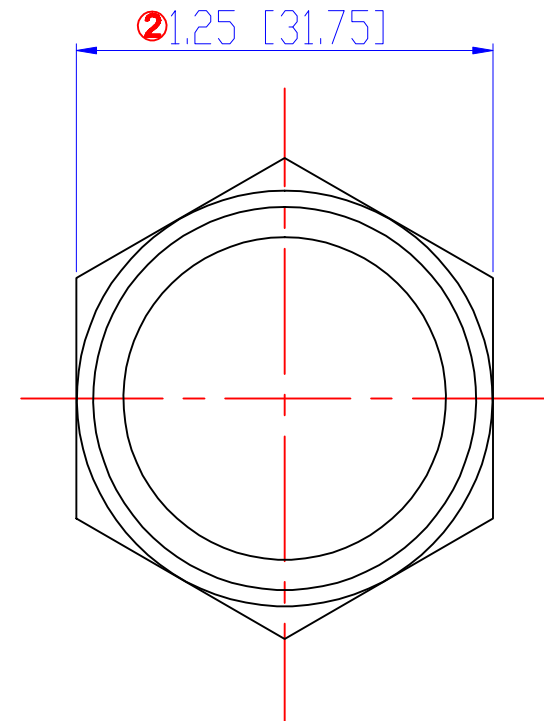
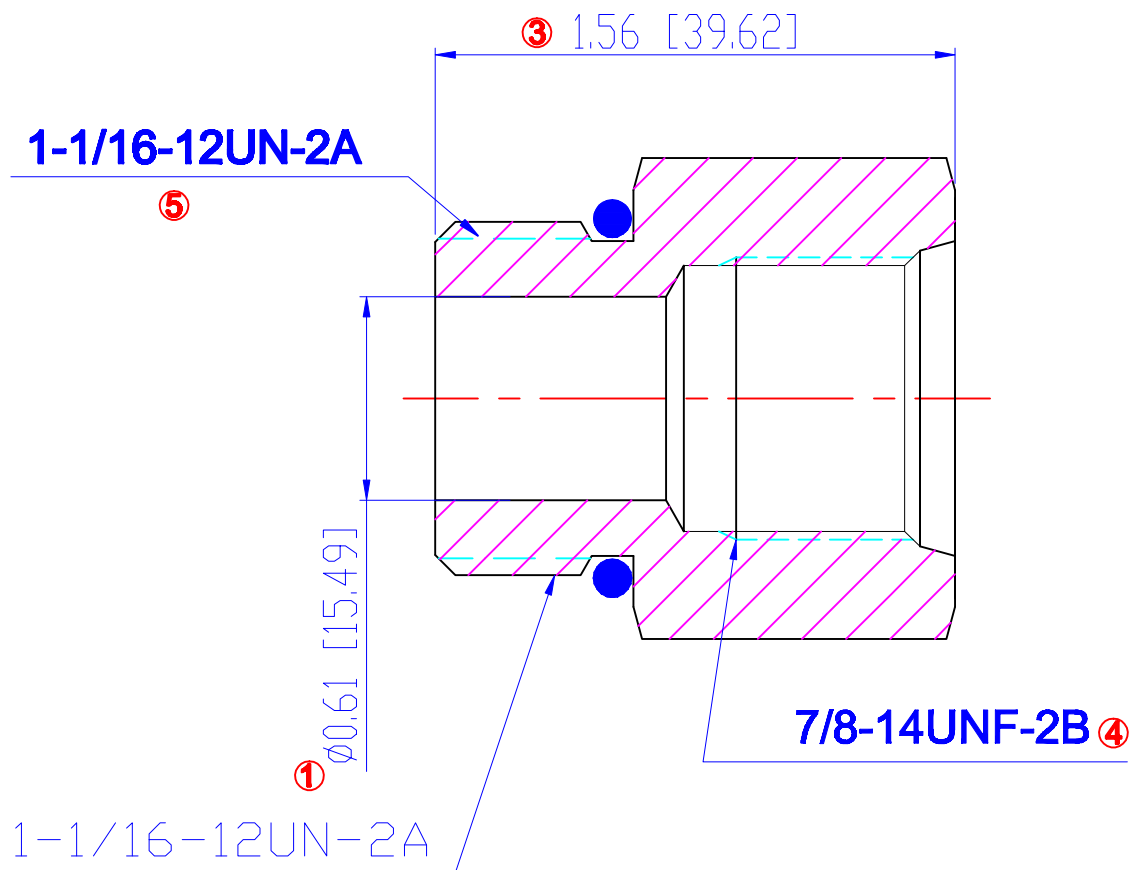


# Install:AS912-O-RING [ID=23.47±0.23 d1=2.95±0.08]



**NOTE:**  
**1. Move Burrs R0.005MAX**  
**2. Parts to be free of dirt and chips**

<p>"This drawing contains proprietary and confidential information of Midland Metal Mfg., Co. and shall not be reproduced, copied, loaned, or submitted to outside parties for examination without our consent"</p>				Date:		UNIT:	INCH	Material:	
				Drawn:		Scale:	1=1	Part Title:	1-1/16-12 x 7/8-14 Adapter
4				Checked:		PROJECT		PART NO.	641001210
3				Approved:		<p><b>MIDLAND METAL MFG. CO.</b>  <b>KANSAS CITY, MO</b></p>		DWG. NO.	
2									
1				<p>TOLERANCES ARE:                  DECIMALS.                  .X:±0.03                  .XX:±0.01                  .XXX:±0.005                  ANGLES:±1°                  FRACTIONS ± 1/8</p>					
NO.	PCA	Date	Revision						