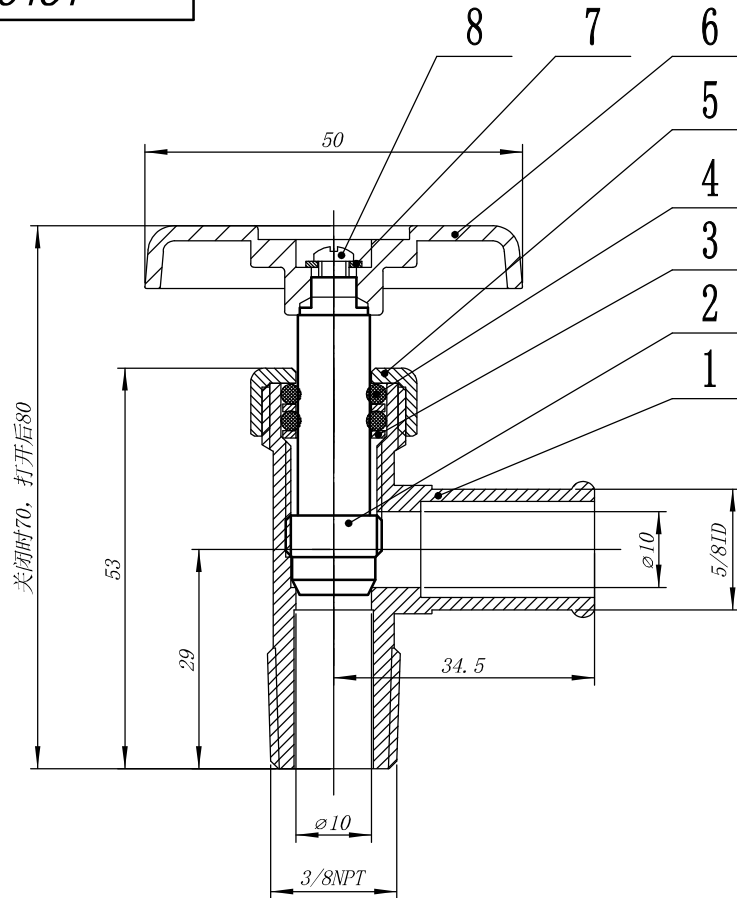


46451

All Dimensions are in mm

Others  $\frac{6.3}{\nabla}$



- 1. Aluminum Color Handle
- 2. 200PSI Working pressure
- 3. Working Pressure: -65°F to 250°F

NO.	Description	Qty	Material	Remark
8	Flanged Scew	1	S. S. 304	
7	Spring Washer	1	65Mn	
6	Wheel Handle	1	Die Casting AL.	AL. COLOR
5	Gland	1	Brass	
4	O-Ring	2	FKM	9*2.65
3	Gasket	1	Brass	13.5*9.5*1
2	Stem	1	Brass	
1	Body	1	Brass	

Midland Industries  
 3145 Oak Street  
 Kansas City, Missouri 64111

Brass		5/8 X 3/8 HOSE X MIP TRUCK VALVE
Material		
138.9G	1:1	46451 070815-00
Weight	Scale	