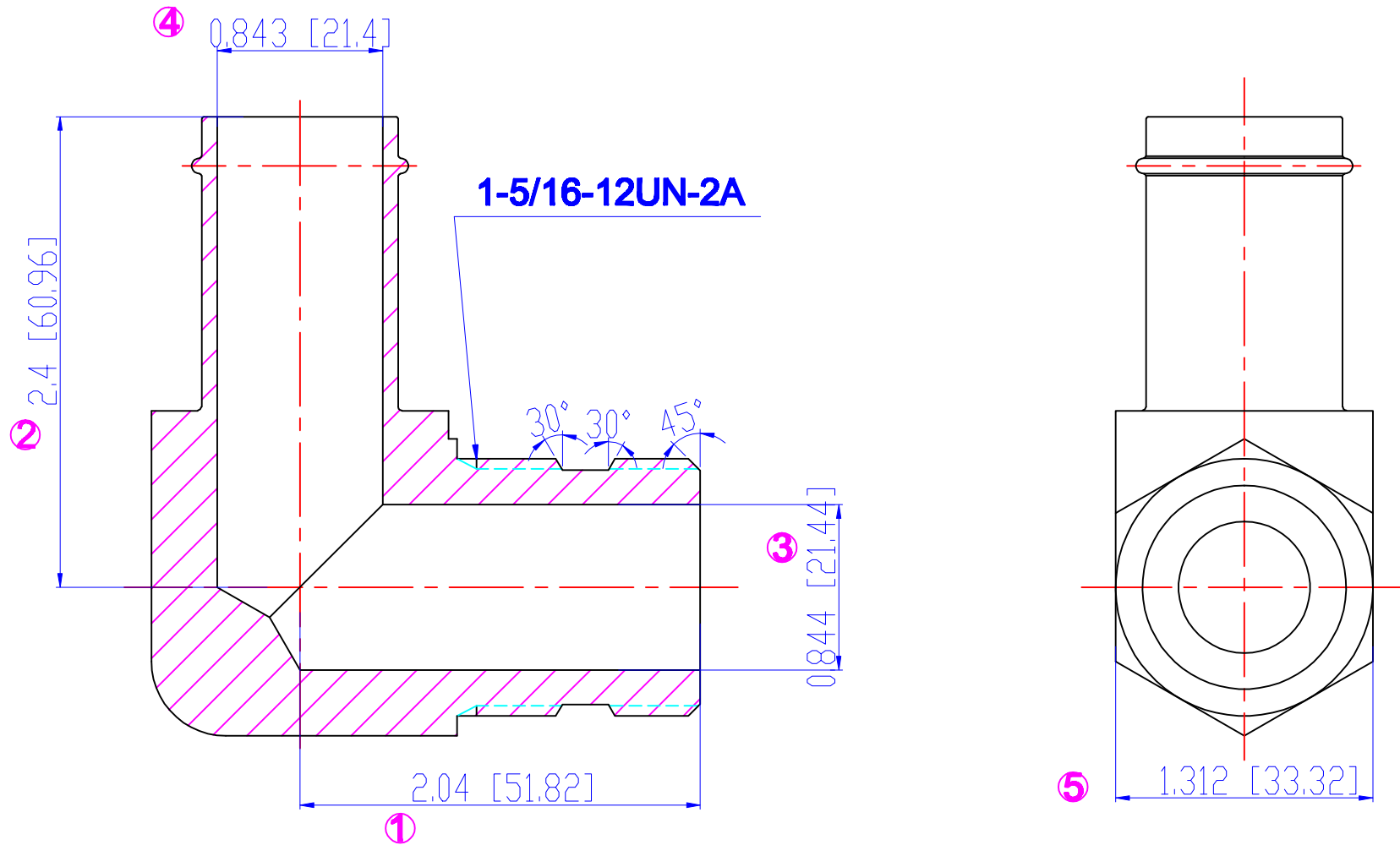


# Install:0306N-16 16#washer AS916 O-RING other: 3.2 / 6.3



"This drawing contains proprietary and confidential information of Midland Metal Mfg., Co. and shall not be reproduced, copied, loaned, or submitted to outside parties for examination without our consent"				Date:		UNIT:	INCH	Material:	
				Drawn:		Scale:	1=1	Part Title:	1 x 15/16 Hose x MORB Elbow
4				Checked:		PROJECT		PART NO.	4601NWO16
3				Approved:		MIDLAND METAL MFG. CO. KANSAS CITY, MO		DWG. NO.	
2				TOLERANCES ARE: DECIMALS. .X:±0.03 .XX:±0.01 .XXX:±0.005 ANGLES:±1° FRACTIONS ± 1/8					
1									
NO.	PCA	Date	Revision						