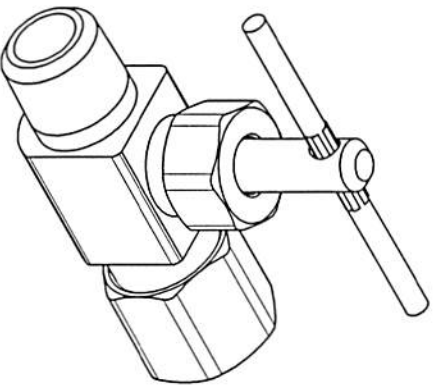
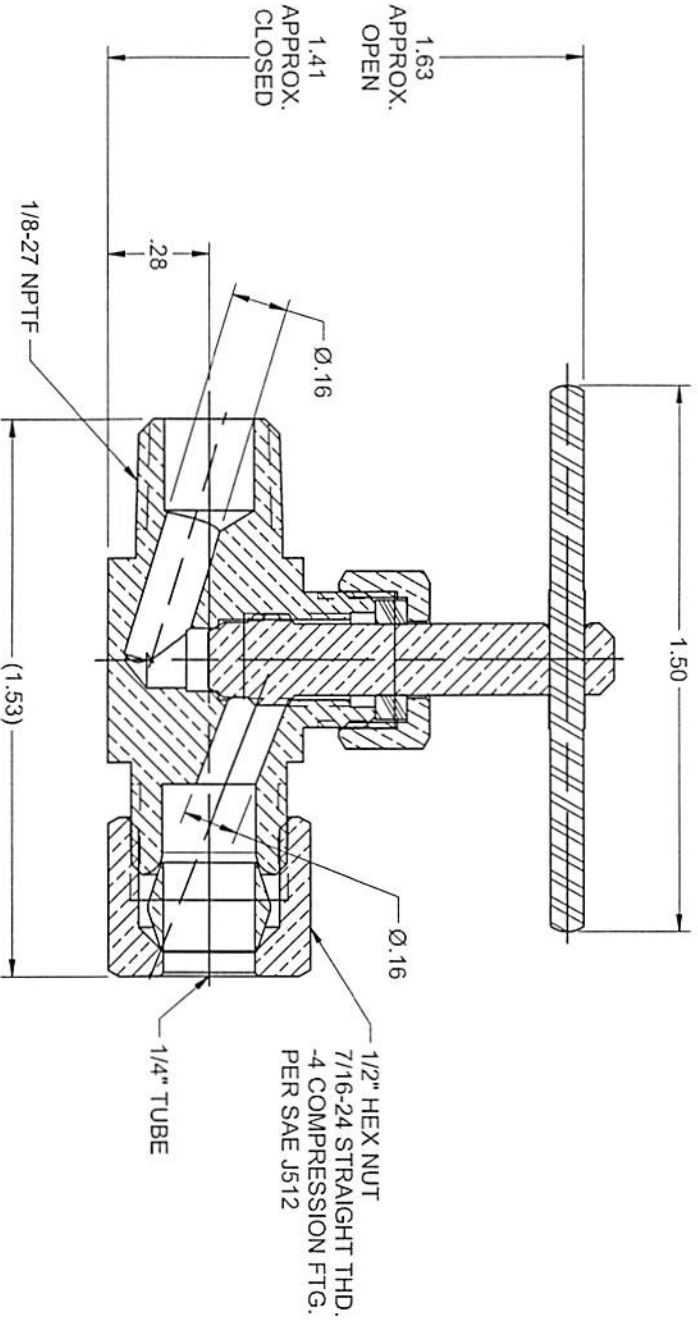


CUSTOMER PRINT



EST. WEIGHT	0.106 lbmass
EST. VOLUME	0.359 in ³

INCH

DRAWN BY:
TECHM

DRAWN DATE:
5/2/2016



COMPONENT	MATERIAL
BODY/ SLEEVE/ NUT/ PACKING NUT	C36000 BRASS
STEM	C36000 T.R. TEMPER BRASS
HANDLE	LOW CARBON STEEL
PACKING	BLACK NEOPRENE

DESCRIPTION

NEEDLE VALVE

PART NUMBER

46602

REV. H