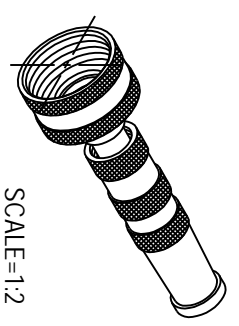
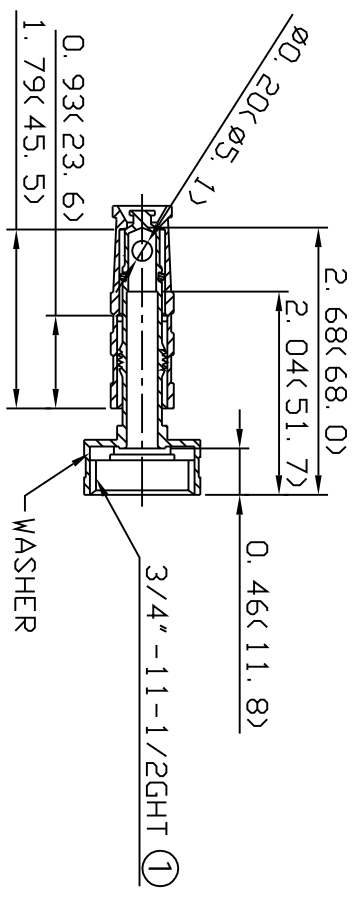


①②③ is the quality control point.



"This drawing contains proprietary and confidential information of Midland Metal Mfg., Co. and shall not be reproduced, copied, loaned, or submitted to outside parties for examination without our consent"

4			TOLERANCES ARE: DECIMALS: .X ± 0.03 .XX ± 0.01 .XXX ± 0.005 ANGLES ± 1° FRACTIONS ± 1/8
3			
2			
1		A (04786)	
NO.	PCA	Date	Revision

Date:	12/03/03	UNIT:	INCH
Drawn:	Rita Sue	Scale:	1=2
Checked:		PROJECT	
Approved:			

MIDLAND METAL MFG. CO.  
KANSAS CITY, MO

Material:	BRASS
Part Title:	3" CROSSED PATTERN BRASS NOZZLE
PART NO.	30640
DWG. NO.	