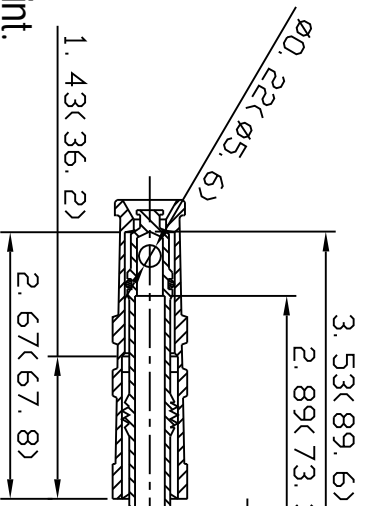
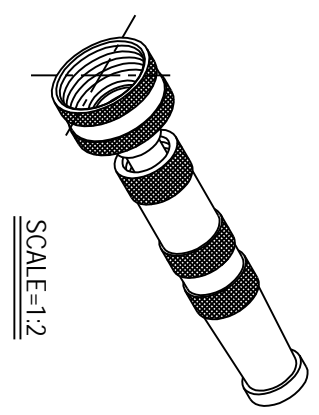


① ② ③ is the quality control point.



WASHER

WASHER



SCALE=1:2

"This drawing contains proprietary and confidential information of Midland Metal Mfg., Co. and shall not be reproduced, copied, loaned, or submitted to outside parties for examination without our consent"

4			TOLERANCES ARE: DECIMALS: .X ± 0.03 .XX ± 0.01 .XXX ± 0.005 ANGLES: ± 1° FRACTIONS ± 1/8
3			
2			
1		A (04786)	
NO.	PCA	Date	Revision

Date:	12/05/03	UNIT:	INCH
Drawn:	Rita Sue	Scale:	1=2
Checked:		PROJECT	
Approved:			

MIDLAND METAL MFG. CO.
KANSAS CITY, MO

Material:	BRASS
Part Title:	4" CROSSED PATTERN BRASS NOZZLE
PART NO.	30638

DWG. NO.	
----------	--