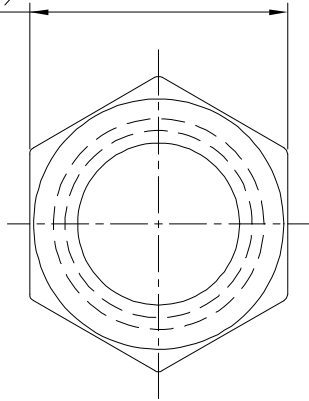
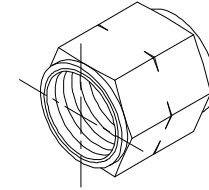
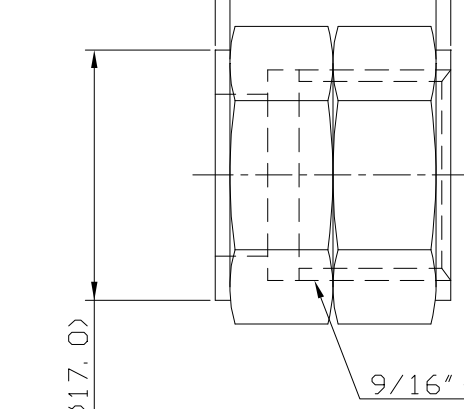


② 11/16" (17.5)

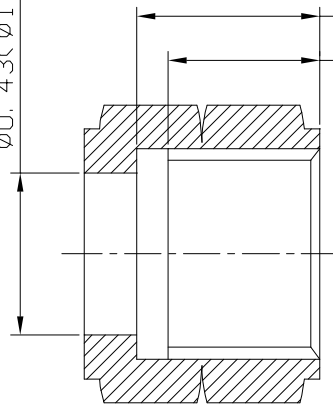


0.04 (1.0)      0.63 (16.0) ③  
0.04 (1.0)



∅0.67 (∅17.0)

∅0.43 (∅11.0)



0.49 (12.4)

0.41 (10.3)

①②③ is the quality control point .

"This drawing contains proprietary and confidential information of Midland Metal Mfg., Co. and shall not be reproduced, copied, loaned, or submitted to outside parties for examination without our consent"

4			
3			
2			
1			
NO.	PCA	Date	Revision

TOLERANCES ARE:  
DECIMALS.  
.X:±0.03  
.XX:±0.01  
.XXX:±0.005  
ANGLES:±1°  
FRACTIONS ± 1/8

Date:	91.11.25	UNIT:	INCH	Material:	CA360 BRASS
Drawn:	Rita Sue	Scale:	2=1	Part Title:	LEFT HAND 9/16-18 FOR ACETYLENE LINE
Checked:		PROJECT		PART NO.	30421
Approved:				DWG. NO.	
MIDLAND METAL MFG. CO. KANSAS CITY, MO					