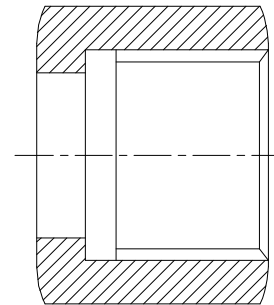
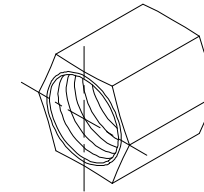
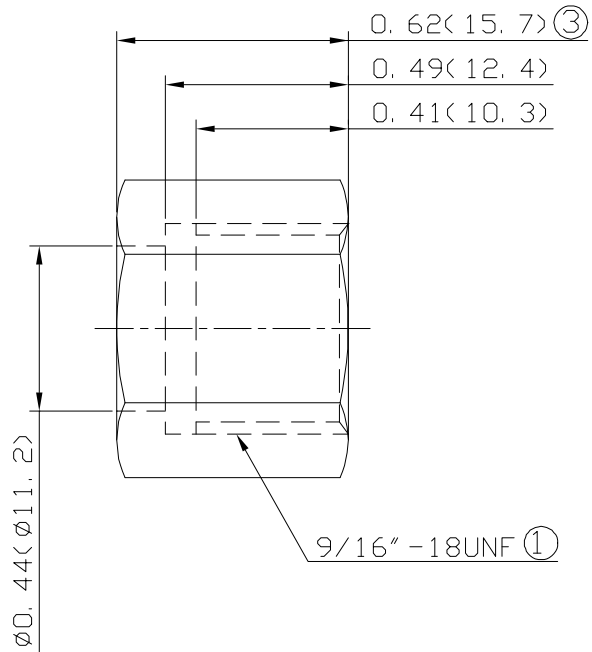
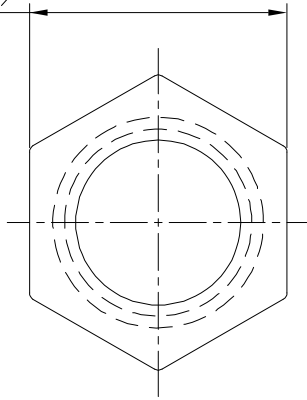


② 11/16" (17.5)



①②③ is the quality control point .

**"This drawing contains proprietary and confidential information of Midland Metal Mfg., Co. and shall not be reproduced, copied, loaned, or submitted to outside parties for examination without our consent"**

4			
3			
2			
1			
NO.	PCA	Date	Revision

TOLERANCES ARE:  
 DECIMALS.  
 .X:±0.03  
 .XX:±0.01  
 .XXX:±0.005  
 ANGLES:±1°  
 FRACTIONS ± 1/8

Date:	91.11.22	UNIT:	INCH	Material:	CA360 BRASS
Drawn:	Rita Sue	Scale:	2=1	Part Title:	RIGHT HAND 9/16-18 FOR OXYGEN LINE
Checked:		PROJECT		PART NO.	30420
Approved:				DWG. NO.	
MIDLAND METAL MFG. CO.					
KANSAS CITY, MO					