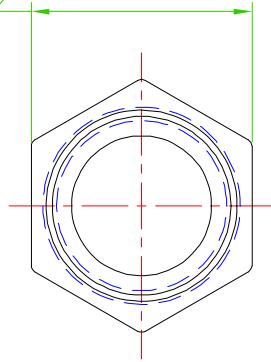


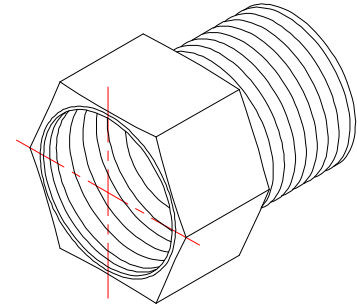
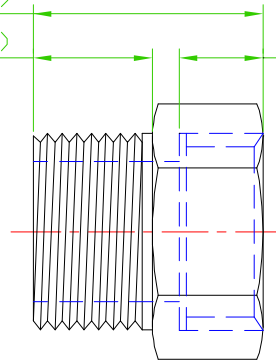
③ 1-3/16" (30.0)



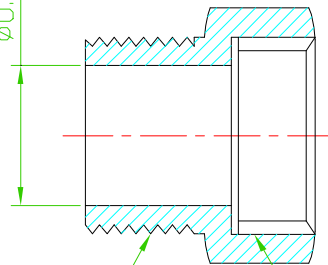
④ 1.22 (31.1)

0.64 (16.3)

0.45 (11.4)



① 0.75 (19.0)



① 3/4" -14NPT

3/4" -11-1/2NH ②

①②③④ is the quality control point .

"This drawing contains proprietary and confidential information of Midland Metal Mfg., Co. and shall not be reproduced, copied, loaned, or submitted to outside parties for examination without our consent"

NO.	PCA	Date	Revision
4			
3			
2			
1			

TOLERANCES ARE:
 DECIMALS.
 .X:±0.03
 .XX:±0.01
 .XXX:±0.005
 ANGLES:±1°
 FRACTIONS ± 1/8

Date:	91.12.02	UNIT:	INCH	Material:	CA360 BRASS
Drawn:	Rita Sue	Scale:	1=1	Part Title:	3/4"FGH * 3/4"MALE PIP RIGID
Checked:		PROJECT		PART NO.	30093L
Approved:				DWG. NO.	
MIDLAND METAL MFG. CO.			KANSAS CITY, MO		