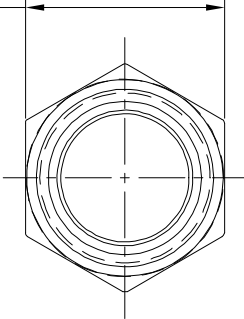


④ 1-1/16" (27.0)

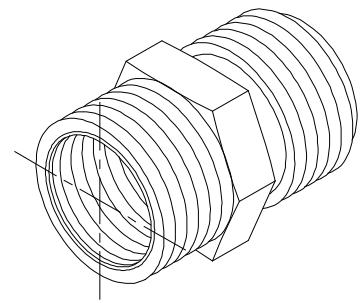
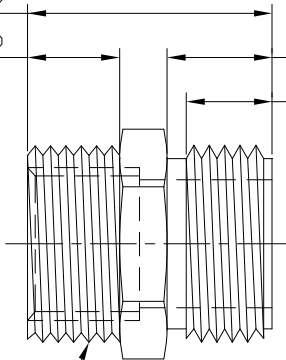


⑤ 1.31 (33.2)

0.49 (12.5)

0.56 (14.3)

0.46 (11.7)

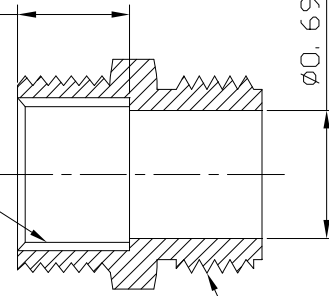


③ 3/4" -14NPT

0.60 (15.2)

∅0.69 (∅17.4)

① 1/2" -14NPT



3/4" -11-1/2NH ②

①②③④⑤ is the quality control point .

"This drawing contains proprietary and confidential information of Midland Metal Mfg., Co. and shall not be reproduced, copied, loaned, or submitted to outside parties for examination without our consent"

4			
3			
2			
1			
NO.	PCA	Date	Revision

TOLERANCES ARE:
 DECIMALS.
 .X:±0.03
 .XX:±0.01
 .XXX:±0.005
 ANGLES:±1°
 FRACTIONS ± 1/8

Date:	91.12.17	UNIT:	INCH	Material:	CA360 BRASS
Drawn:	Rita Sue	Scale:	1=1	Part Title:	3/4"MGH * 3/4"MALE PIP (1/2" FEMALE) RIGID
Checked:		PROJECT		PART NO.	30063
Approved:				DWG. NO.	

MIDLAND METAL MFG. CO.
 KANSAS CITY, MO