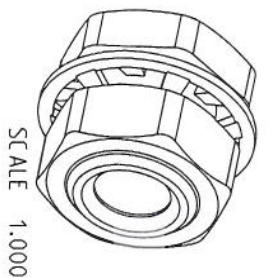
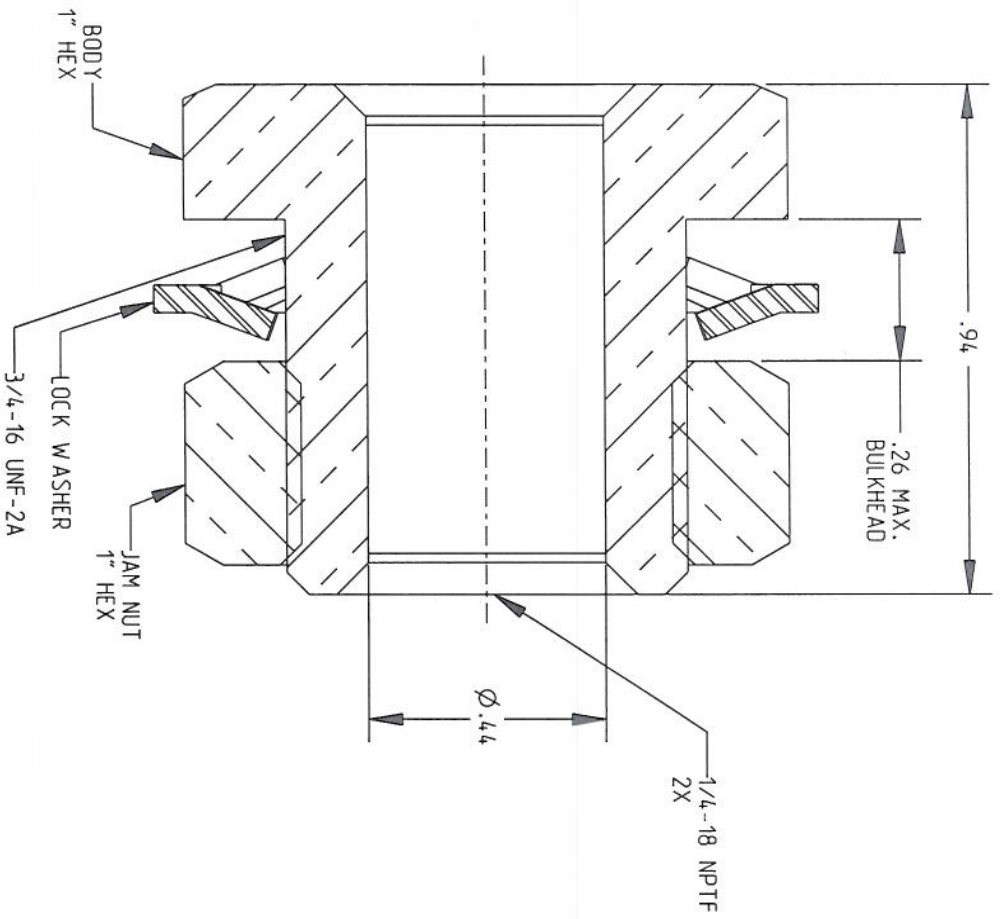


# CUSTOMER PRINT

*Weight .1293 each*



SCALE 1.000

MATERIAL

FINISH

TITLE

ANCHOR COUPLING

DRAWN

SIZE

PART NUMBER

REV.

BY

DATE

A

*28299*

F

DRC

5/97