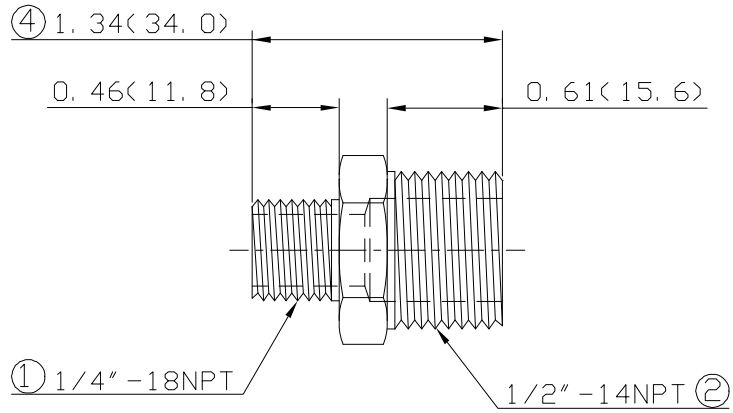
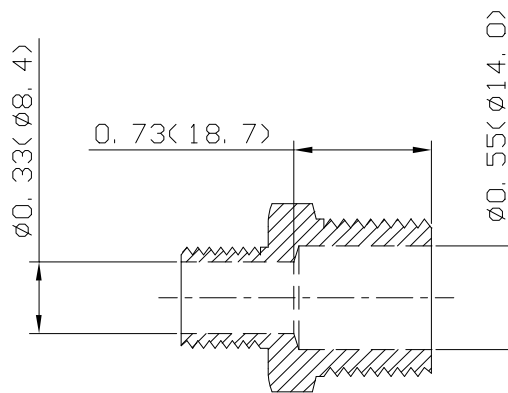
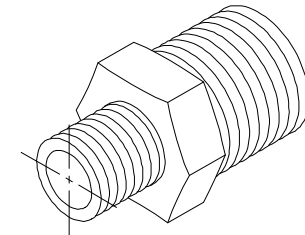


③ 7/8" (22.2)



① 1/4" -18NPT

1/2" -14NPT ②



①②③④ is the quality control point .

"This drawing contains proprietary and confidential information of Midland Metal Mfg., Co. and shall not be reproduced, copied, loaned, or submitted to outside parties for examination without our consent"

4			
3			
2			
1			
NO.	PCA	Date	Revision

TOLERANCES ARE:
 DECIMALS.
 .X:±0.03
 .XX:±0.01
 .XXX:±0.005
 ANGLES:±1°
 FRACTIONS ± 1/8

Date:	91.04.30	UNIT:	INCH	Material:	CA360 BRASS
Drawn:	Rita Sue	Scale:	1=1	Part Title:	1/2" * 1/4" REDUCING NIPF
Checked:		PROJECT		PART NO.	28223L
Approved:				DWG. NO.	
MIDLAND METAL MFG. CO.			KANSAS CITY, MO		