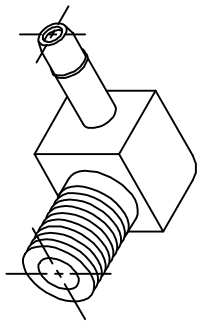
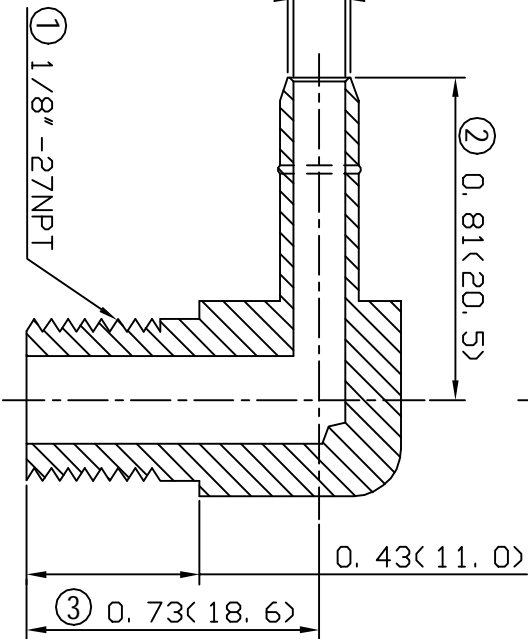


① ② ③ ④ ⑤ is the quality control point.



"This drawing contains proprietary and confidential information of Midland Metal Mfg., Co. and shall not be reproduced, copied, loaned, or submitted to outside parties for examination without our consent"

4				TOLERANCES ARE: DECIMALS: X:±0.03
3				.XX:±0.01
2				.XXX:±0.005
1			A	ANGLES:±1° FRACTIONS ± 1/8
NO.	PCA	Date	Revision	

Date:	05/06/08	UNIT:	INCH
Drawn:	Rita Sue	Scale:	2=1
Checked:		PROJECT	
Approved:			

MIDLAND METAL MFG. CO.
KANSAS CITY, MO

Material:	CA360 BRASS
Part Title:	1/4"O.D. TUBE * 1/8" MALE PIPE ELBOW
PART NO.	21113
DWG. NO.	