
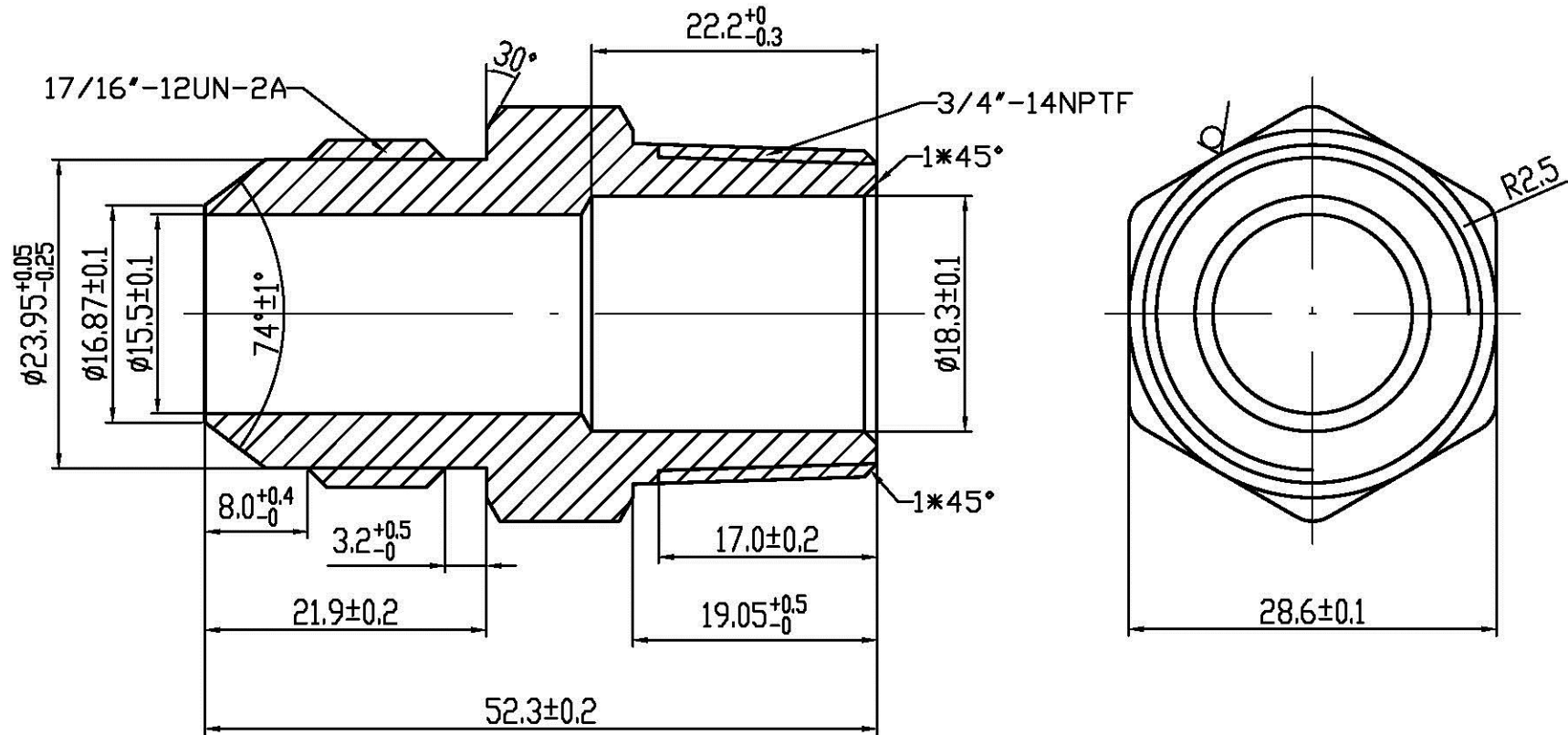



全部 
 未注倒角 0.5x45°



"This drawing contains proprietary and confidential information of Midland Metal Mfg., Co. and shall not be reproduced, copied, loaned, or submitted to outside parties for examination without our consent"				Date:		UNIT:	INCH	Material:		
				Drawn:		Scale:	1=1	Part Title:		
4				Checked:		PROJECT		PART NO.	10276	
3				Approved:				DWG. NO.		
2				MIDLAND METAL MFG. CO. KANSAS CITY, MO						
1										
NO.	PCA	Date	Revision	TOLERANCES ARE: DECIMALS. .X:±0.03 .XX:±0.01 .XXX:±0.005 ANGLES:±1° FRACTIONS ± 1/8						