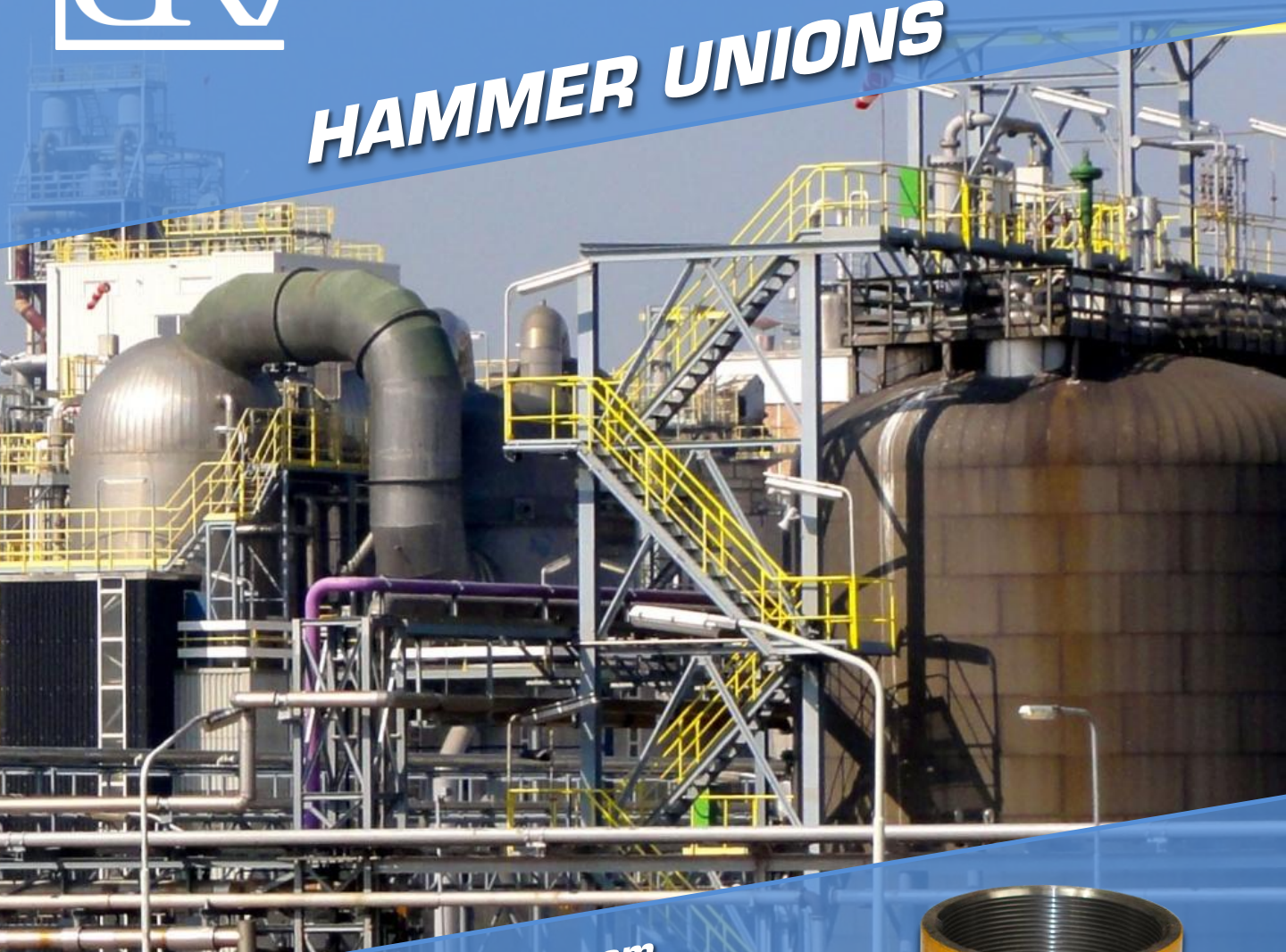
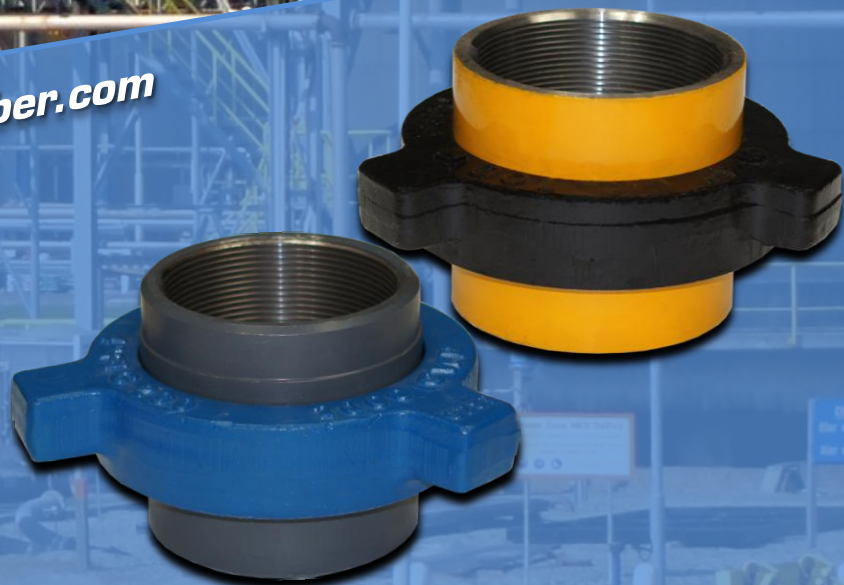




# HAMMER UNIONS



[www.buchananrubber.com](http://www.buchananrubber.com)



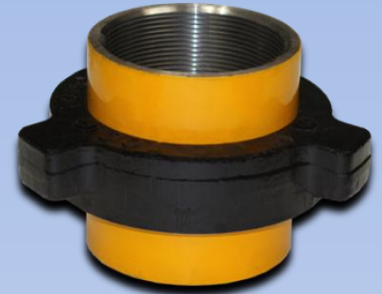
**P 1-888-775-HOSE (4673)**  
**[sales@buchananrubber.com](mailto:sales@buchananrubber.com)**

# HAMMER UNIONS

## FIG 100

*Economical and For use in water, oil and gas low pressure application up to 1,000 PSI. Color Coded with Yellow subs and black nut.*

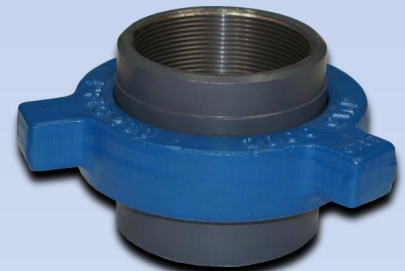
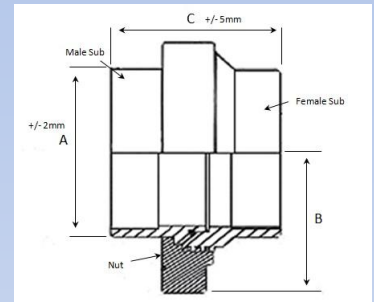
Part# FIG 100	Size (in)	A (in)	B (in)	C (in)
HAM100-200-SET	2	2.74	2.91	3.66
HAM100-300-SET	3	4.09	4.09	4.88
HAM100-400-SET	4	5.20	5.00	5.79
HAM100-600-SET	6	7.36	6.93	6.71
HAM100-800-SET	8	9.53	7.99	7.20
HAM100-1000-SET	10	11.50	8.69	9.09



## FIG 200/206

*Medium pressure for use in water, oil and gas application up to 2,000 PSI. Color Coded with grey subs and blue nut.*

Part# FIG 200	Size (in)	A (in)	B (in)	C (in)
HAM200-100-SET	1	1.59	1.97	2.56
HAM200-200-SET	2	2.80	2.91	3.54
HAM200-300-SET	3	4.17	3.90	4.53
HAM200-400-SET	4	5.24	4.53	4.96
HAM200-500-SET	5	6.38	5.75	6.02
HAM200-600-SET	6	7.50	6.06	6.65
Part# FIG 206				
HAM206-100-SET	1	1.59	1.97	2.56
HAM206-200-SET	2	2.80	2.91	3.54
HAM206-300-SET	3	4.17	3.90	4.53
HAM206-400-SET	4	5.24	4.53	4.96
HAM206-500-SET	5	6.38	5.75	6.02
HAM206-600-SET	6	7.50	6.06	6.65
HAM206-800-SET	8	9.57	7.18	7.15



*Buchanan Rubber hammer unions are interchangeable with other major manufacturers products.*

[www.buchananrubber.com](http://www.buchananrubber.com)

## TORONTO - MONTREAL - EDMONTON - HOUSTON

50 Fasken  
Dr,  
Toronto, ON  
M9W1K5

9555 Henri  
Bourassa W,  
St Laurent, QC  
H4S1S7

9547-12Ave  
SW,  
Edmonton, AB  
T6X0C3

5731 Harvey  
Wilson Dr,  
Houston, TX  
77020