

**SPECIALTY VALVES**

## BRASS FITTINGS

**BRASS TRUCK VALVES**

- Used in heavy duty truck, trailer and mobile markets.
- Used on water, oil and coolant lines.
- Forged brass construction with steel handle.
- Temperature range -40° - 250°
- Max pressure 250 psi
- Metal to metal seats for high heat/fluid compatibility
- Fine thread screw down to afford flow control ability and a positive seal.
- Not intended for natural gas, LPG, Nuclear or aircraft applications

**BARB TO MALE PIPE**

MIDLAND	AMC	CHAMPION	LIST	SIZE	MAF #	MAF PRICE
46450	08944-0606	HV1-6C		3/8 x 3/8	TV44-66	----
	08944-0806	HV1-8C		1/2 x 3/8	TV44-86	----
46451	08944-1006	HV1-10C		5/8 x 3/8	TV44-106	----
46455	08944-1008	HV1-10D		5/8 x 1/2	TV44-108	----
46457	08944-1206	HV1-12C		3/4 x 3/8	TV44-126	----
46456	08944-1208	HV1-12D		3/4 x 1/2	TV44-128	----

404V

**BARB TO MALE PIPE SPECIAL- PIN HANDLE**

MIDLAND	AMC	CHAMPION	LIST	SIZE	MAF #	MAF PRICE
	08947-0606			3/8 x 3/8	TV44PH-66	----
	08947-1006	HV1-PH-10C		5/8 x 3/8	TV44PH-106	----



WITH ROUND SILVER HANDLE						
MIDLAND	AMC	CHAMPION	LIST	SIZE	MAF #	MAF PRICE
		97V-10P		5/8 x 1/2		

**FEMALE TO MALE PIPE**

MIDLAND	AMC	CHAMPION	LIST	SIZE	MAF #	MAF PRICE
46465	08945-0606	1W-66		3/8 x 3/8	TV45-66	----
46466	08945-0608	1W-86		3/8 x 1/2	TV45-68	----
46467	08945-0808	1W-88		1/2 x 1/2	TV45-88	----

405V

**HOSE BARB TO MALE PIPE - ROUND HANDLE**

MIDLAND	AMC	CHAMPION	LIST	SIZE	MAF #	MAF PRICE
		HBV-6C		3/8 x 3/8		

**WARNING:** This product can expose you to chemicals, including lead, which are known to the State of California to cause cancer and birth defects or other reproductive harm. For more information, visit [www.P65Warnings.ca.gov](http://www.P65Warnings.ca.gov)

# SPECIALTY VALVES

## BRASS FITTINGS

### BRASS TRUCK VALVES

- Used in heavy duty truck, trailer and mobile markets.
- Used on water, oil and coolant lines.
- Forged brass construction with steel handle.
- Temperature range -40° - 250°
- Max pressure 250 psi
- Metal to metal seats for high heat/fluid compatibility
- Fine thread screw down to afford flow control ability and a positive seal.
- Not intended for natural gas, LPG, Nuclear or aircraft applications

#### FLARE TO MALE PIPE



TV49

MIDLAND	AMC	CHAMPION	LIST	SIZE	MAF #	MAF PRICE
	08949-0604			3/8 x 1/4	TV49-64	----
	08949-0606			3/8 x 3/8	TV49-66	----
	08949-0608			3/8 x 1/2	TV49-68	----
	08949-0806			1/2 x 3/8	TV49-86	----
46475	08949-0808	7814X8X8X90		1/2 x 1/2	TV49-88	----
46476	08949-1008	7814X8X90		5/8 x 1/2	TV49-108	----

409V

#### MIP X FLARE



TV412

MIDLAND	AMC	CHAMPION	LIST	SIZE	MAF #	MAF PRICE
46485	08942-1008	7814X8X90X1		1/2 x 5/8	TV412-108	

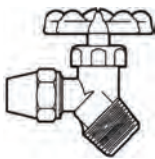
#### KANTLEAK 90° BALL VALVE - PIN HANDLE



MIDLAND	AMC	CHAMPION	LIST	SIZE	MAF #	MAF PRICE
		ABV1-B		1/4 x 1/4	190BV-4	
		ABV1-C		3/8 x 3/8	190BV-6	----
		ABV1-D		1/2 x 1/2	190BV-8	----

### OIL DRUM AND TANK VALVES

#### FLARE TUBE O.D. TO MALE PIPE 45° ELBOW



MIDLAND	AMC	CHAMPION	LIST	SIZE	MAF #	MAF PRICE
	09540-0606			3/8 x 3/8		
	09540-0608	5818X8		3/8 x 1/2	60V	
	09540-0612	5818X12		3/8 x 3/4	70V	
	09540-0808			1/2 x 1/2		
	09540-0812			1/2 x 3/4		

### PLASTIC DRUM FAUCETS

- Pipe threads to ANSI B1.20.1
- Hose threads to ANSI B

The FLO-RITE faucet has been engineered to meet the demand for greater chemical resistance, using linear polyethylene for the stem.



#### "FLO-RITE" DRUM FAUCET

PART #	SIZE	MAF PRICE
46277	3/4"	----

**WARNING:** This product can expose you to chemicals, including lead, which are known to the State of California to cause cancer and birth defects or other reproductive harm. For more information, visit [www.P65Warnings.ca.gov](http://www.P65Warnings.ca.gov)

BRASS

**SPECIALTY VALVES**

## BRASS FITTINGS

**DRUM & BARREL FAUCET VALVE**

- Die cast body w/ nylon seat and steel spring.
- For use with all petroleum products except trichlorethylene.

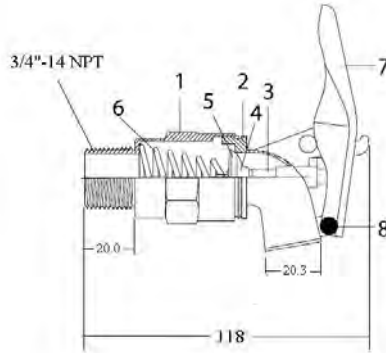


G261N

Not suitable for potable water

**SELF-CLOSING DRUM & BARREL FAUCET**

PART #	SIZE	
46270	3/4"	----



Part #	Part Name	Material
1	Body	Zinc
2	Bonnet	Zinc
3	Stem	Steel
4	Disc	Plastic
5	Seal	Rubber
6	Spring	Zinc plated steel
7	Handle	Aluminum
8	Rivet	Aluminum

**SOLID BOTTOM VALVES**

- Designed for instantaneous on-off operation.
- 360° rotation standard.
- 30 PSI
- Packed with grease.

**O-RING SEALED MIP X FIP**

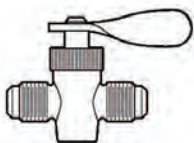
MIDLAND	AMC	CHAMPION	LIST	SIZE	MAF #	MAF PRICE
46400		103SD-2		1/8	170C-2	----
46401		103SD-4		1/4	170C-4	----
46402		103SD-6		3/8	170C-6	----

- Good for Propane

1035D M-70-SBV

**#M-72-SBV FIP X FIP**

MIDLAND	AMC	CHAMPION	LIST	SIZE	MAF #	MAF PRICE
46411		32SD		1/4	172C-4	----

**MALE FLARE X MALE FLARE**

MIDLAND	AMC	CHAMPION	LIST	SIZE	MAF #	MAF PRICE
		58SD		3/8	176C-6	----

**WARNING:** This product can expose you to chemicals, including lead, which are known to the State of California to cause cancer and birth defects or other reproductive harm. For more information, visit [www.P65Warnings.ca.gov](http://www.P65Warnings.ca.gov)



# SPECIALTY VALVES

## BRASS FITTINGS

### SOLID BOTTOM FUEL VALVES

- Approved for use on Motorcraft fuel lines.
- Pointer lever.
- 90° turn stop mechanism to assure positive location of the on and off positions.
- Corrosion proofed internal construction assures maximum salt atmosphere protection.
- Port hole is 1/4 (.250) diameter.
- UL listed for use in fuel oils no. 1 & no. 2, LP gas and utility gas.

#### MALE PIPE X FEMALE PIPE



MIDLAND	AMC	CHAMPION	LIST	SIZE	MAF #	MAF PRICE
46400M	09500-02	670C-J		1/8 x 1/8	M670C-2	----
46401M	09500-04	670C-L		1/4 x 1/4	M670C-4	----
46402M	09500-06	670C-N		3/8 x 3/8	M670C-6	----

8980

#### MALE PIPE X MALE PIPE



MIDLAND	AMC	CHAMPION	LIST	SIZE	MAF #	MAF PRICE
46406M	09501-04	77SD		1/4 x 1/4	M671C-4	----

- Good for Propane

8990

#### FEMALE PIPE X FEMALE PIPE



MIDLAND	AMC	CHAMPION	LIST	SIZE	MAF #	MAF PRICE
46411M	09502-04	672C-L		1/4 x 1/4	M672C-4	----

8975

#### MALE FLARE X MALE PIPE



MIDLAND	AMC	CHAMPION	LIST	SIZE	MAF #	MAF PRICE
	09505-0402			1/4 x 1/8	M675C-42	
	09505-0404			1/4 x 1/4	M675C-44	
46429M	09505-0604	675C-6L		3/8 x 1/4	M675C-64	----
46430M	09505-0606	675C-6N		3/8 x 3/8	M675C-66	----
	09505-0608			3/8 x 1/2		
	09505-0806			1/2 x 3/8		

8948

**WARNING:** This product can expose you to chemicals, including lead, which are known to the State of California to cause cancer and birth defects or other reproductive harm. For more information, visit [www.P65Warnings.ca.gov](http://www.P65Warnings.ca.gov)

BRASS