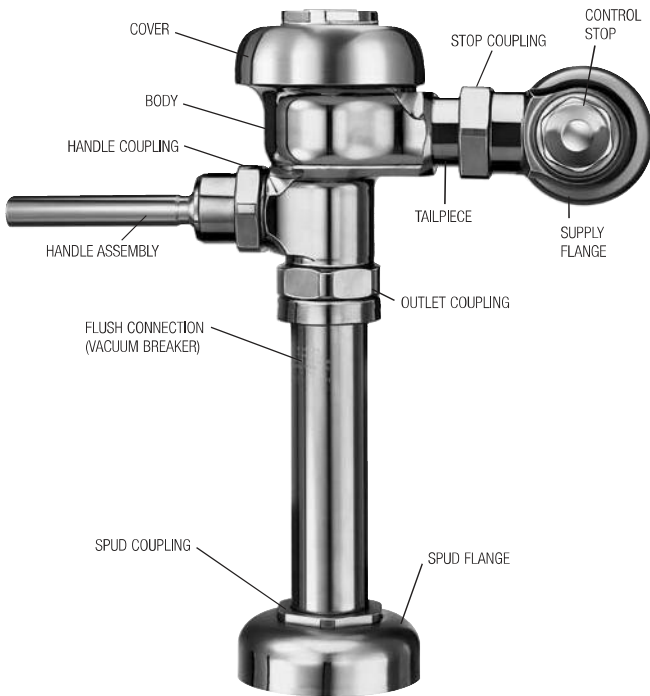


Regal® Flushometer

NOTE: Also for use with Regal® XL
(Since mid-2010)

Manual
Flushometers



MASTER FLUSHOMETER REBUILDING KITS (SEE PARTS LIST – ON PREVIOUS PAGE)

Refer to Parts List. Includes Items 7, 13, 16 & 20

| Code No. | Part No. | Description |
|----------------|----------|--|
| 3317001 | R-1001-A | Rebuild Kit (4.5 gpf/17.0 Lpf) Closet/Service Sink |
| 3317002 | R-1002-A | Rebuild Kit (1.5 gpf/5.7 Lpf) Urinal |
| 3317003 | R-1003-A | Rebuild Kit (3.5 gpf/13.2 Lpf) Closet |
| 3317004 | R-1004-A | Rebuild Kit (1.6 gpf/6.0 Lpf) Closet |
| 3317005 | R-1005-A | Rebuild Kit (1.0 gpf/3.8 Lpf) LC Urinal |
| 3317011 | R-1011-A | Rebuild Kit (0.5 gpf/1.9 Lpf) Urinal |
| 3317012 | R-1012-A | Rebuild Kit (2.4 gpf/9.0 Lpf) Closet |

REPAIR KIT WASHER SET (SEE PARTS LIST – ON PREVIOUS PAGE)

| | | |
|----------------|----------|--|
| 5301189 | A-156-AA | Repair Kit Washer Set – Includes: 4, 5, 8 & 14 |
|----------------|----------|--|

ITEM 7. INSIDE PARTS KITS (SEE ILLUSTRATIONS BELOW)

| Item No. | Code No. | Part No. | Application |
|----------|----------------|----------|---------------------------|
| A. | 3301036 | A-36-A | 4.5 gpf/17.0 Lpf - Closet |
| B. | 3301037 | A-37-A | 1.5 gpf/5.7 Lpf - Urinal |
| C. | 3301038 | A-38-A | 3.5 gpf/13.2 Lpf - Closet |
| D. | 3301041 | A-41-A | 1.6 gpf/6.0 Lpf - Closet |
| E. | 3301044 | A-42-A | 1.0 gpf/3.8 Lpf - Urinal |
| F. | 3301081 | A-43-A | 0.5 gpf/1.9 Lpf - Urinal |
| G. | 3301024 | A-44-A | 2.4 gpf/9.0 Lpf - Closet |

ITEM 7. INSIDE PARTS COMPONENTS (SEE ILLUSTRATIONS BELOW)

| Item No. | Code No. | Part No. | Description |
|----------|----------------|----------|--|
| 3A. | 5301058 | A-19-AC | Relief Valve, White (Closet) – 12 per pkg. |
| 3B. | 5301059 | A-19-AU | Relief Valve, Black (Urinal) – 12 per pkg. |
| 3C. | 5301211 | A-19-ALC | Relief Valve, Green (Closet/Urinal-LC) – 12 per pkg. |
| 3D. | 0301143 | A-19-AL | Relief Valve, Blue (9 Liter Closet) – 12 per pkg. |
| 4. | 5301111 | A-15-A | Disc – for all Inside Parts Kits – 12 per pkg. |
| 5. | 5301188 | A-156-A | Diaphragm – for all Inside Parts Kits – 12 per pkg. |
| 6A. | 5301236 | A-163-A | Guide Assembly 4.5 gpf/17.0 Lpf Closet & 1.5 gpf/5.7 Lpf Urinal – 12 per package |
| 6B. | 5301032 | A-152-A | Guide Assembly 3.5 gpf/13.2 Lpf Closet – 12 per package |
| 6C. | 5301031 | A-151-A | Guide Assembly 1.6 gpf/6.0 Lpf LC Closet – 12 per package |
| 6D. | 5301155 | A-155-A | Guide Assembly 1.0 gpf/3.8 Lpf LC Urinal – 12 per package |
| 6E. | 5301157 | A-157-A | Guide Assembly 0.5 gpf/1.9 Lpf Urinal – 12 per package |

