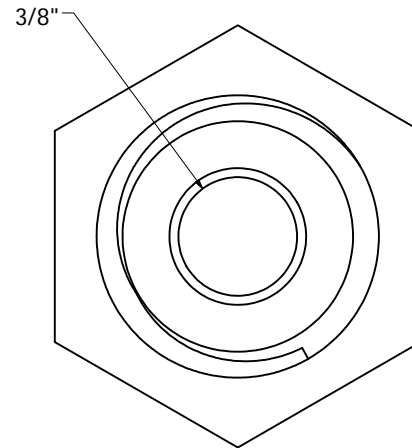
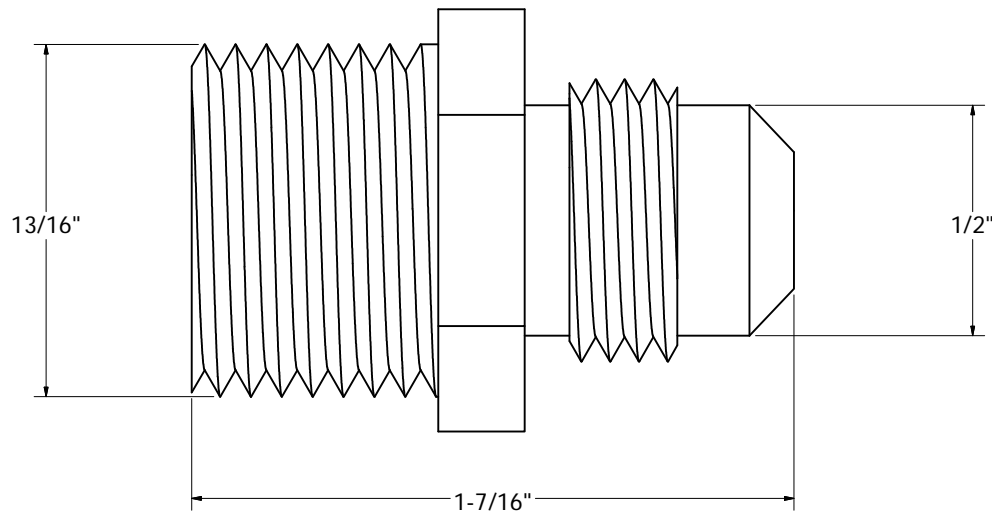
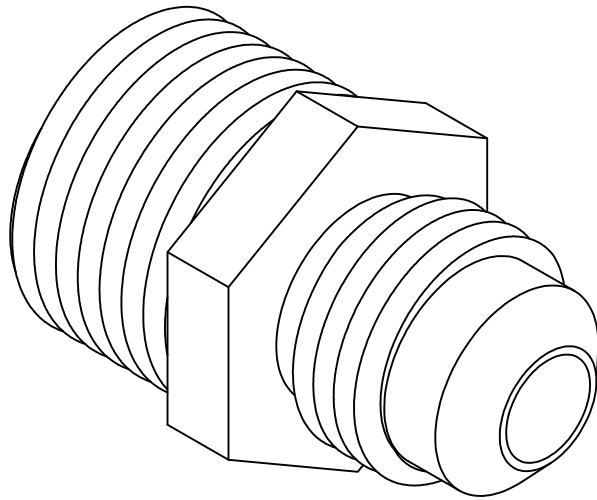


FLARE X MIP HALF UNION PLUMBEST 45° FLARE TUBE FITTINGS



PHONE NUMBER
1-800-355-6637
FAX NUMBER
1-800-462-6991
SCALE
4.5 : 1
DATE
5-04-12
SHEET
1 OF 1
DRAWN BY
ASHLEY KRALOVEC

PART NO.	F40109	F40076	F40077	
TUBE X MIP	5/8" X 3/8"	5/8" X 1/2"	5/8" X 3/4"	