

**A172.8-UG-SOC Series**

**BASE MODEL A172408F-UG-SOC**

CONCEALED SENSOR OPERATED, BARRIER-FREE,  
WALL MOUNTED UNIVERSAL BI-LEVEL WATER COOLER  
WITH SENSOR OPERATED BOTTLE FILLER OPTION

**STANDARD FEATURES**

**Electric Water Cooler**

- Rough-Ins Match Other Manufacturer's for Easy Replacement
- Hands-Free Sensor with Easy Reach, Wave-on / Wave-off Operation
- Sensor with maximum run time of 10 seconds or less
- Apron and One-Piece Bottom Wrapper is Satin Finish Or Gray Powder Coat Finish
- Flexible, Low Flow, Antimicrobial, Anti-Rotation, Non-Squirt Bubbler
- Universal Bi-level Can Be Installed Left High Or Right High With No Additional Parts
- Lead Free

**Bottle Filler (Optional)**

- Hands-Free Sensor Operation
- ADA Compliant
- 100-Mesh Inlet Strainer
- 120VAC/9.0VDC Plug-In Transformer, With -BF12 Only
- Laminar Flow Water Supply
- 1 GPM Fill Rate
- -BF12 Sensor Has a 20 Seconds Maximum Run Time

**SUGGESTED SPECIFICATIONS**

**Electric Water Cooler**

Model A172108F-UG-SOC-BF is a self-contained, Bi-Level, Concealed Sensor Operated Water Cooler that delivers a minimum of 8.0 GPH (30.3 LPH) of water at 50°F (10°C) cooled from 80°F (26.7°C) inlet water and 90°F (32.2°C) ambient. Unit shall be activated by a 9 Volt Infrared Sensor concealed beneath basin skirt for wave-on and wave-off operation. Bubbler shall deliver a 0.3 GPM flow with maximum run time of 10 seconds. Provide Antimicrobial Flexible Guard with an integrally designed non-squirt feature and operate on a water pressure range of 20-105 PSIG. Basin shall be constructed from 304 Stainless Steel and have an Integral Drain. Cabinet shall be either Galvanized or Galvannealed Steel with Gray Powder Coat Finish or Stainless Steel with Satin Finish. Cooling system shall use R-134a Refrigerant and be Capillary Tube regulated. Unit shall be listed by Underwriters Laboratories for both the US and Canada and is to be compliant to ANSI/ASHRAE 18. Unit shall be certified to Public Law 111-380 (NO-LEAD) and NSF/ANSI/CAN 61. Fixture meets ADA, ADA Standing Person, and ADA Child requirements when mounted appropriately. Unit shall still deliver ambient water temperature to the Bubbler in the absence of electrical power as long as there is a pressurized water supply.

**Bottle Filler -BF12 (Optional)**

Bottle Filling unit shall include Sensor Operated activation with a 20 second maximum run time. LED Lights illuminate the Bottle Fill area and brighten when a bottle is detected. Optional -BCD (Bottle Counter Display) indicates the quantity of 16 oz disposable Plastic Bottles saved from a land fill and also displays the Water Filter status.

Bottle Filler housing construction will be 20 gauge Stainless Steel with a satin finish and will also include components manufactured from Antimicrobial, impact resistant ABS. Bottle Filler shall provide approximately 1 GPM flow rate with a Laminar Flow Spout to minimize splashing.



Model A172108F-UG-SOC-BF12 Shown  
PATENT# D873,606

**“RATED FOR INDOOR USE ONLY”**

Model Number	GPH*	Rated Watts	Full Load Amps	Approx. Shipping Weight
A172408F-UG-SOC	8.0	335	4.1	178 lbs.

\* GPH of 50°F water at 90°F ambient room temperature and 80°F inlet water temperature  
Compressor motor operates on 115 Volt / 60 Hz single phase.

**MODEL:**

(Must Specify Water Cooler)

**FLEXIBLE BUBBLER**

- A172108F-UG-SOC Gray Finish Cooler
- A172408F-UG-SOC Satin Stainless Finish

**STAINLESS STEEL BUBBLER**

- A172108S-UG-SOC Gray Finish Cooler
- A172408S-UG-SOC Satin Stainless Finish

**OPTIONS:**

(Additional costs may apply.)

- LOGO Customer Specified Logo / Graphics
- 220V 220 Volt / 50 Hz or 60Hz Compressor

**ACCESSORIES & BOTTLE FILLERS** Satin Finish (only):

(Additional costs may apply. Accessory items are packaged separately.)

- BF12 Bottle Filler with Sensor Operation <sup>1</sup>
- BF12-BAT Bottle Filler with Battery Operated Sensor Operation <sup>1</sup>
- BF12-BCD Bottle Filler with Sensor Operation with Bottle Counter Display <sup>1</sup>
- WF1 1500-Gallon Capacity Water Filter <sup>1</sup>
- WF3 3000-Gallon Capacity Water Filter <sup>1</sup>
- SK5 Cane Detection Skirt for Upper Unit <sup>1</sup>  
Skirt finish provided to match Model selected above (P.N. A000G000-SK5 Gray, A0004000-SK5 Satin Stainless)

**NOTES:**

1 - Refer to Supplemental Submittal Sheet for Details.

**Compatible Mounting Support Carrier**

Jay R. Smith Mfg. Co. Figure # 0834-4P <https://www.JRSmith.com>

Complies with the following standards:



NSF/ANSI/CAN 61

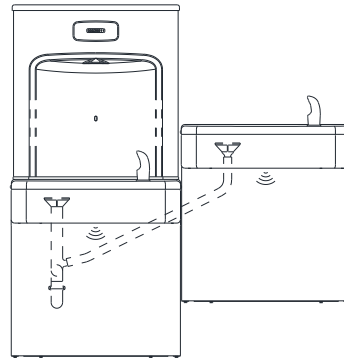
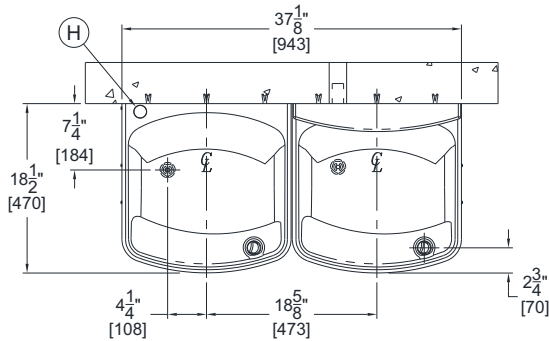
ANSI/ASHRAE 18

**WARNING:** Cancer and Reproductive Harm - [www.P65Warnings.ca.gov](http://www.P65Warnings.ca.gov)

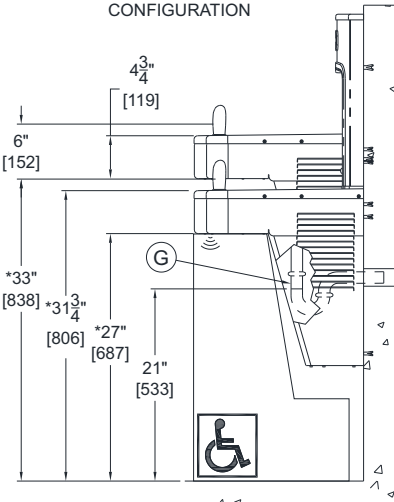
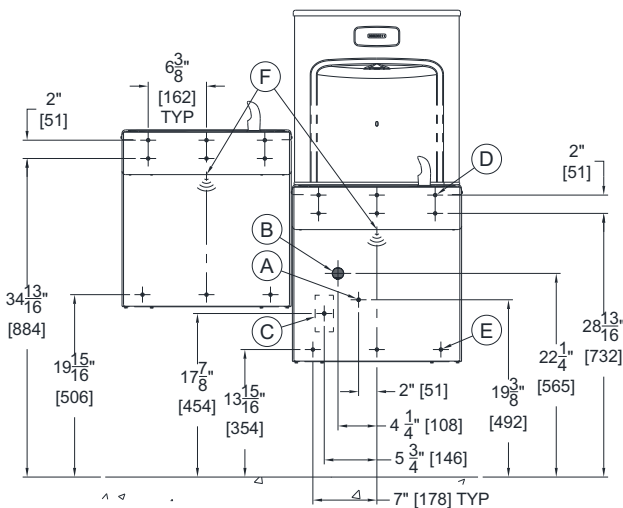
**A172.8-UG-SOC-BF Series**

**BASE MODEL A172408F-UG-SOC**

CONCEALED SENSOR OPERATED, BARRIER-FREE,  
WALL MOUNTED UNIVERSAL BI-LEVEL WATER COOLER  
WITH SENSOR OPERATED BOTTLE FILLER OPTION



ALTERNATE MOUNTING CONFIGURATION



GENERAL NOTES:

1. ALL DIMENSIONS ARE IN INCHES [MM]
2. ALLOW 4 INCHES [102MM] MINIMUM CLEARANCE PER SIDE FOR VENTILATION
- \*3. DIMENSIONS SHOWN ARE FOR ADA ADULT HEIGHT. ADJUST VERTICAL DIMENSIONS AS NECESSARY TO COMPLY WITH FEDERAL, STATE & LOCAL CODES
4. STOP VALVE, P-TRAP & ELECTRICAL OUTLET NOT SUPPLIED
5. IMPORTANT: COOLERS MUST BE ATTACHED TO WALL WITH APPROPRIATE ANCHOR SCREWS

- A. 3/8" O.D. SUPPLY INLET
- B. WASTE OUTLET FOR P-TRAP BY OTHERS FOR PROVIDED 1-1/4" O.D. TAILPIECE
- C. ELECTRICAL SERVICE ROUGH
- D. Ø3/8" HANGER BRACKET PUNCHING, 6 PLACES FOR ANCHORING HARDWARE BY OTHERS
- E. Ø1/4" PUNCHING, 2 PLACES FOR ANCHORING HARDWARE, BY OTHERS
- F. DRINKING FOUNTAIN CONCEALED SENSORS
- G. 1-1/4" [32] O.D. TAILPIECE FOR P-TRAP BY OTHERS
- H. REMOVABLE PLUG FOR BOTTLE FILLER (-BF11 OR -BF12 ONLY)

**IMPORTANT: Dimensions are shown for reference only. Refer to product Installation Manual for complete details prior to Rough-in.**

SELECTION SUMMARY & APPROVAL FOR MANUFACTURING

Model Number & Options \_\_\_\_\_ Quantity \_\_\_\_\_

Company \_\_\_\_\_

Contact \_\_\_\_\_ Title \_\_\_\_\_

Signature (Approval for Manufacturing) \_\_\_\_\_ Date \_\_\_\_\_

All dimensions are subject to manufactures tolerance of plus or minus 1/4" nominal and subject to change without notice. Murdock<sup>®</sup> assumes no responsibility for use of void or superseded data. Dimensions may change with the addition of optional accessories. Murdock<sup>®</sup> Mfg., Member of Morris Group International<sup>®</sup>. Please visit [www.murdockmfg.com](http://www.murdockmfg.com) for most current specifications.