



**Reduces lint accumulation in the ductwork and dryer vent.**

Clothes dryer lint is combustible. Given the right conditions, it can self-ignite. The lint trap **DBLT 4W** installed on the exhaust duct helps reduce the risk of fire.

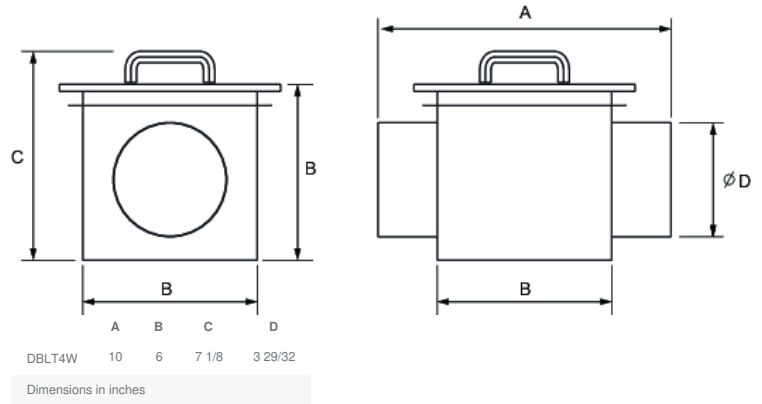
- Reduces lint accumulation in the ductwork and dryer vent
- Minimizes the risk of a dryer fire
- Suitable for a 4" duct
- Designed to use with a DEDPV or dryer exhaust fan
- Designed to use with residential electric dryers only

[Find more details in our online catalogue](#)

**Technical parameters**

Dimensions and weights	
Diameter Ø	4 in.
Weight	2.3 lb
Optional	
Duct connection type	Circular

**Dimensions**



**Documents**

E1939 Ventilation Solutions Laundries EN  
450224 DBLT4W IOM EN