



# ZTR Series Sensor Flush Valve

Dependable and efficient, flush after flush.

It's essential to be on point, but steady wins the race. Our ZTR Sensor Flush Valve product line has a true sense for users, so you get consistent results every time. The valve's solenoid activated piston delivers dependable performance, flush after flush. The smart sensor technology covers a precise range. There's no delay or ghost flush, ultimately saving you water costs and enhancing the user experience. Plus, when matched with Zurn fixtures, this seamless solution goes the distance in evacuation, while optimizing water efficiency.



## Durable

ZTR Sensor Flush is built to last. Crafted of dezincification resistant brass alloy and chemical resistant internals, ZTR stands up to harsh water conditions and cleaners. Its metal vandal resistant top cap and control stop are robust enough to handle wear and tear in high traffic conditions. Looks aren't comprised by toughness. Its polished-chrome body adds a sleek aesthetic to any restroom environment.



## Adaptable

For new construction or retrofit projects, ZTR Sensor Flush Valve works in ranging restroom applications as part of a water closet or urinal system. The standard dimensions make it easy for contractors to install. The valve can be adjusted to various pressures and water quality, based on your building requirements.



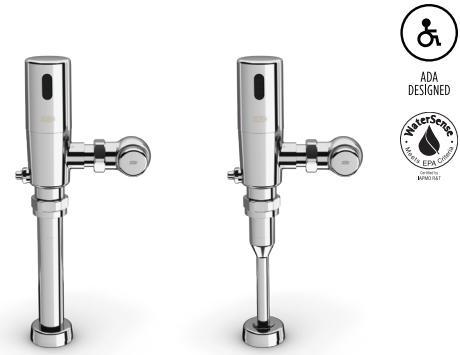
## Efficient

The product line ranges from 1.1 gpf water closets to 0.125 gpf urinal systems. When paired with 1.1 gpf wall bowl system, the entire solution conserves 31 percent more water than 1.6 gpf systems and evacuates waste over two times the distance compared to 1.28 gpf systems in line carry tests. To reduce maintenance, there's a 10-year battery life option.

*Get a better sense for a better flush, every time.*

# ZTR Series Sensor Flush Valves

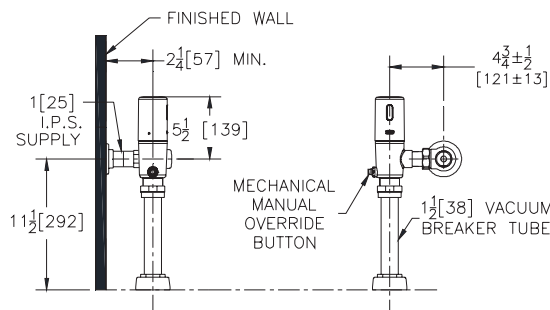
ZTR-LL Long Life Sensor Flush Valve Series for water closets and urinals is a sustainable, advanced-technology expansion of the ZTR product line, delivering an extended 10-year battery life for advanced performance. The ZTR Long Life Series flush valve is equipped with a low-powered sensor platform featuring software and electronics capable of accepting long life battery technology. The ZTR-LL Series results in a reduced number of battery changes over the life of the valve by two-thirds, compared with traditional battery powered valves. When matched with Zurn fixtures, the ZTR-LL paired performance results in a repeatable flushing system with unsurpassed water savings and lower lifecycle cost.



## Water Closets

ZTR SERIES	ZTR-LL SERIES
ZTR6200-WS1 – 1.6 gpf	ZTR6200-WS1-LL – 1.6 gpf
ZTR6200EV – 1.28 gpf	ZTR6200EV-LL – 1.28 gpf
ZTR6200-ONE – 1.1 gpf*	ZTR6200-ONE-LL – 1.1 gpf*

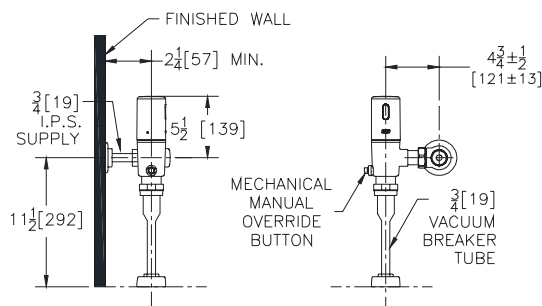
\*(Sold only as a complete system)



## Urinals

ZTR SERIES	ZTR-LL SERIES
ZTR6203-WS1 – 1.0 gpf	ZTR6200-WS1-LL – 1.0 gpf
ZTR6203EV – 0.5 gpf	ZTR6200EV-LL – 0.5 gpf
ZTR6203-QRT – 0.25 gpf*	ZTR6203-QRT-LL – 0.25 gpf*
ZTR6203-ULF – 0.125 gpf	ZTR6203-ULF-LL – 0.125 gpf

\*(Sold only as a complete system)



## Engineering Specifications

- Exposed chrome plated flushometer valve with a polished robust metal cap exterior.
- Clog-resistant, filtered bypass piston
- True manual override button
- Proprietary dezincification resistant brass alloy
- Power source
  - Sensor powered by 4 “AA” batteries
  - 10-year battery, long life -LL
- Control stop
  - Internal siphon-guard protection
  - Vandal-resistant stop cap
  - Sweat solder kit
  - Cast wall flange with setscrew
- High pressure vacuum breaker
- One-piece hex coupling nut
- Chloramine-resistant internal seals and gaskets
- Adjustable tailpiece
- Spud coupling and flange for top spud connection
- 3-year warranty

## Accessories

- LL 10-year Long Life Battery
- HW Hardwired
- YJ Split Ring Pipe Support
- YK Solid Ring Pipe Support
- YO Bumper on Angle Stop
- \_\_ Other

**NOTE:** Performance guaranteed with Zurn EcoVantage® fixtures. Please consult Zurn Technical Services at 1-800-997-3876 to discuss the paired performance of this valve with other manufacturers’ fixtures.

## Recommended Vitreous

Wall Bowl	Z5615-BWL
Floor Bowl	Z5665-BWL1
ADA Floor Bowl	Z5665-BWL1
Omni-Flo™ Urinal	Z5755-U

ZURN INDUSTRIES, LLC Finish Plumbing Operation

5900 Elwin Buchanan Drive, Sanford, NC 27330, 855.663.9876

In Canada: ZURN INDUSTRIES LIMITED 7900 Goreway Drive, Unit 10, Brampton, Ontario L6T 5W6, 877.892.5216

Form No. 240-075, 8/18



US 1.855.ONE.ZURN CANADA 1.877.892.5216 ZURN.COM