

# PEM Economy Gauge

Economy



## Description & Features:

- Most economical, all-purpose pressure gauge
- 1.5" (40mm) to 4" (100mm) sizes
- Friction bezel rings
- Black steel case
- Brass internals
- $\pm 3-2-3\%$  accuracy
- CRN registered
- 5 year warranty

## Applications:

- Plumbing, heating, air conditioning, pneumatic, hydraulic, water tanks, air compressors, OEM

## Specifications

<b>Dial</b>	1.5" (40mm), 2" (50mm), 2.5" (63mm), 4" (100mm) white aluminum with black and red markings
<b>Case</b>	Steel, painted black (plastic available)
<b>Lens</b>	1.5" (40mm), 2" (50mm), 2.5" (63mm): Polycarbonate 4" (100mm): Glass
<b>Ring</b>	1.5" (40mm), 2" (50mm): Steel, painted black 2.5" (63mm), 4" (100mm): Steel, chrome plated
<b>Socket</b>	Brass
<b>Connection</b>	$\frac{1}{8}$ " NPT or $\frac{1}{4}$ " NPT standard
<b>Bourdon Tube</b>	Phosphor bronze
<b>Movement</b>	Brass
<b>Pointer</b>	Aluminum, black
<b>Welding</b>	Silver alloy
<b>Over-Pressure Limit</b>	25% of full scale value
<b>Working Pressure</b>	Maximum 75% of full scale value
<b>Ambient/Process Temperature</b>	-40°F to 150°F (-40°C to 65°C)
<b>Accuracy</b>	$\pm 3-2-3\%$ ANSI/ASME Grade B
<b>Enclosure Rating</b>	IP52

## Order Codes (products in bold are normally in stock)

Dial Size	1.5" (40mm)		2" (50mm)					2.5" (63mm)		4" (100mm)
	<sup>1/8"</sup> Bottom	<sup>1/8"</sup> Centre Back	<sup>1/8"</sup> Bottom	<sup>1/8"</sup> Centre Back	<sup>1/4"</sup> Bottom	<sup>1/4"</sup> psi Only Bottom	<sup>1/4"</sup> Centre Back	<sup>1/4"</sup> Bottom	<sup>1/4"</sup> Centre Back	<sup>1/4"</sup> Bottom
Case Material	Steel	Steel	Steel	Steel	Steel	Plastic	Steel	Steel	Steel	Steel
30" Hg Vac/kPa	<b>PEM1297</b>	<b>PEM1397</b>	<b>PEM195</b>	<b>PEM1424</b>	<b>PEM135</b>	<b>PEM1398</b>	<b>PEM1428</b>	<b>PEM210</b>	<b>PEM1431</b>	<b>PEM220</b>
30"/0/15 psi/kPa	-	-	-	-	-	-	-	<b>PEM152</b>	-	-
30"/0/30 psi/kPa	-	-	-	-	-	-	-	<b>PEM153</b>	-	-
30"/0/60 psi/kPa	-	-	-	-	-	-	-	<b>PEM154</b>	-	-
30"/0/100 psi/kPa	-	-	-	-	-	-	-	<b>PEM155</b>	-	-
0/15 psi/kPa	<b>PEM1299</b>	<b>PEM1399</b>	<b>PEM196</b>	<b>PEM1425</b>	<b>PEM136</b>	-	<b>PEM1429</b>	<b>PEM211</b>	<b>PEM1436</b>	-
0/30 psi/kPa	<b>PEM1300</b>	<b>PEM1400</b>	<b>PEM206</b>	<b>PEM1402</b>	<b>PEM199</b>	<b>PEM200</b>	<b>PEM1403</b>	<b>PEM212</b>	<b>PEM1437</b>	<b>PEM221</b>
0/60 psi/kPa	<b>PEM1301</b>	<b>PEM1401</b>	<b>PEM207</b>	<b>PEM1404</b>	<b>PEM201</b>	<b>PEM194</b>	<b>PEM1405</b>	<b>PEM213</b>	<b>PEM1438</b>	<b>PEM222</b>
0/100 psi/kPa	<b>PEM1320</b>	<b>PEM1420</b>	<b>PEM208</b>	<b>PEM1406</b>	<b>PEM202</b>	-	<b>PEM1407</b>	<b>PEM214</b>	<b>PEM1439</b>	<b>PEM223</b>
0/160 psi/kPa	<b>PEM1321</b>	<b>PEM1421</b>	<b>PEM197</b>	<b>PEM1408</b>	<b>PEM203</b>	-	<b>PEM1409</b>	<b>PEM215</b>	<b>PEM1440</b>	<b>PEM224</b>
0/200 psi/kPa	<b>PEM1322</b>	<b>PEM1422</b>	<b>PEM209</b>	<b>PEM1426</b>	<b>PEM204</b>	-	<b>PEM1410</b>	<b>PEM216</b>	<b>PEM1441</b>	<b>PEM225</b>
0/300 psi/kPa	<b>PEM1323</b>	<b>PEM1423</b>	<b>PEM198</b>	<b>PEM1427</b>	<b>PEM205</b>	-	<b>PEM1411</b>	<b>PEM217</b>	<b>PEM1442</b>	<b>PEM226</b>
0/400 psi/kPa	-	-	-	-	-	-	-	<b>PEM219</b>	-	-
0/600 psi/kPa	-	-	-	-	-	-	-	<b>PEM218</b>	<b>PEM3413</b>	-
0/1,000 psi/kPa	-	-	-	-	-	-	-	<b>PEM290</b>	-	-
0/3,000 psi/kPa	-	-	-	-	-	-	-	<b>PEM291</b>	-	-
0/5,000 psi/kPa	-	-	-	-	-	-	-	<b>PEM292</b>	-	-

Other ranges and connection sizes available upon request. For scale change, refer to How to Order Guide for scale codes. Lead free construction available. **For options, attach suffix to end of order code: i.e. PEM1399-GL15 for 1.5" GLASS LENS.**

**Option suffix:**

GL15 = glass lens for 1.5" dial

GL2= glass lens for 2" dial

GL25 = glass lens for 2.5" dial

ECASE15SS BK = 1.5" SS back case connection

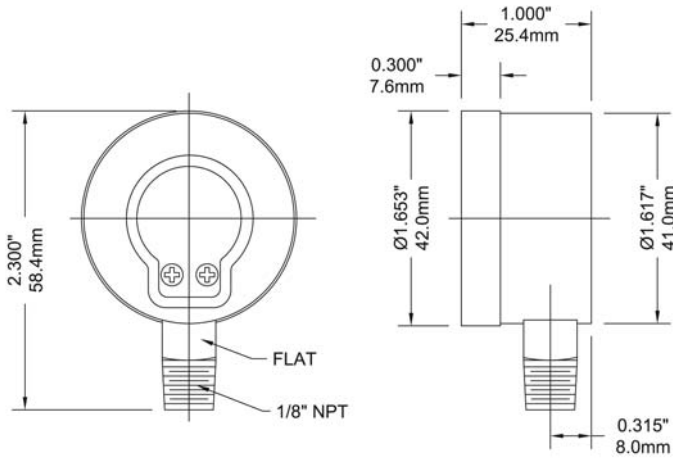
ECASE15SS BTM = 1.5" SS bottom connection

ECASE20SSBK = 2" SS Case back connection

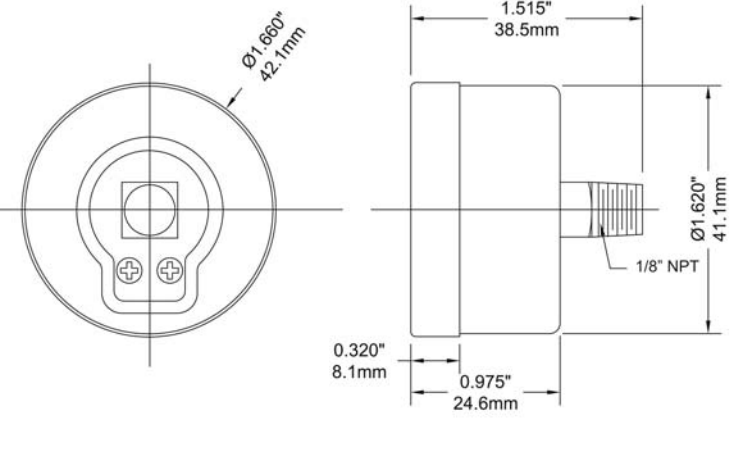
ECASE20SSBTM = 2" SS Case bottom connection

Note: For 1.5" to 2" SS internals, please see PRL Series Regulator Gauges.

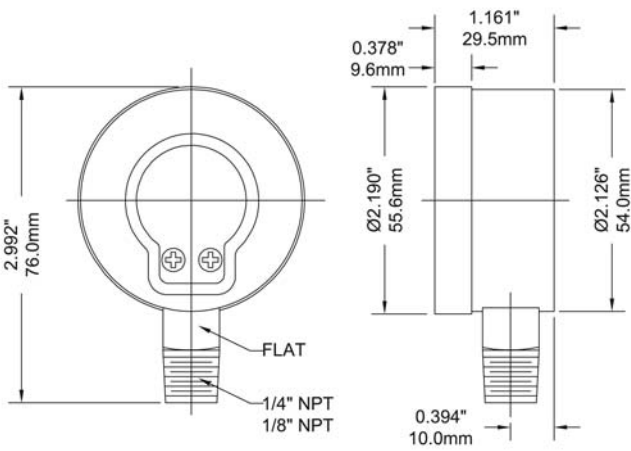
## 1.5" Bottom Connection



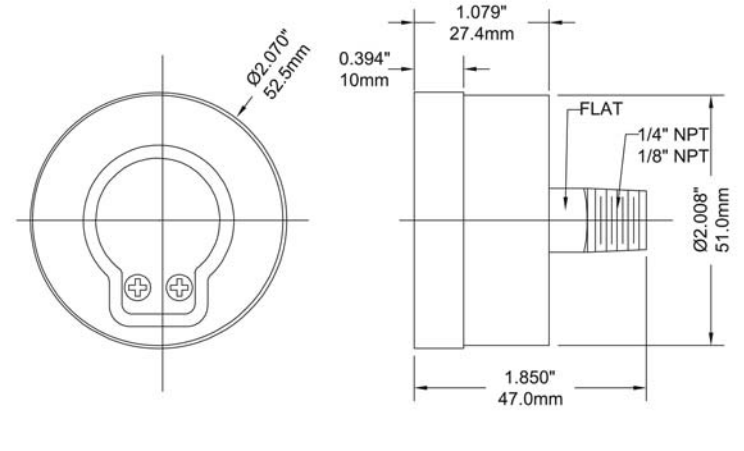
## 1.5" Back Connection



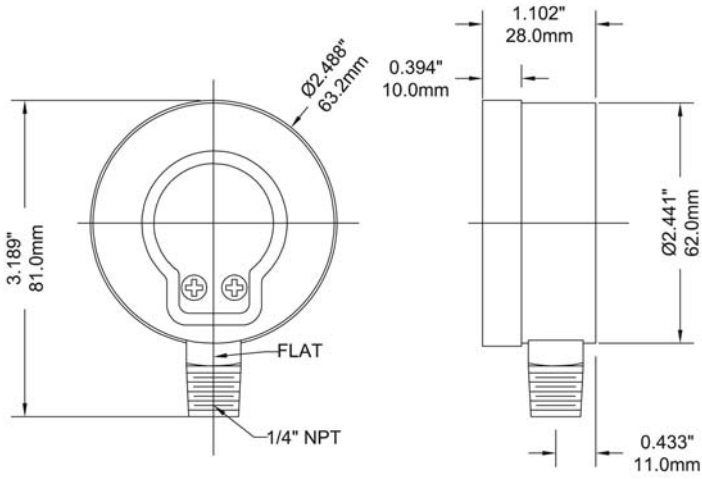
## 2" Bottom Connection



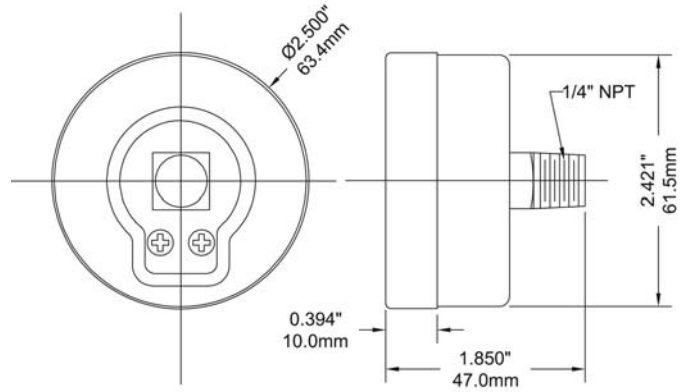
## 2" Back Connection



2.5" Bottom Connection



2.5" Back Connection



4" Bottom Connection

