

WILLIAMS Comfort Products

Exploded Views and Replacement Parts List

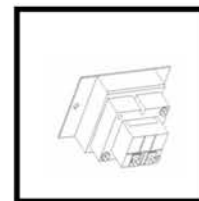
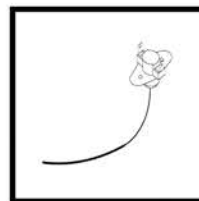
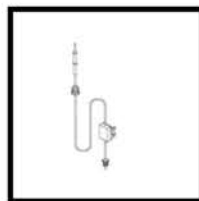
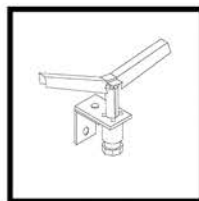
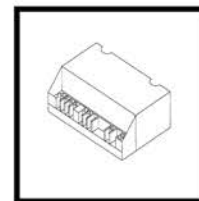
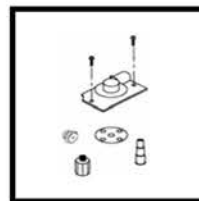
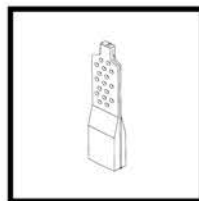
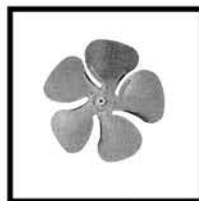


Table of Contents

Monterey Top-Vent Furnaces

25098, 35098 and 50098 Series 1-8

Direct-Vent Wall Furnaces

14038, 22038, and 30036 Series 9-15

Forsaire Counterflow Top-Vent Furnaces

350 Series 16-19

500, 550 and 650 Series 20-23

Forsaire Counterflow Direct-Vent Furnaces

400 Series 24-27

550 and 600 Series 28-33

Forsaire Magnum Top-Vent Furnace 34-36

Forsaire Counterflow Electric Furnace 37-38

Enclosed Vented Room Heaters

200 Series 39-40

350, 500 and 650 Series 41-42

Fireplace-Look Vented Room Heaters

350, 500 and 650 Series 43-45

Floor Furnaces 46-47

Blue-Flame Vent-Free Heaters

Models: 065, 105, 205 and 305 48-50

Models: 108, 208 and 308 51-54

Models: 109, 209 and 309 55-57

Infrared Vent-Free Heaters

Models: 1096513 and 3096513 58-60

Models: 128, 208 and 308 61

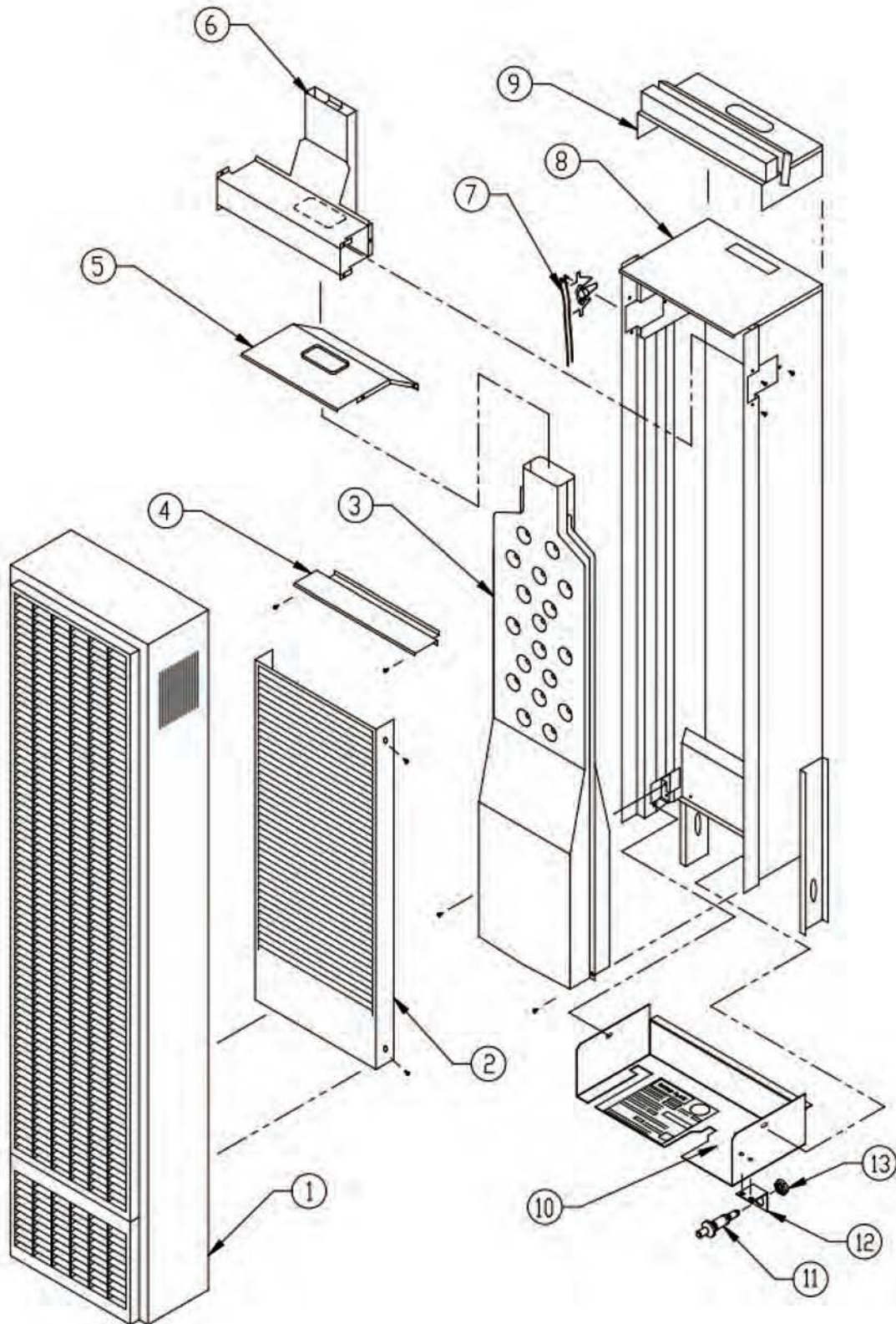
Models: 168, 188, 268 and 308 62-65

Burner Orifice Sizing Chart 66-67

Obsolete Furnace Models Replacement Models 68-69

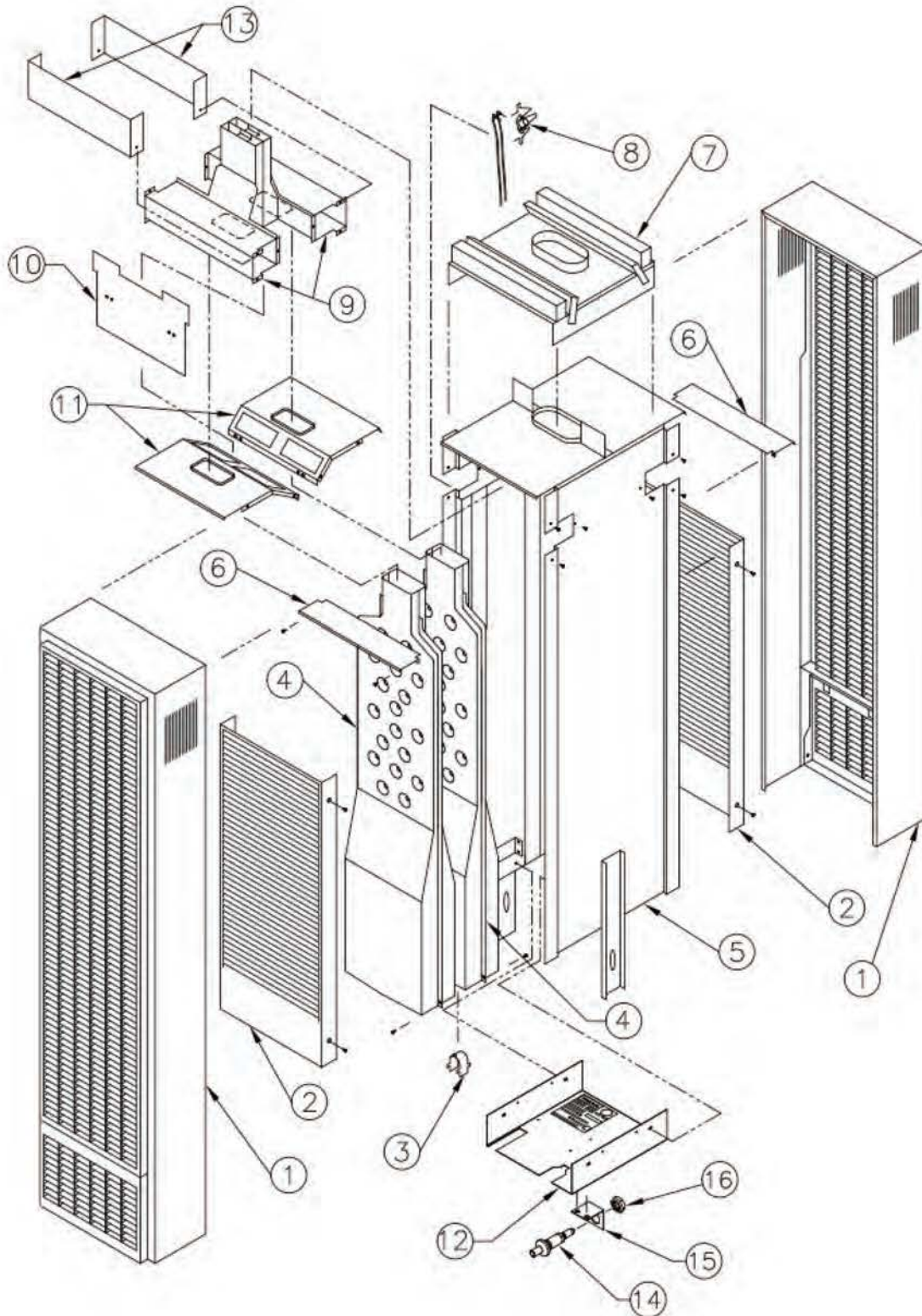
Monterey Top-Vent Furnace

Model Numbers: 2509821, 2509822, 2519821, 2519822, 2539821, 2539822, 2559821, 2559822, 3509821, 3509822, 3519821, 3519822, 3539821, 3539822, 3559821, 3559822,



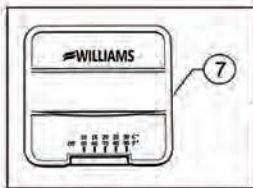
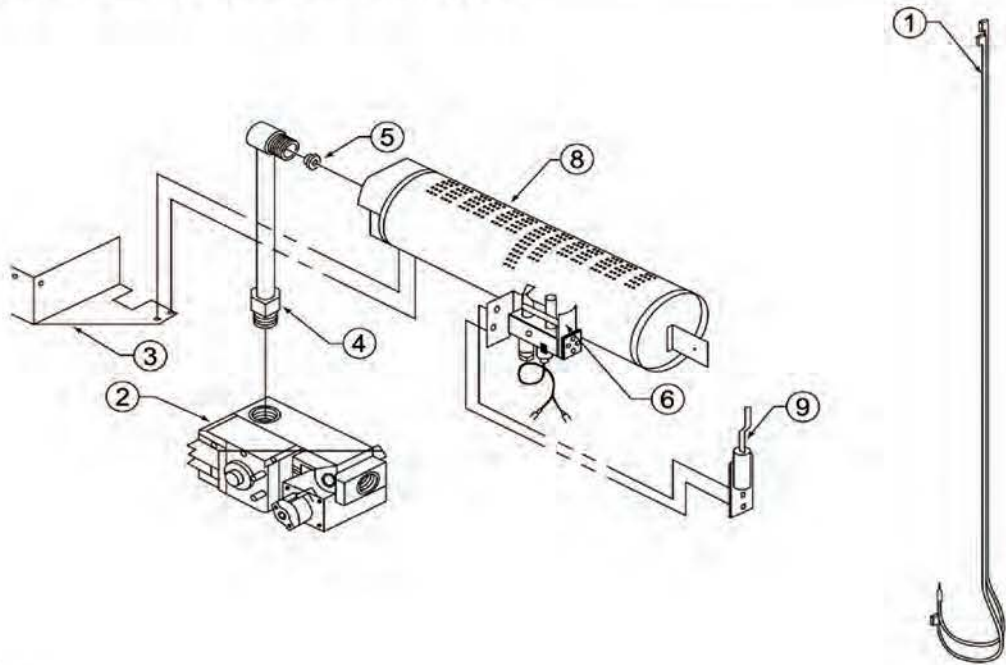
Monterey Top-Vent Furnace

Model Numbers: 5009821, 5009822, 5019821, 5019822, 5039821, 5039822, 5059821, 5059822



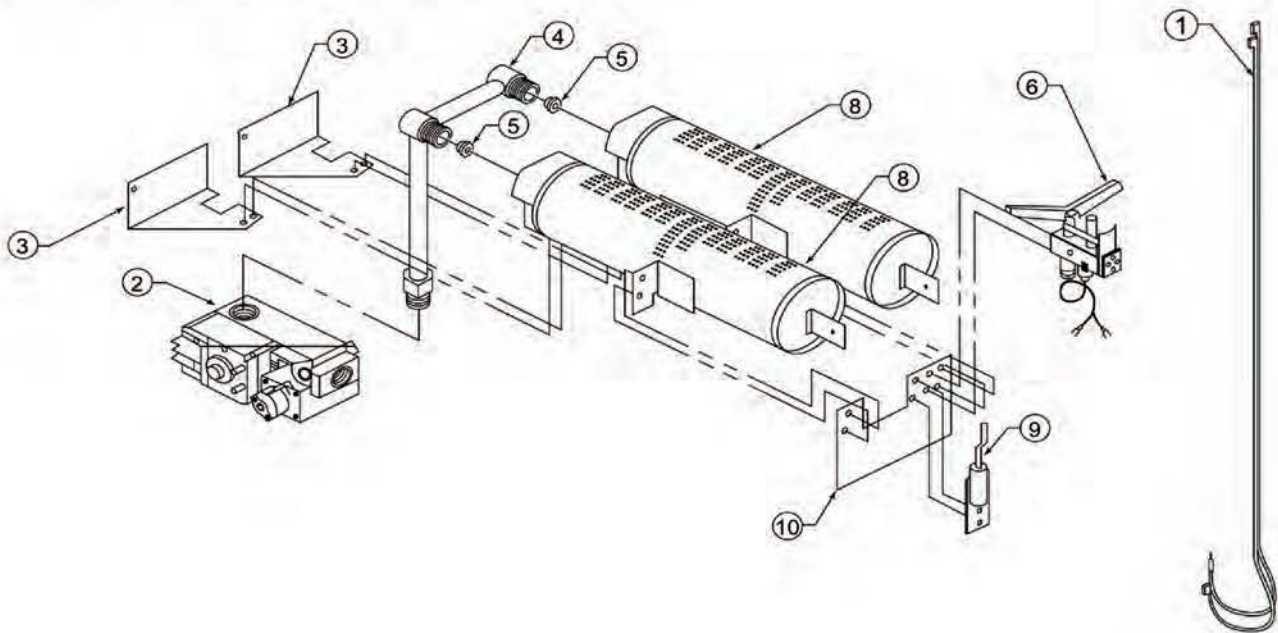
Monterey Top-Vent Furnace

CONTROL ASSEMBLY FOR 250 AND 350 SERIES MODELS



USE ONLY MANUFACTURER'S
AUTHORIZED PARTS
SEE PARTS LIST

CONTROL ASSEMBLY FOR 500 SERIES MODELS



Monterey Top-Vent Furnace

CABINET PARTS - 250 AND 350 SERIES

Reference Number	Description	2509821	2509822	3509821	3509822
		2519821	2519822	3519821	3519822
		2539821	2539822	3539821	3539822
		2559821	2559822	3559821	3559822
1	Face Panel	4915	4915	4915	4915
2	Front Heat Shield	9C216	9C216	9C216	9C216
3	Combustion Chamber	6922	6922	6923	6923
4	Front Shield Deflector	9B199	9B199	9B199	9B199
5	Inner Shield Top	9C152	9C152	9C152	9C152
6	Draft Hood Assembly	9C184	9C184	9C217	9C217
7	Vent Limit Switch	P321826	P321826	P322055	P322055
8	Shield Assembly	9C213	9C213	9C213	9C213
9	Header	5902	5902	5902	5902
10	Burner Pan	9B296	9B296	9B296	9B296
11	Manual Spark Igniter	P285500	P285500	P285500	P285500
12	Igniter Bracket	7A189	7A189	7A189	7A189
13	Pal Nut	P285501	P285501	P285501	P285501
**	Header - Insulation	P310000	P310000	P310000	P310000
**	Parts Bag	9A288-1	9A288-1	9A228-1	9A228-1
**	Knob	P332606	P332606	P332606	P332606
**	Vent Limit Switch Bracket	P322074	P322074	P332074	P332074

** Not Shown

CABINET PARTS - 500 SERIES

Reference Number	Description	5009821	5009822
		5019821	5019822
		5039821	5039822
		5059821	5059822
1	Face Panel (2 Required)	4915	4915
2	Front Heat Shield (2 Required)	9C216	9C216
3	Carryover Shell	9A321-1	9A321-1
4	Combustion Chamber (2 Required)	9D72/9D74	9D72/9D74
5	Shield Assembly	9C218	9C218
6	Deflector (2 Required)	9B199	9B199
7	Header	5901	5901
8	Vent Limit Switch	P321826	P321826
9	Draft Hood (2 Required)	9C170	9C170
10	Non-Vision Shield	9C157	9C157
11	Inner Shield Top (2 Required)	9C158	9C158
12	Burner Pan Assembly	9B251	9B251
13	Blower Heat Deflector	9A440	9A440
14	Manual Spark Igniter	P285500	P285500
15	Igniter Bracket	7A189	7A189
16	Pal Nut	P285501	P285501
**	Header - Insulation	P310000	P310000
**	Parts Bag	9A288-1	9A288-1
**	Knob	P332606	P332606
**	Vent Limit Switch Bracket	P322074	P322074

** Not Shown

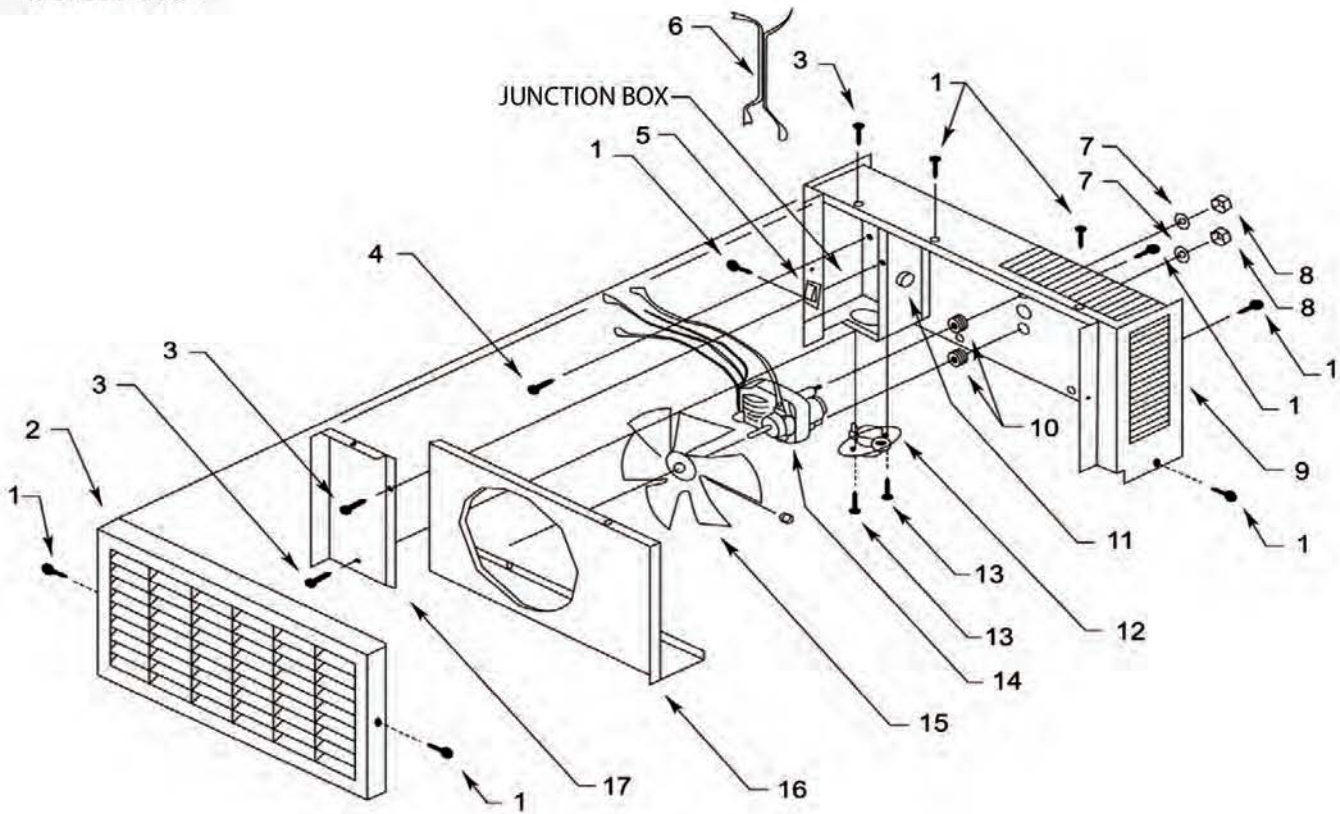
Monterey Top-Vent Furnace

CONTROL ASSEMBLY - 250, 350 AND 500 SERIES

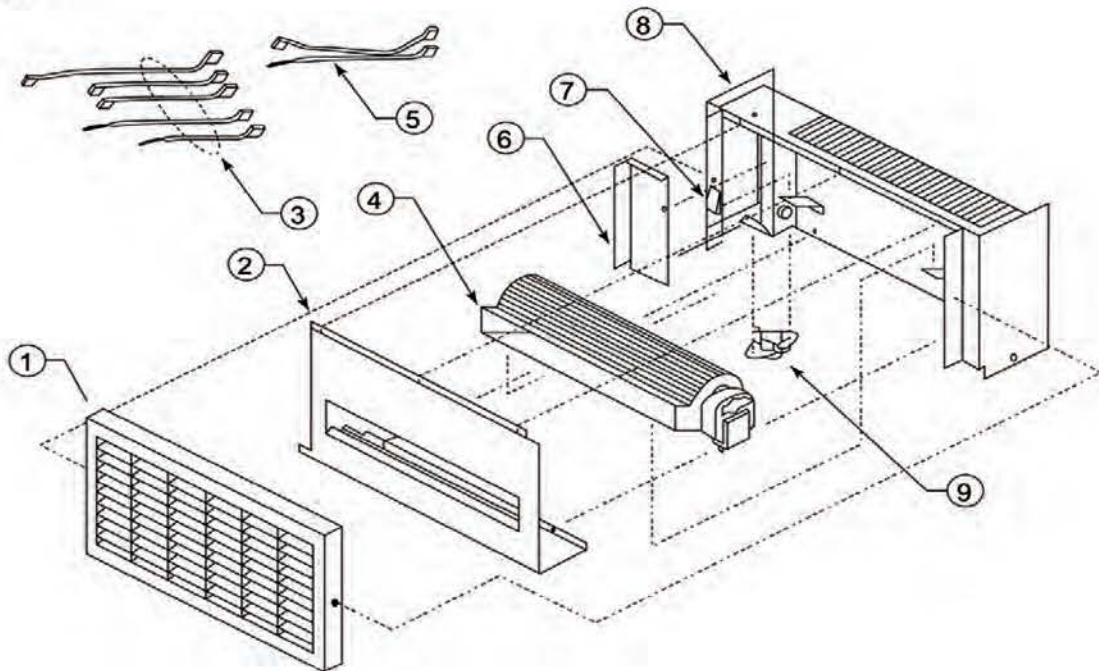
Ref. No.	Description	2509821	2509822	3509821	3509822	5009821	5009822
		2519821	2519822	3519821	3519822	5019821	5019822
		2539821	2539822	3539821	3539822	5039821	5039822
		2559821	2559822	3559821	3559822	5059821	5059822
1	Wire Assembly (2 Required for 500 Series)	P321836	P321836	P321836	P321836	P321836	P321836
2	Valve	P322660	P323011	P322660	P323011	P322660	P323011
3	Front Burner Bracket	9B234	9B234	9B234	9B234	9B243	9B243
4	Manifold	P323660	P323660	P323660	P323660	P323661	P323661
5	See Burner Orifice Sizing Chart						
6	Pilot/Generator Assembly	P323073	P323074	P323073	P323074	P322397	P322396
7	Thermostat	P322016	P322016	P322016	P322016	P322016	P322016
8	Burner (2 Required for 500 Series)	P323648	P323648	P323648	P323648	P323648	P323648
9	Electrode	-	-	-	-	P322155	P322155
10	Pilot Mounting Plate	-	-	-	-	9A409	9A409

Monterey Blower Accessory

MODEL 2901



MODEL 2907



Monterey Blower Accessory

MODEL 2901

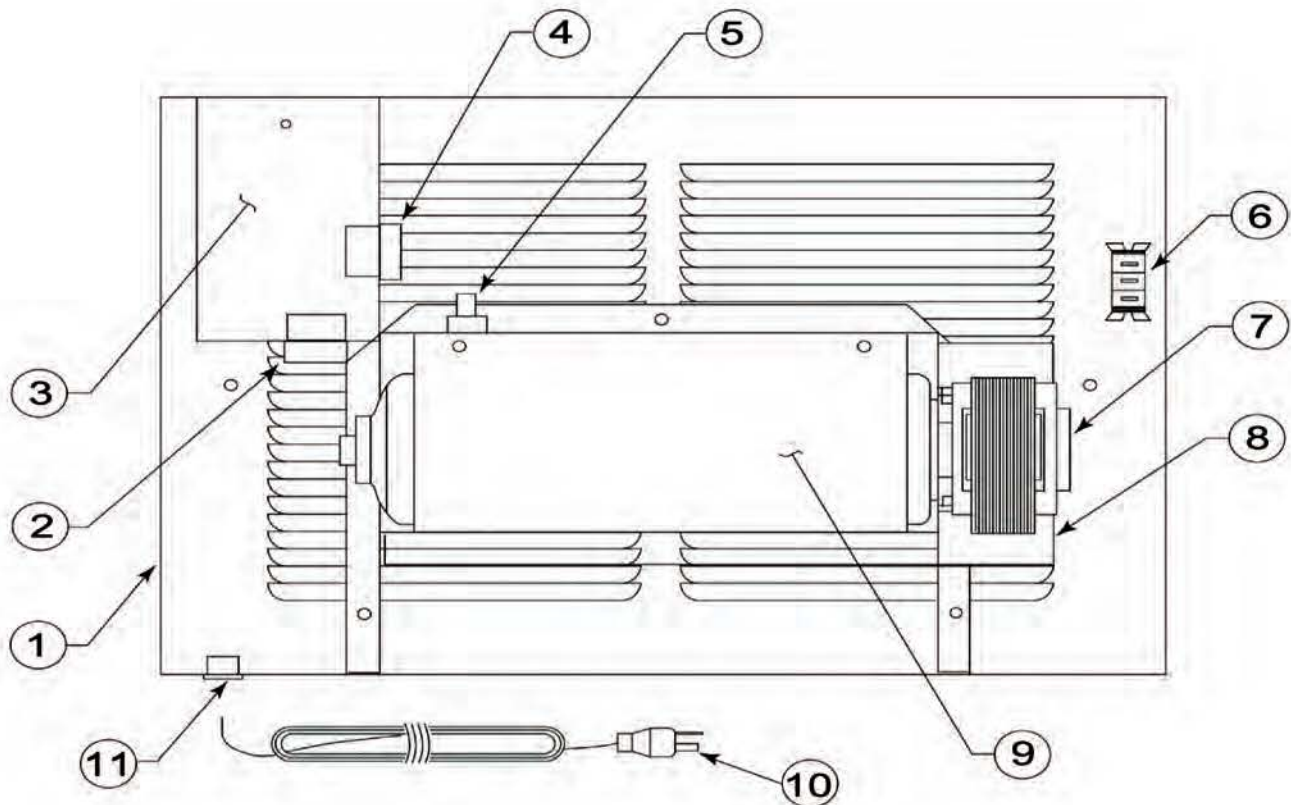
Reference Number	Description	Part Number
1	Screw - #8Ax 3/8 (8)	***
2	Blower Grille	9C99
3	Screw - #8Ax 3/8 (8)	***
4	Screw - #10 x 1/2	***
5	Toggle Switch	P320911A
6	Wire Bridle	P320912
7	Flat Washer - #10-31 (2)	***
8	Machine Nut - #8-32 w/Washer (2)	***
9	Blower Body	9C102
10	Motor Mount Grommet (2)	P321078
11	Strain Relief Bushing	***
12	Fan Switch	P323097
13	Screw - #8-18 x 1/2"	***
14	Motor	P320905
15	Fan Blade	P320907
16	Orifice Plate	9D12-1
17	Junction Box Cover	9B161

MODEL 2907

Reference Number	Description	Part Number
1	Blower Grille	9C99
2	Orifice Plate	9B246
3	Wire Assemblies	9B248
4	Blower and Motor	P323076
5	Heat Sensor Wire Assembly	P320912
6	Junction Box Cover	9A483
7	Fan Switch	P323080
8	Blower Body	9B249
9	Heat Sensor Switch	P323097

Monterey Motorized Rear Outlet

MODELS - 6919 AND 6920



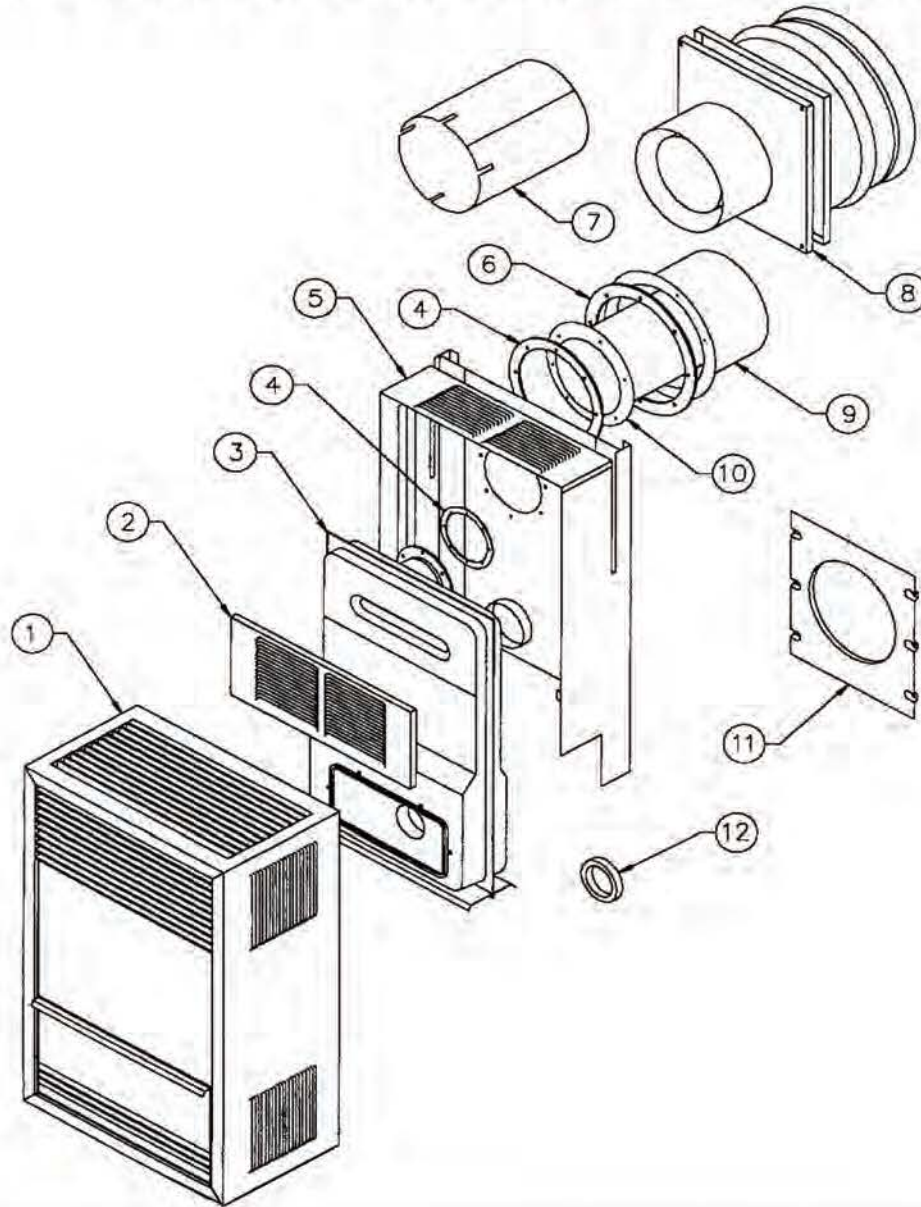
MODELS - 6919 AND 6920

Reference Number	Description	Part Number	
		6919	6920
1	Register Assembly	9B269	9B285
2	Strain Relief Bushing	***	***
3	J-Box Cover	9A427	9A427
4	Strain Relief Bushing	***	***
5	Heat Sensor Switch	P323172	P323172
6	Fan Switch	P323080	P323080
7	Motor and Blower	P323076	P323076
8	Motor Cover	9A432	9A462
9	Motor Housing Back Plate	9B266	9B284
10	Cord and Plug	P323081	P323081
11	Bushing	***	***

*** Note: Nuts, bolts and screws are standard hardware items, available locally.

Direct-Vent Wall Furnace

Model Numbers: 1403821, 1413821, 1433821, 1453821, 1403822, 1413822, 1433822, 1453822

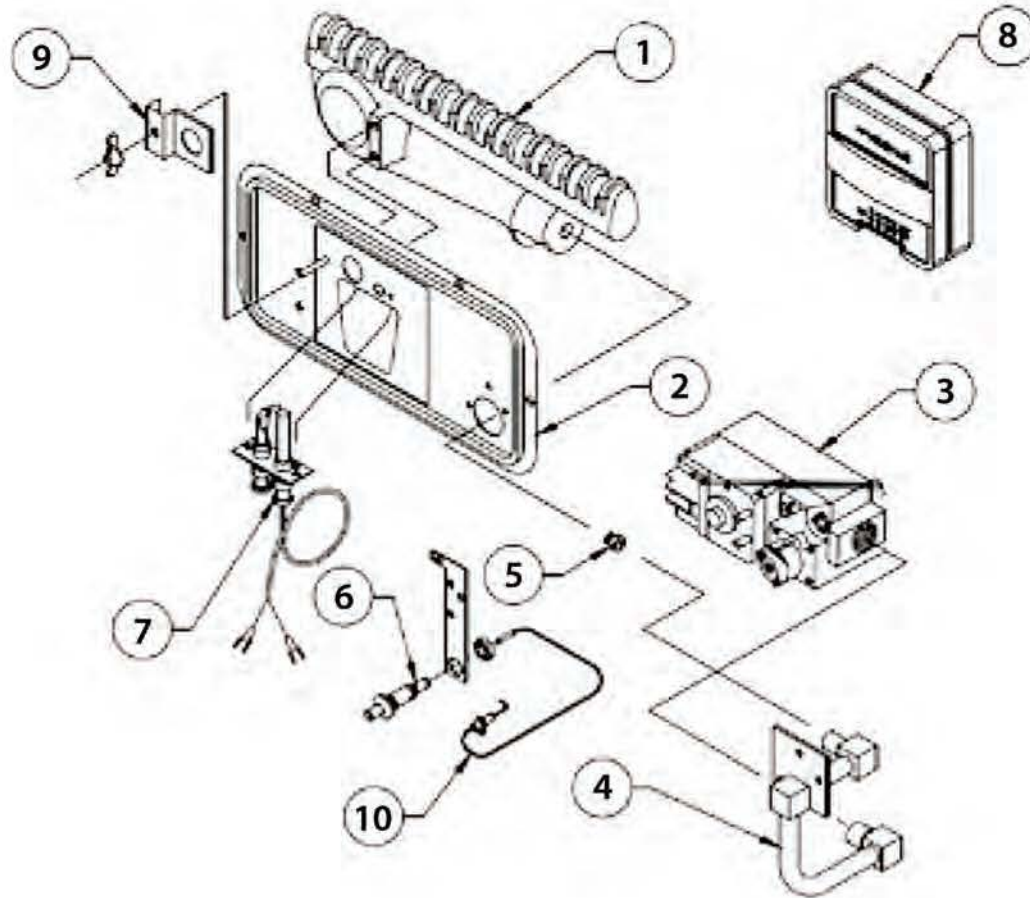


CABINET PARTS

Reference Number	Description	1403821 1413821 1433821 1453821	1403822 1413822 1433822 1453822
1	Face Panel	4309	4309
2	Combustion Chamber Shield	8A72	8A72
3	Combustion Chamber	8B77	8B77
4	Flue Tube Gasket (2 Required)	P147001	P147001
5	Inner Casing	8B62	8B62
6	Air Inlet Gasket	P147000	P147000
7	Air Inlet Shield (Standard Maximum 9" Thick Wall)	6C54-1	6C54-1
8	Vent Cap	9306	9306
9	Air Inlet Collar (Standard Maximum 9" Thick Wall)	6C60	6C60
10	Flue Extension (Standard Maximum 9" Thick Wall)	6A193	6A193
11	Mounting Spacer Plate	8B64	8B64
12	Air Inlet Gasket	P121800	P121800

Direct-Vent Wall Furnace

CONTROL ASSEMBLY - 14038 SERIES



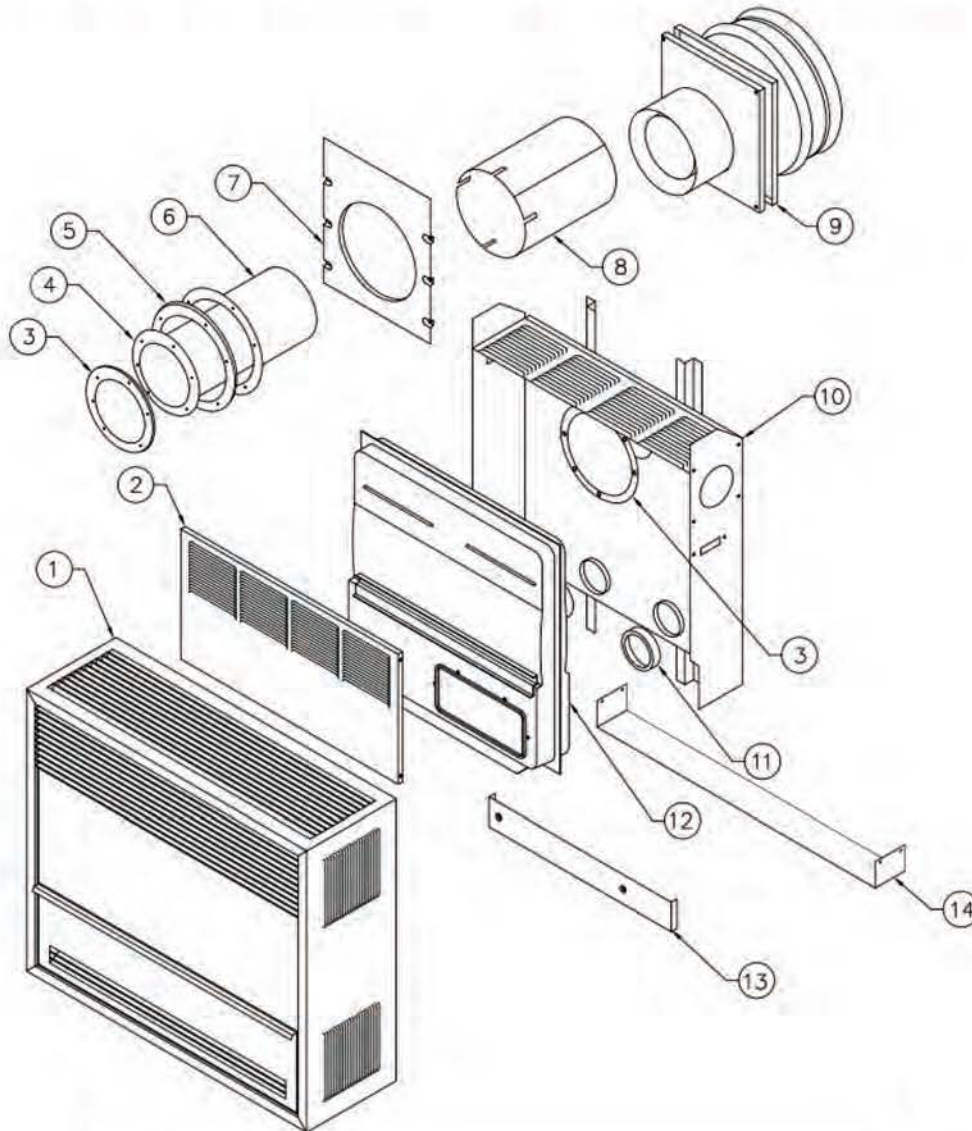
CONTROL ASSEMBLY - 14038 SERIES

Reference Number	Description	1403821	1403822
		1413821	1413822
		1433821	1453822
		1453821	1453822
1	Burner	P168400	P168400
2	Control Door	8A103	8A103
**	Control Door Gasket	P500677	P500677
3	Gas Valve	P295201A	P295200A
4	Manifold	P323659	P323659
**	Manifold Gasket	P147200	P147200
5	See Burner Orifice Sizing Chart		
6	Manual Spark Igniter	P285500	P285500
7	Pilot	P322399	P322398
**	Pilot Gasket	P142700	P142700
8	Thermostat	P322016	P322016
9	Observation Door	12B40	12B40
**	Observation Door Gasket	P100100	P100100
10	Electrode	P322400	P322400

** Not shown

Direct-Vent Wall Furnace

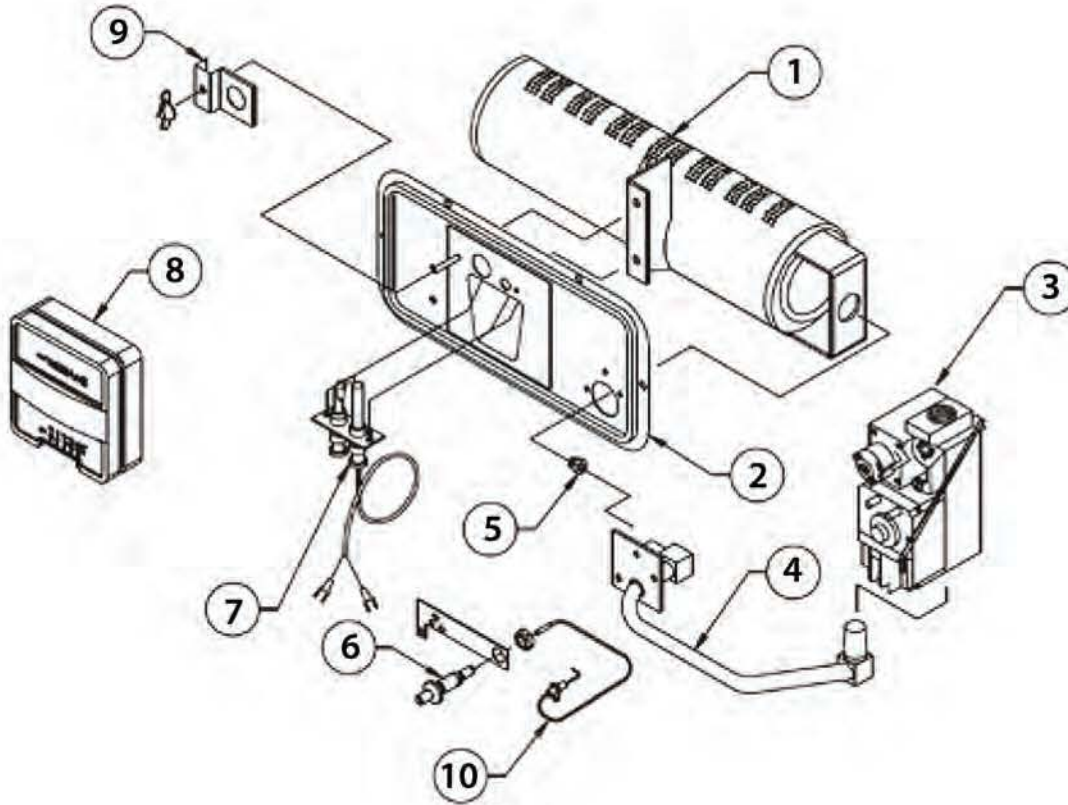
Model Numbers: 2203831, 2213831, 2233831, 2253831, 2203822, 2213822, 2233822, 2253822



CABINET PARTS			
Reference Number	Description	2203821 2213821 2233821 2253821	2203822 2213822 2233822 2253822
1	Face Panel	4313	4313
2	Combustion Chamber Shield	6B149	6B149
3	Flue Tube Gasket (2 Required)	P147001	P147001
4	Flue Extension (Standard Maximum 9" Thick Wall)	8A51	8A51
5	Air Inlet Gasket	P147000	P147000
6	Air Inlet Collar (Standard Maximum 9" Thick Wall)	6C60	6C60
7	Mounting Spacer Plate	6C66	6C66
8	Air Inlet Shield (Standard Maximum 9" Thick Wall)	6C54-1	6C54-1
9	Vent Cap	9306	9306
10	Inner Casing	6D20	6D20
11	Air Inlet Gasket (2 Required)	P121800	P121800
12	Combustion Chamber	6304	6304
13	Leg Cover Plate	6B25	6B25
14	Bottom Heat Shield	-	-

Direct-Vent Wall Furnace

CONTROL ASSEMBLY - 22038 SERIES



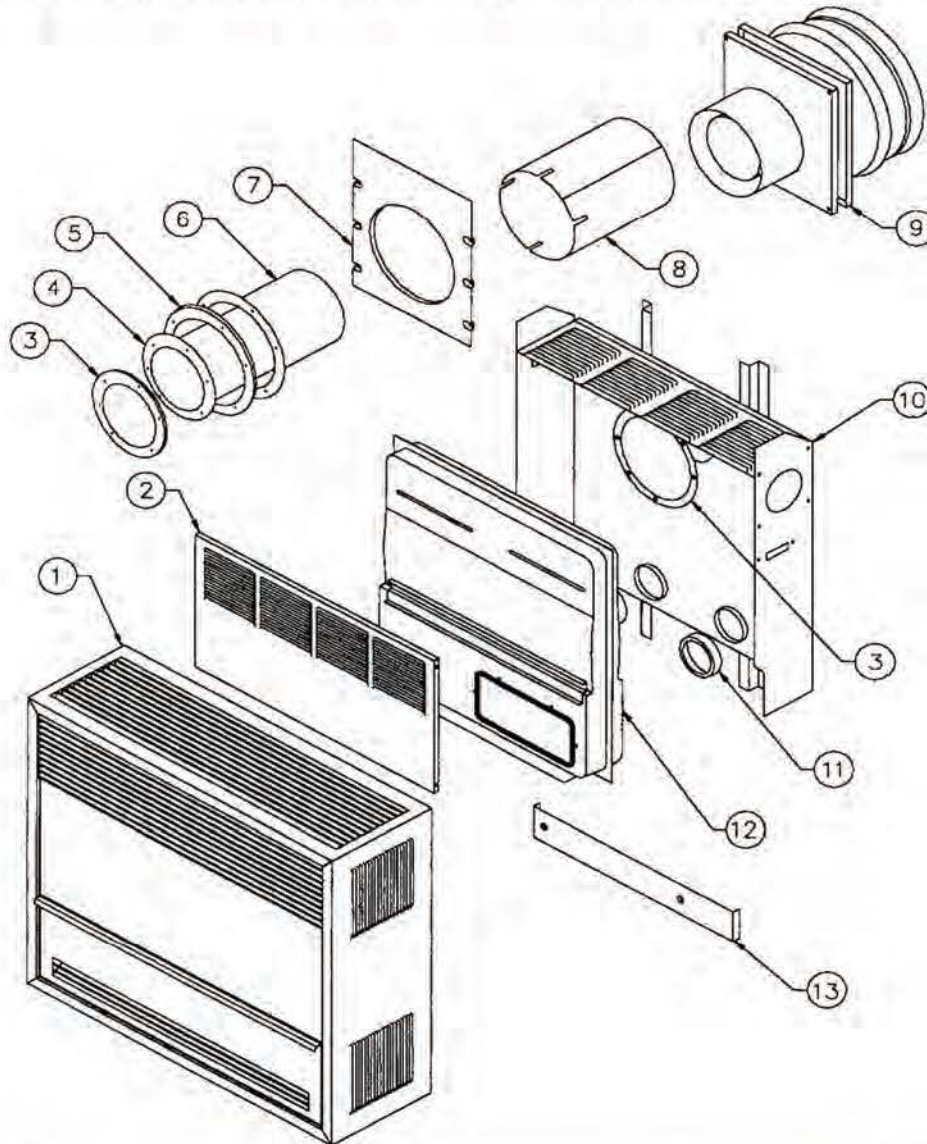
CONTROL ASSEMBLY - 20038 SERIES

Reference Number	Description	2003821	2003822
		2213821	2213822
		2233821	2233822
		2253821	2253822
1	Burner	P168401	168401
2	Control Door	8A135	8A135
**	Control Door Gasket	P500677	P500677
3	Gas Valve	P295201A	P295200A
4	Manifold	P323655	P323655
**	Manifold Gasket	P147200	P147200
5	See Burner Orifice Sizing Chart		
6	Manual Spark Igniter	P285500	P285500
	Pilot	P322399	P322398
**	Pilot Gasket	P142700	P142700
8	Thermostat	P322016	P322016
9	Observation Door	12B40	12B40
**	Observation Door Gasket	P100100	P100100
10	Electrode	P322400	P322400

** Not shown

Direct-Vent Wall Furnace

Model Numbers: 3003621, 3033621, 3053621, 3003622, 3033622, 3053622

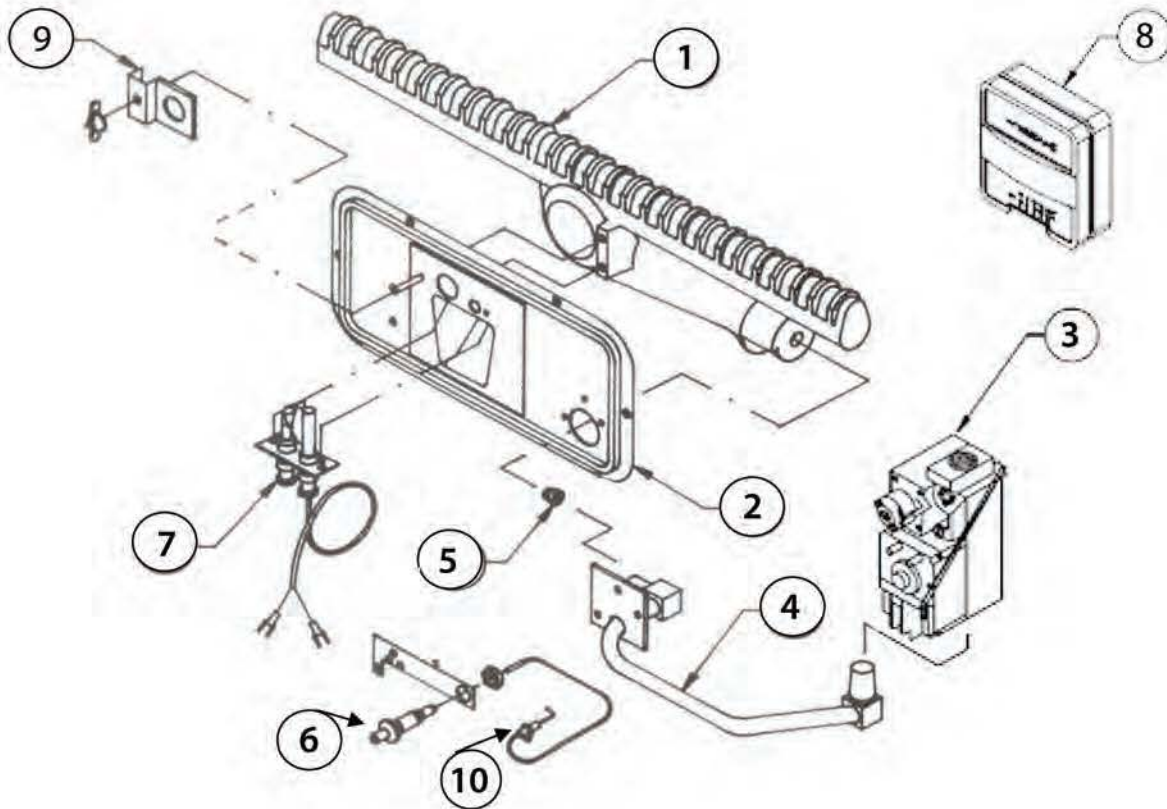


CABINET PARTS

Reference Number	Description	3003621 3033621 3053621	3003622 3033622 3053622
1	Face Panel	4313	4313
2	Combustion Chamber Shield	6B149	6B149
3	Flue Tube Gasket (2 Required)	P147001	P147001
4	Flue Extension (Standard Maximum 9" Thick Wall)	6A190	6A190
5	Air Inlet Gasket	P147000	P147000
6	Air Inlet Collar (Standard Maximum 9" Thick Wall)	6C51	6C51
7	Mounting Spacer Plate	6C66	6C66
8	Air Inlet Shield (Standard Maximum 9" Thick Wall)	6C54-1	6C54-1
9	Vent Cap	9306	9306
10	Inner Casing	6D20	6D20
11	Air Inlet Gasket (2 Required)	P121800	P121800
12	Combustion Chamber	6304	6304
13	Leg Cover Plate	6B25	6B25

Direct-Vent Wall Furnace

CONTROL ASSEMBLY - 30036 SERIES



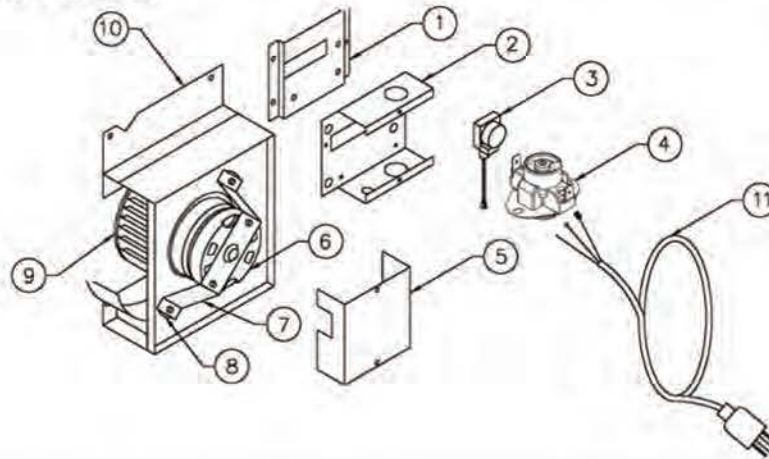
CONTROL ASSEMBLY - 30036 SERIES

Reference Number	Description	3003621	3003622
		3033621	3033622
		3053621	3053622
1	Burner	P147400	P167400
2	Control Door	8A103	8A103
**	Control Door Gasket	P500677	P500677
3	Gas Valve	P295201A	P295200A
4	Manifold	6B76	6B76
**	Manifold Gasket	P147200	P147200
5	See Burner Orifice Sizing Chart		
6	Manual Spark Igniter	P285500	P285500
7	Pilot	P322399	P322398
**	Pilot Gasket	P142700	P142700
8	Thermostat	P322016	P322016
9	Observation Door	12B40	12B40
**	Observation Door Gasket	P100100	P100100
10	Electrode	P322400	P322400

** Not shown

Direct-Vent Blower Accessory

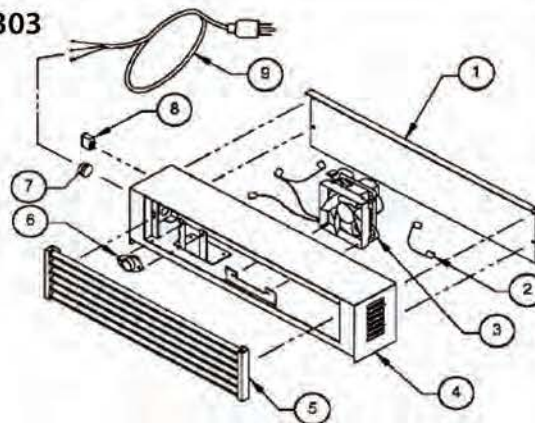
BLOWER ASSEMBLY MODEL 2302



MODEL 2302

Reference Number	Part Number	Description
1	6A24	Switch Box Bracket
2	6B33	Switch Box
3	P321017	Fan Switch (Pull Chain)
4	P332490	Automatic Fan Switch
5	6A23	Switch Box Cover
6	P130600	Motor
7	6A93	Motor Support
8	P128400	Vibration Isolator (2 Required)
9	P130700	Blower Wheel
10	6B64	Blower Frame
11	P323335	Plug and Cord

BLOWER ASSEMBLY MODEL 2303

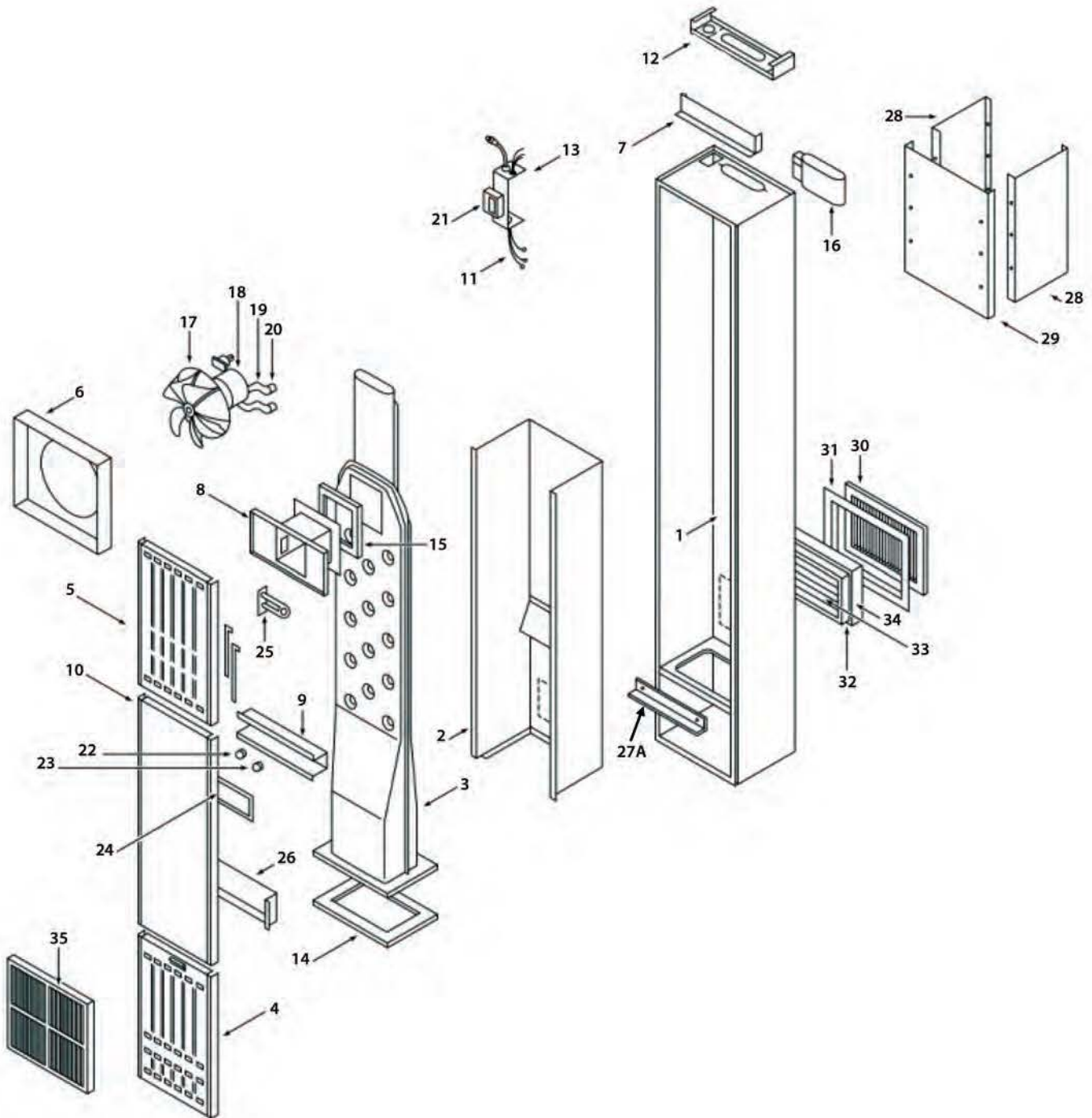


MODEL 2303

Reference Number	Part Number	Description
1	8A128	Back Plate
2	P101000	Wire
3	8B94	Fan Blower Assembly
4	8B93	Blower Casing Assembly
5	8B90	Louver Assembly
6	P323095	Heat Sensor Switch
7	P500158	Strain Relief
8	P323080	Fan Switch
9	P323335	Plug and Cord

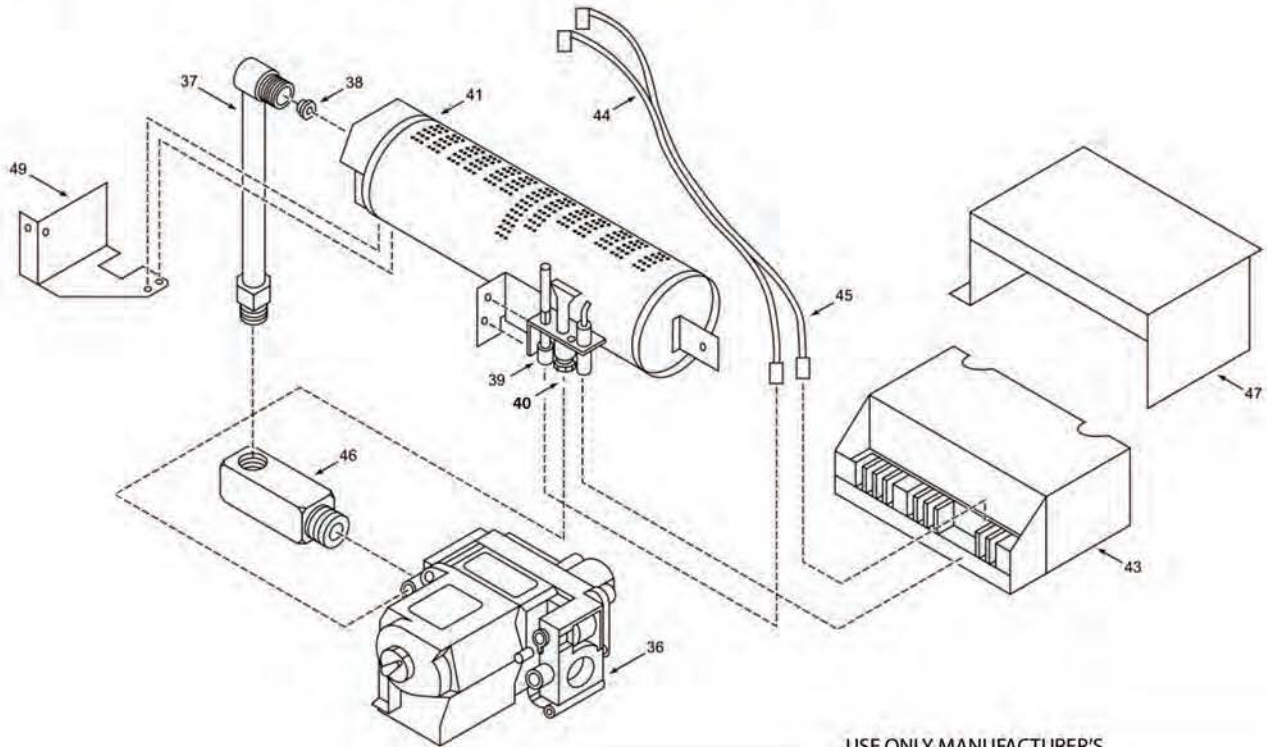
Forsaire Counterflow Top-Vent Furnace

Model Numbers: 3508231, 3518231, 3538231, 3558231, 3508232, 3518232, 3538232, 3558232, 3508631, 3518631, 3538631, 3558631, 3508632, 3518632, 3538632, 3558632

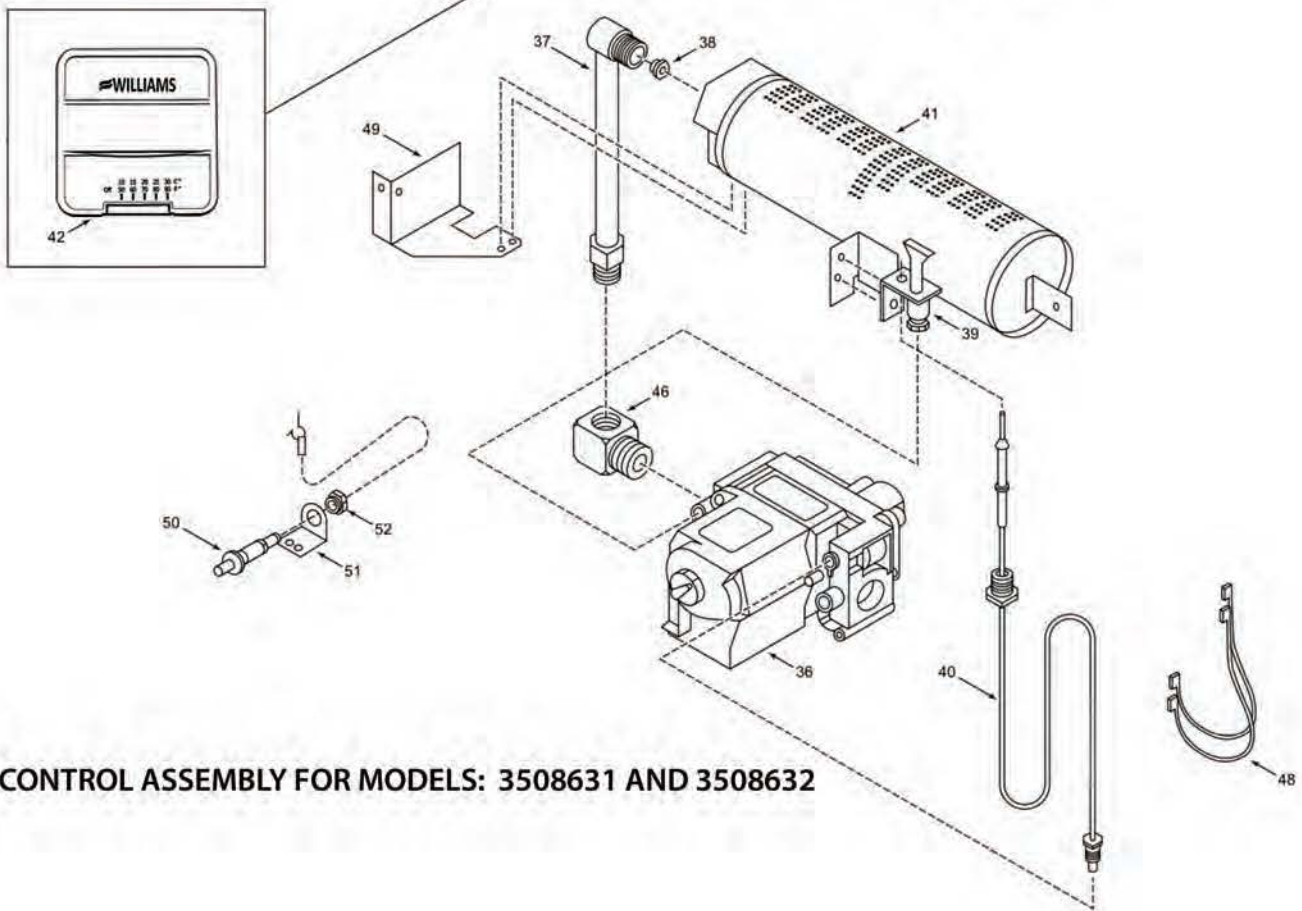


Forsaire Counterflow Top-Vent Furnace

CONTROL ASSEMBLY FOR MODELS: 3508231 AND 3508232



USE ONLY MANUFACTURER'S
AUTHORIZED PARTS
SEE PARTS LIST



CONTROL ASSEMBLY FOR MODELS: 3508631 AND 3508632

Forsaire Counterflow Top-Vent Furnace

CABINET PARTS

Reference Number	Description	3508231	3508232	3508631	3508632
1	Outer Casing, Less Front Panel	12C10	12C10	12C10	12C10
2	Inner Liner	12B15	12B15	12B15	12B15
3	Combustion Chamber	12C18	12C18	12C18	12C18
4	Bottom Front Panel	12B49	12B49	12B49	12B49
5	Top Front Panel	12B50	12B50	12B50	12B50
6	Fan Shroud	12B03-1	12B03-1	12B03-1	12B03-1
7	Vent Cover	7B12	7B12	7B12	7B12
8	Opening Pan	12B12	12B12	12B12	12B12
9	Switch Box	11B05	11B05	11B05	11B05
10	Center Front Panel	12C21	12C21	12C21	12C21
11	Internal Wires (All Except Ign. Control)	Reference Only			
12	Header Plate	7B57	7B57	7B57	7B57
13	Junction Box	12B05	12B05	12B05	12B05
14	Gasket-Element Base	P026500	P026500	P026500	P026500
15	Draft Hood Gasket	P107900	P107900	P107900	P107900
16	Flue Collar Gasket	7A22	7A22	7A22	7A22
17	Fan Blade	P300500	P300500	P300500	P300500
18	Motor	P322544	P322544	P322544	P322544
19	Motor Support (2 Req.)	7B46	7B46	7B46	7B46
20	Vibration Isolators (4 Req.)	P022800	P022800	P022800	P022800
21	Transformer 115V-24V	P024200	P024200	P024200	P024200
22	Limit Switch	P309600	P309600	P309600	P309600
23	Fan Switch	P200200	P200200	P200200	P200200
24	Switch Box Cover	11C68	11C68	11C68	11C68
25	Limit Switch	7735	7735	7735	7735
26	Deflector Baffle Handle	11C63	11C63	11C63	11C63
27A	Lower Element Base Angle	7A117	7A117	7A117	7A117
28	* Vent Enclosure Side (2 Req.)	9812	9812	9812	9812
29	* Vent Enclosure Front				
28	* Vent Enclosure Side (2 Req.)	9824	9824	9824	9824
29	* Vent Enclosure Front				
30	* Rear Grille, Two-Way	6801	6801	6801	6801
31	* Plaster Ground				
32	* Rear Inner Boot				
33	* Damper				
34	* Rear Outer Boot				
30	* Rear Grille, Two-Way	6802	6802	6802	6802
31	* Plaster Ground				
32	* Rear Inner Boot				
33	* Damper				
34	* Rear Outer Boot				
35	* Diffusing Grille Kit - Two-Way	6703	6703	6703	6703
35	* Diffusing Grille Kit - One-Way	6704	6704	6704	6704
**	* Trip Strip Kit (Not Shown)	4701	4701	4701	4701
**	* Oval B/W Vent Kit (Not Shown)	9929	9929	9929	9929

* Not available separately, in kit form only

** Not shown

Forsaire Counterflow Top-Vent Furnace

CONTROL ASSEMBLY

Reference Number	Description	3508231	3508232	3508631	3508632
36	Valve, Natural Gas	–	P323210	–	P323209
	Valve, Propane Gas	P322044	–	P322042	–
37	Manifold	7B186	7B186	7B186	7B186
38	See Burner Orifice Sizing Chart				
39	Pilot, Natural Gas	–	P323418	–	P323074
39	Pilot, Propane Gas	P323419	–	P323073	–
40	Thermocouple	–	–	P233100	P233100
40	Flame Sensor	P271100	P271100	–	–
41	Burner	12B56	12B56	12B56	12B56
42	Thermostat	P322016	P322016	P322016	P322016
43	Ignition Control Unit	P321900	P321900	–	–
44	Wire Assembly	P321522	P321522	–	–
45	Wire Assembly	P321935	P321935	–	–
45	Wire Assembly	P321935A	P321935A	–	–
46	Manifold Adapter	P321887	P321887	P321888	P321888
47	Ignition Shield	11B139	11B139	–	–
48	Wire Assembly - 2 required	–	–	P321935	P321935
48	Wire Assembly - 2 required	–	–	P321935A	P321935A
49	Front Burner Bracket	9B234	9B234	9B234	9B234
50	Manual Spark Igniter	–	–	P285500	P285500
51	Piezo Igniter Bracket	–	–	7A189	7A189
52	Pal Nut	–	–	P285501	P285501
**	Ignition Control wires	31B036	31B036	–	–

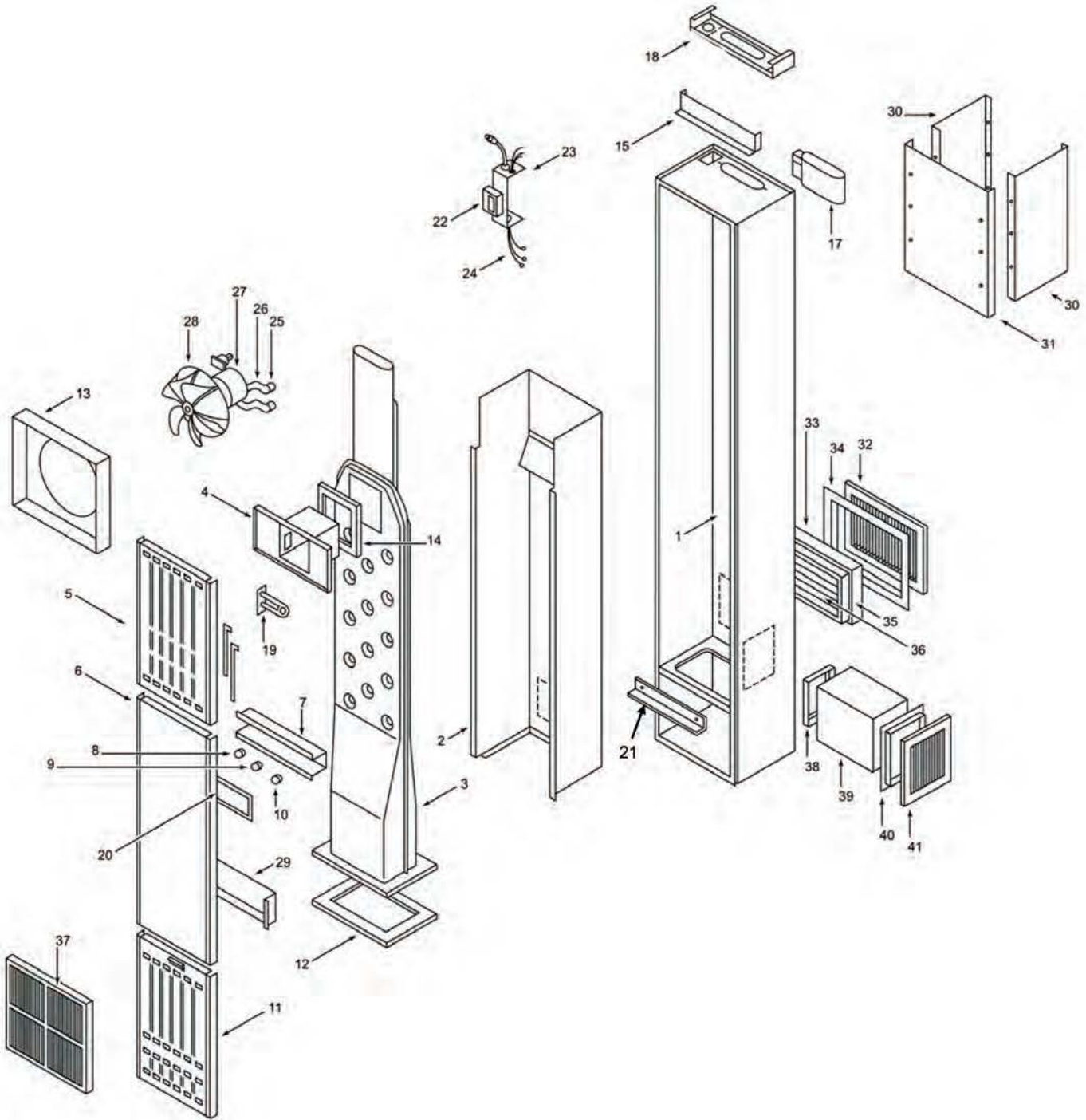
* Not available separately, in kit form only

** Not shown

Note: Nuts, bolts and screws are standard hardware items, available locally

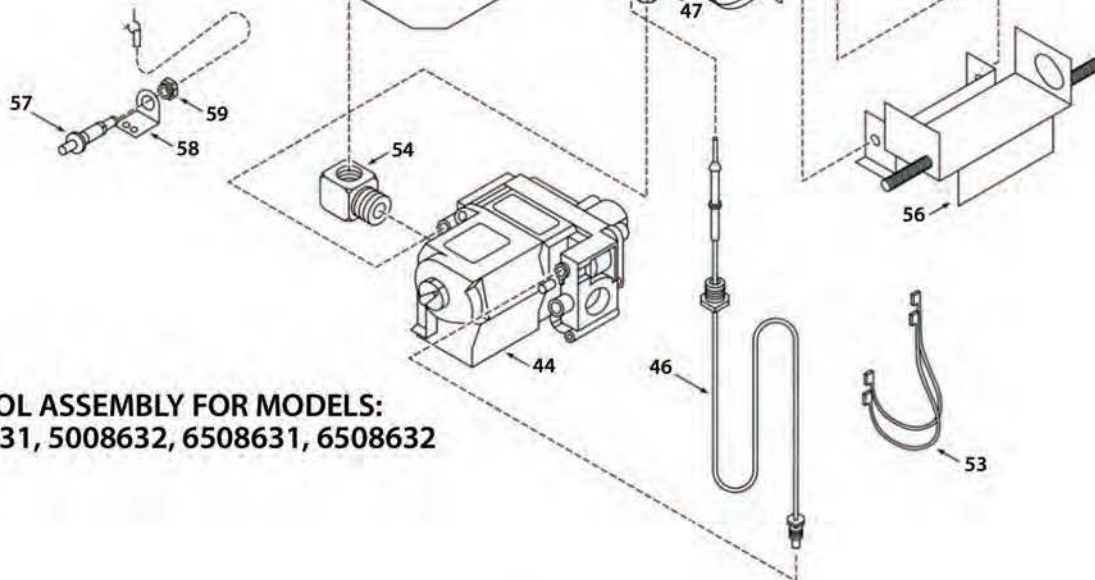
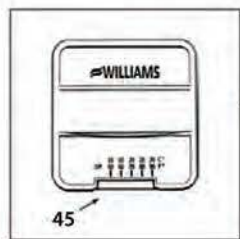
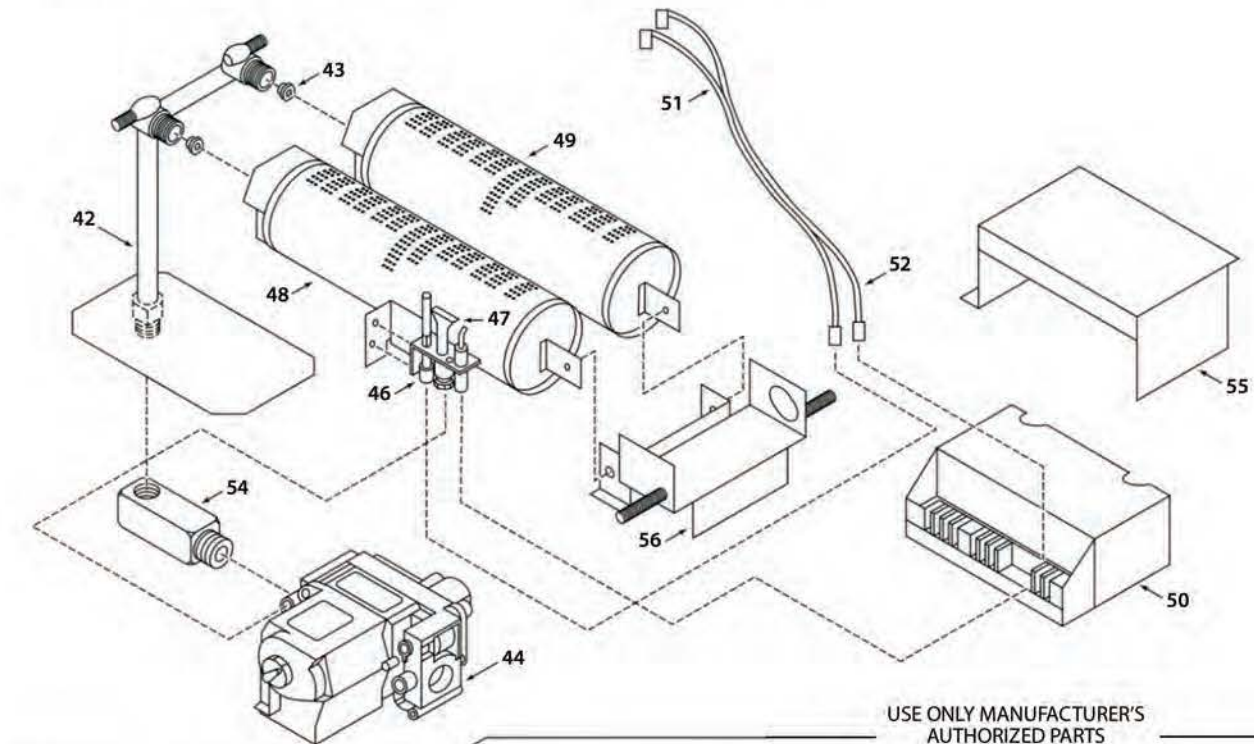
Forsaire Counterflow Top-Vent Furnace

Model Numbers: 5008631, 5018631, 5038631, 5058631, 5008632, 5018632, 5038632, 5058632, 5508231, 5518231, 5538231, 5558231, 5508232, 5518232, 5538232, 5558232, 6508631, 6518631, 6538631, 6558631, 6508632, 6518632, 6538632, 6558632



Forsaire Counterflow Top-Vent Furnace

CONTROL ASSEMBLY FOR MODELS: 5508231 AND 5508232



Forsaire Counterflow Top-Vent Furnace

CABINET PARTS - 500, 550 AND 650 SERIES

Reference Number	Description	5008631	5008632	5508231	5508232	6508631	6508632
1	Outer Casing, Less Front Panel	7C55-4	7C55-4	7C55-3	7C55-3	7C55-3	7C55-3
2	Inner Liner	11B46	11B46	7B79	7B79	7B79	7B79
3	Combustion Chamber	7C116	7C116	7C68	7C68	7C117	7C117
4	Relief Opening Pan	7B108	7B108	7B107	7B107	7B108	7B108
5	Top Front Panel	7B126	7B126	7B126	7B126	7B126	7B126
6	Center Front Panel	11C60	11C60	11C59	11C59	11C59	11C59
7	Switch Box	11B05	11B05	11B05	11B05	11B05	11B05
8	Limit Switch	P200300	P200300	P296001	P296001	P309600	P309600
9	Selector Switch	P213400	P213400	P296201	P296201	P296201	P296201
10	Fan Switch	P200200	P200200	P200200	P200200	P200200	P200200
11	Bottom Front Panel	11B103	11B103	11B103	11B103	11B103	11B103
12	Element Base Gasket	P026500	P026500	P026500	P026500	P026500	P026500
13	Fan Shroud	7B106	7B106	7B106	7B106	7B106	7B106
14	Relief Pan Gasket	P028300	P028300	P028300	P028300	P028300	P028300
15	Vent Cover	7B12	7B12	7B12	7B12	7B12	7B12
17	Flue Collar Gasket	7A22	7A22	7A22	7A22	7A22	7A22
18	Header	7B114	7B114	7B57	7B57	7B57	7B57
19	Limit Switch	7735	7735	7735	7735	7735	7735
20	Switch Box Cover	11C68	11C68	11C68	11C68	11C68	11C68
21	Lower Element Base Angle	7A117	7A117	7A117	7A117	7A117	7A117
22	Transformer, 115V/24V	P024200	P024200	P024200	P024200	P024200	P024200
23	Junction Box	7B29	7B29	7B29	7B29	7B29	7B29
24	Internal Wires (All Except Ignition Control)	Reference Only					
25	Vibration Isolators (4 Req.)	P022800	P022800	P022800	P022800	P022800	P022800
26	Motor Support (2 Req.)	7B46	7B46	7B46	7B46	7B46	7B46
27	Motor	P062101	P062101	P062101	P062101	P321601	P321601
28	Motor Fan Blade	P200600	P200600	P200600	P200600	M107087	M107087
29	Deflector Baffle Handle	11C63	11C63	11C63	11C63	11C63	11C63
30	* Vent Enclosure Side (2 Req.)	9812	9812	9812	9812	9812	9812
31	* Vent Enclosure Front						
30	* Vent Enclosure Side (2 Req.)	9824	9824	9824	9824	9824	9824
31	* Vent Enclosure Front						
32	* Rear Grille, Two-Way	6801	6801	6801	6801	6801	6801
33	* Rear Outer Boot						
34	* Plaster Ground						
35	* Rear Inner Boot						
36	* Damper						
32	* Rear Grille, Two-Way	6802	6802	6802	6802	6802	6802
33	* Rear Outer Boot						
34	* Plaster Ground						
35	* Rear Inner Boot						
36	* Damper						
37	* Diffusing Grille Kit (Two-Way)	6703	6703	6703	6703	6703	6703
37	* Diffusing Grille Kit (One-Way)						
38	* Side Inner Boot, 10-3/4" Long	6701	6701	6701	6701	6701	6701
39	* Side Outer Boot, 10" Long						
40	* Side Plaster Ground						
41	* Side Grille						
38	* Side Inner Boot, 1" Long	6702	6702	6702	6702	6702	6702
41	* Side Grille						
*	* Trim Strip Kit (not shown)	4701	4701	4701	4701	4701	4701
*	* Oval B/W Vent Kit (not shown)	9929	9929	9929	9929	9929	9929

Forsaire Counterflow Top-Vent Furnace

CONTROL ASSEMBLY - 500, 550 AND 650 SERIES

Reference Number	Description	5008631	5008632	5508231	5508232	6508631	6508632
42	Manifold	P323656	P323656	P323656	P323656	P323656	P323656
43	See Burner Orifice Sizing Chart						
44	Valve, Natural Gas	—	P323209	—	P323210	—	P323209
	Valve, Liquid Propane Gas	P322042	—	P322044	—	P322042	—
45	Thermostat	P322016	P322016	P322016	P322016	P322016	P322016
46	Thermocouple	P233100	P233100	—	—	P233100	P233100
	Flame Sensor	—	—	P271100	P271100	—	—
47	Pilot, Natural Gas	—	P323074	—	P229300	—	P323074
	Pilot, Liquid Propane Gas	P323073	—	P322680	—	P323073	—
48	Burner (with pilot bracket)	12B56	12B56	12B56	12B56	12B56	12B56
49	Burner (without pilot bracket)	12B57	12B57	12B57	12B57	12B57	12B57
50	Ignition Control Unit	—	—	P321900	P321900	—	—
51	Wire Assembly	—	—	P321524	P321524	—	—
52	Wire Assembly - 2 required	—	—	P322048A	P322048A	—	—
52	Wire Assembly - 2 required	—	—	P322048	P322048	—	—
53	Wire Assembly - 2 required	P322048A	P322048A	—	—	P322048A	P322048A
53	Wire Assembly - 2 required	P322048	P322048	—	—	P322048	P322048
54	Manifold Adapter	P321888	P321888	P321887	P321887	P321888	P321888
55	Ignition Shield	—	—	11B139	11B139	—	—
56	Burner Mounting R.H. Bracket	7B187	7B187	7B187	7B187	7B187	7B187
57	Manual Spark Igniter	P285500	P285500	—	—	P285500	P285500
58	Piezo Igniter Bracket	7A303	7A303	—	—	7A303	7A303
59	Pal Nut	P285501	P285501	—	—	P285501	P285501
**	Ignition Control Wires	—	—	31B036	31B036	—	—

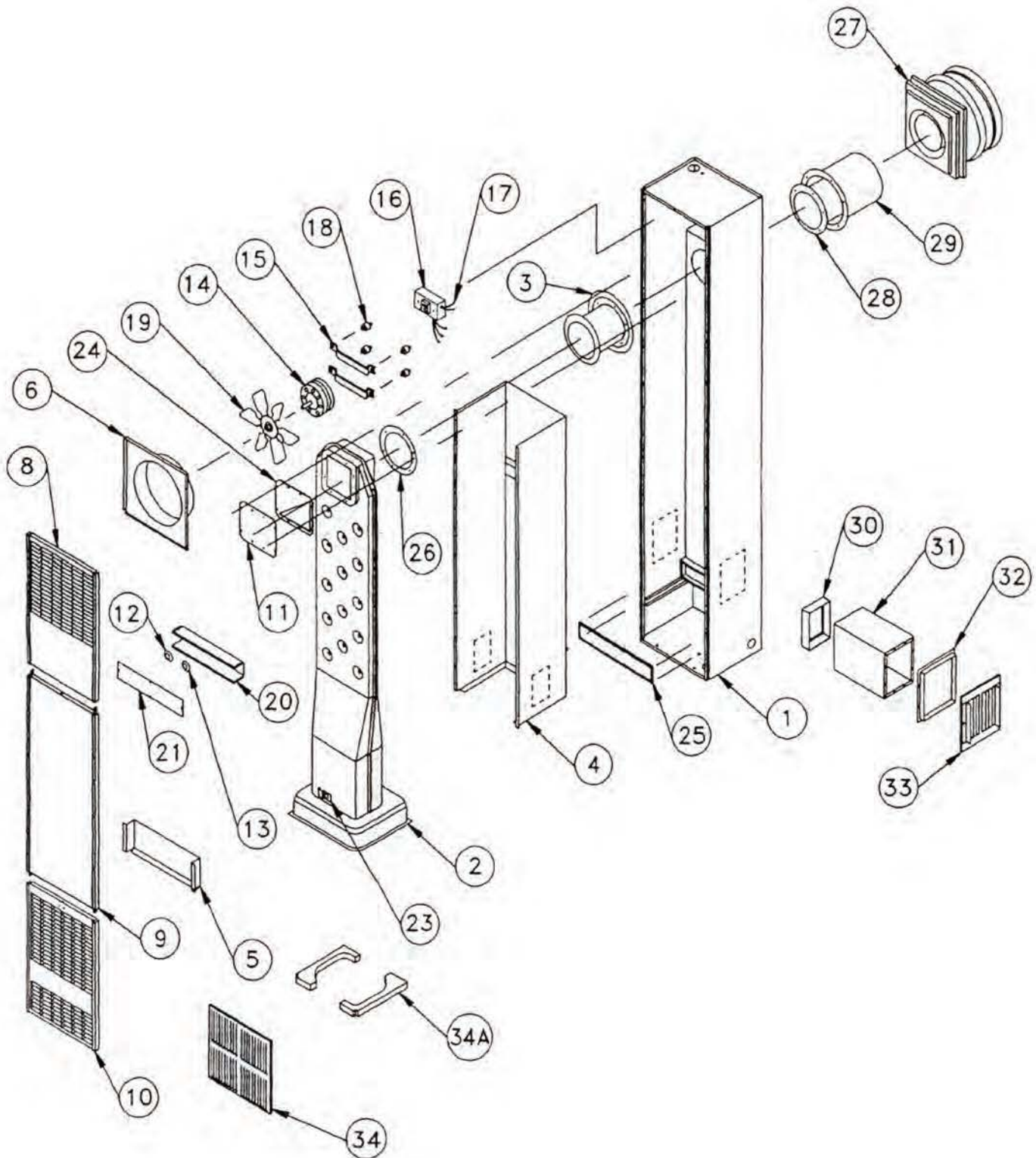
* Not available separately, in kit form only

** Not shown

Note: Nuts, bolts and screws are standard hardware items, available locally.

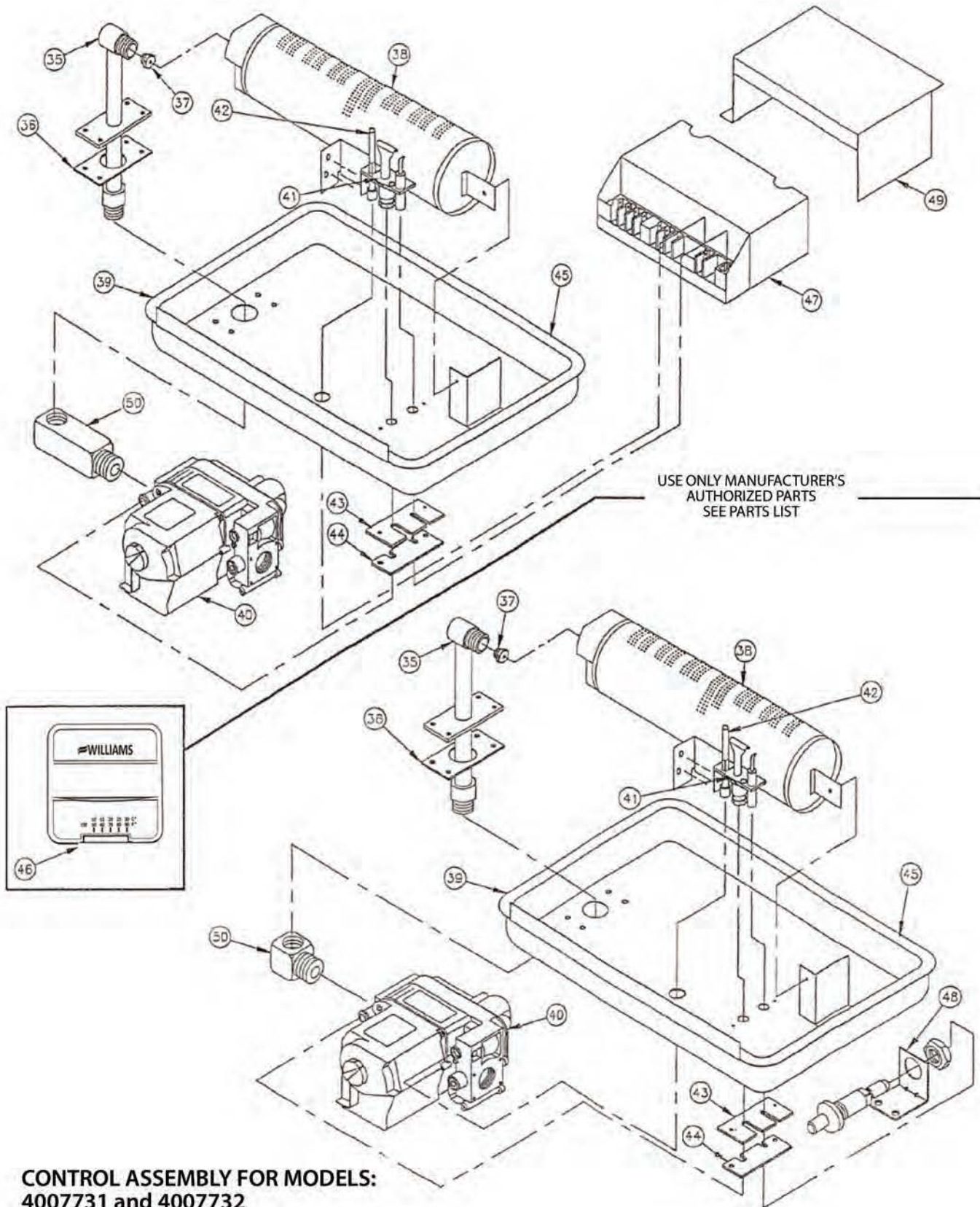
Forsaire Counterflow Direct-Vent Furnace

Model Numbers: 4007331, 4017331, 4037331, 4057331, 4007332, 4017332, 4037332, 4057332, 4007731, 4017731, 4037731, 4057731, 4007732, 4017732, 4037732, 4057732



Forsaire Counterflow Direct-Vent Furnace

CONTROL ASSEMBLY FOR MODELS: 4007331 and 4007332



CONTROL ASSEMBLY FOR MODELS:
4007731 and 4007732

Forsaire Counterflow Direct-Vent Furnace

CABINET PARTS - 400 SERIES

Reference Number	Description	4007332	4007732	4007331	4007731
1	Outer Casing with Air Pan	11C42-2	11C42-2	11C42-2	11C42-2
2	Combustion Chamber	11C67	11C67	11C67	11C67
3	Element Tube	11C37	11C37	11C37	11C37
4	Inner Liner	11B46	11B46	11B46	11B46
5	Deflector Baffle Handle	11C63	11C63	11C63	11C63
6	Fan Shroud	11B86	11B86	11B86	11B86
8	Top Front Panel	11B102	11B102	11B102	11B102
9	Center Front Panel	11C62	11C62	11C62	11C62
10	Bottom Front Panel	11B103	11B103	11B103	11B103
11	Element Face Cover	11A103	11A103	11A103	11A103
12	Limit Switch	P200300	P200300	P200300	P200300
13	Fan Switch	P200200	P200200	P200200	P200200
14	Motor	P151101	P151101	P151101	P151101
15	Motor Support (2 Req.)	7B46	7B46	7B46	7B46
16	Transformer	P024200	P024200	P024200	P024200
17	Internal Wires (Except Ignition Control Wires For Models 4007332 & 4007331)	Reference Only			
18	Vibration Mounts (4 Req.)	P022800	P022800	P022800	P022800
19	Fan Blade	P200600	P200600	P200600	P200600
20	Switch Box	11B05	11B05	11B05	11B05
21	Switch Box Cover	11C68	11C68	11C68	11C68
23	Observation Door Cover	11A18	12B40	11A18	12B40
24	Element Face Gasket	P200900	P200900	P200900	P200900
25	Air Pan Tunnel Gasket	P151900	P151900	P151900	P151900
26	Seal Gasket	P103100	P103100	P103100	P103100
27	Vent Cap	11C09	11C09	11C09	11C09
28	Flue Extension	9802 Kit	11A217	11A217	11A217
29	Air Inlet Extension		11B144	11B144	11B144
**	* Trim Strip Kit	4701	4701	4701	4701
30	* Inner Boot	Side Outlet Register	6701	6701	6701
31	* Outer Boot				
32	* Plaster Ground				
33	* Side Casing Grille Kit	6702	6702	6702	6702
34	* Diffusing Grille Kit - Two-Way	6703	6703	6703	6703
	* Diffusing Grille Kit - One-Way	6704	6704	6704	6704
34A	Gasket, Burner Pan (2 Req.)	P321020	P321020	P321020	P321020
**	Owner's Manual	P321004	P321004	P321004	P321004

* Not available separately, in kit form only

** Not shown

Forsaire Counterflow Direct-Vent Furnace

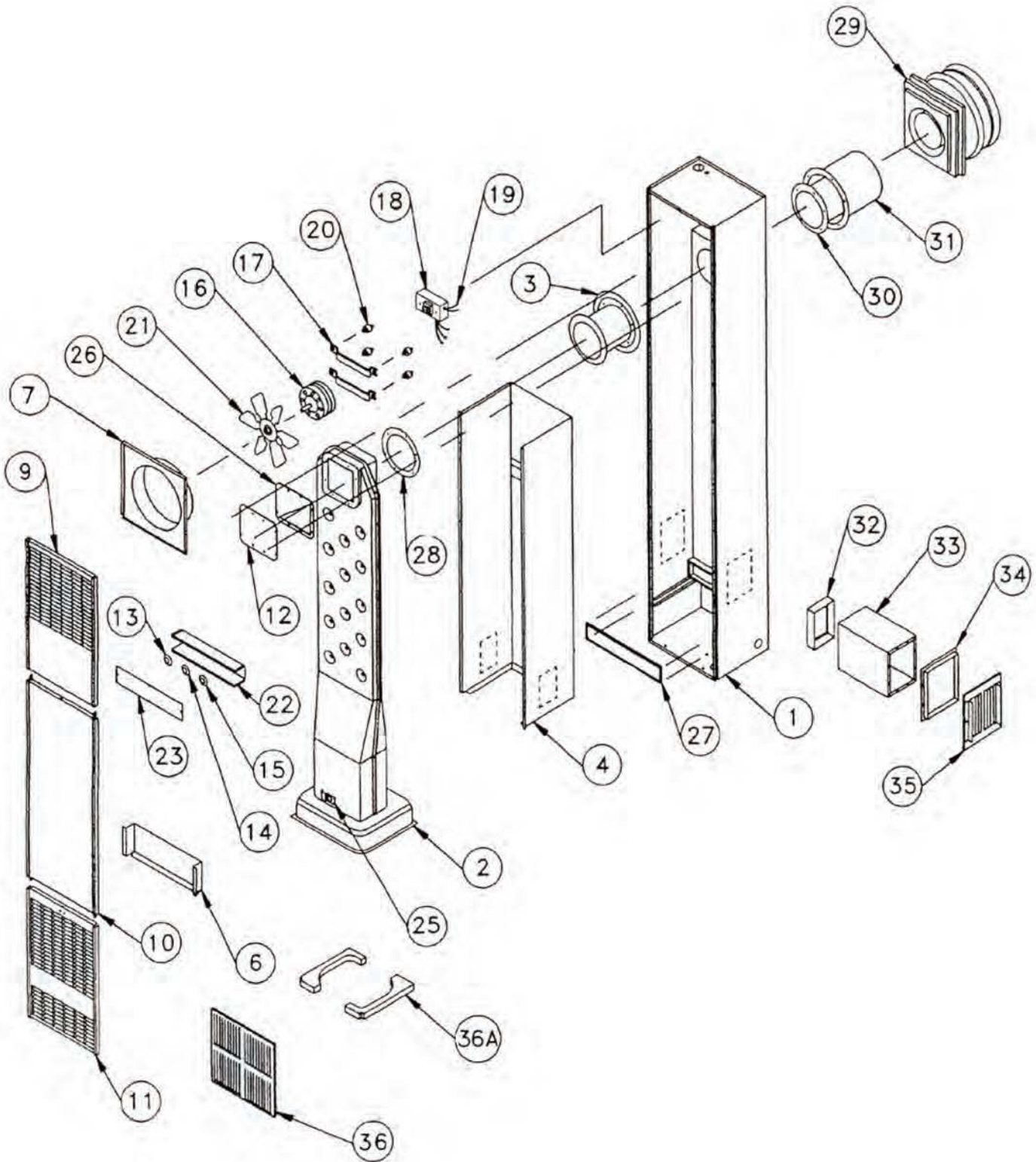
CONTROL ASSEMBLY - 400 SERIES

Reference Number	Description	4007332	4007732	4007331	4007731
35	Manifold	P323653	P323653	P323653	P323653
36	Manifold Gasket	P151700	P151700	P151700	P151700
37	See Burner Orifice Sizing Chart				
38	Burner	P323648	P323648	P323648	P323648
39	Burner Pan	11B133	11B133	11B133	11B133
40	Valve, Williams Nat.	—	P323209	—	—
	Valve, Williams L.P.G.	—	—	—	P322042
	Valve, Williams Nat.	P323210	—	—	—
	Valve, Williams L.P.G.	—	—	P322044	—
41	Pilot, Nat.	P323418	P323418	—	—
	Pilot, L.P.G.	—	—	P323419	P323419
42	Thermocouple	—	P254000	—	P254000
	Flame Sensor	P271100	—	P271100	—
43	Pilot Tube Gasket	P151800	P151800	P151800	P151800
44	Pilot Tube Seal	11A41	11A41	11A41	11A41
45	Gasket	P101600	P101600	P101600	P101600
46	Thermostat	P322016	P322016	P322016	P322016
47	Ignition Control Unit	P321900	—	P321900	—
48	Piezo Gas Lighter	—	P285500	—	P285500
49	Ignition Shield	11B139	—	11B139	—
50	Manifold Adapter	P321887	P321888	P321887	P321888
**	Ignition Control Wires	31B036	—	31B036	—

** Not shown

Forsaire Counterflow Direct-Vent Furnace

Model Numbers: 5507331, 5517331, 5537331, 5557331, 5507332, 5517332, 5537332, 5557332, 5507731, 5517731, 5537731, 5557731, 5507732, 5517732, 5537732, 5557732



Fosaire Counterflow Direct-Vent Furnace

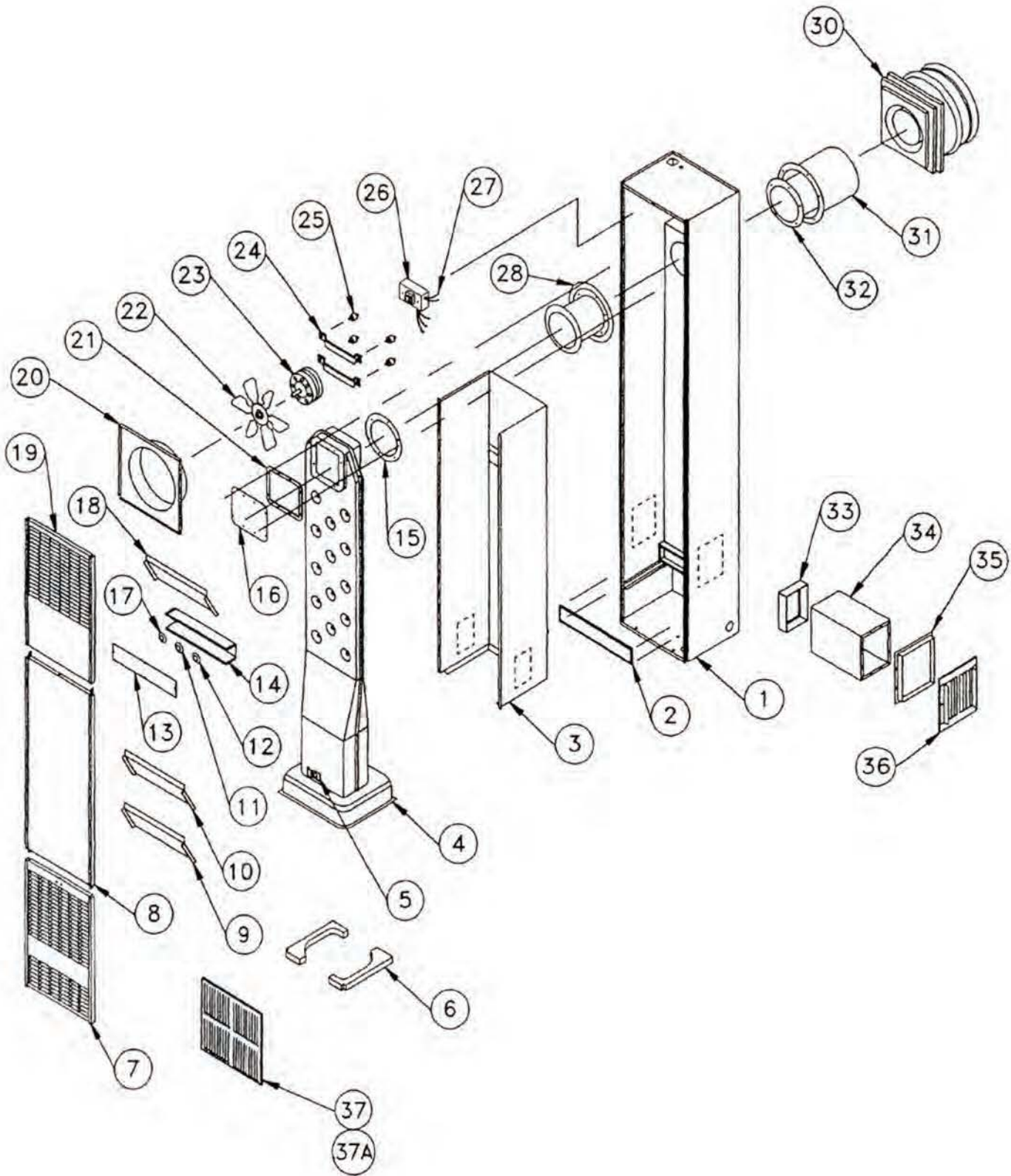
CABINET PARTS - 550 SERIES			
Reference Number	Description	5507332	5507331
1	Outer Casing with Air Pan	11C42-1	11C42-1
2	Combustion Chamber	11C66	11C66
3	Element Tube	11C37	11C37
4	Inner Liner	7B79	7B79
6	Deflector Baffle Handle	11C63	11C63
7	Fan Shroud	11B86	11B86
9	Top Front Panel	11B102	11B102
10	Center Front Panel	11C59	11C59
11	Bottom Front Panel	11B103	11B103
12	Element Face Cover	11A103	11A103
13	Limit Switch	P296001	P296001
14	Selector Switch	P200400	P200400
15	Fan Switch	P200200	P200200
16	Motor	P062101	P062101
17	Motor Support (2 Req.)	7B46	7B46
18	Transformer	P024200	P024200
19	Internal Wires (Except Ignition Control Wires)	Reference Only	
20	Vibration Mounts (4 Req.)	P022800	P022800
21	Fan Blade	P200600	P200600
22	Switch Box	11B05	11B05
23	Switch Box Cover	11C68	11C68
25	Observation Door Cover	12B40	12B40
26	Element Face Gasket	P200900	P200900
27	Air Pan Tunnel Gasket	P151900	P151900
28	Seal Gasket	P103100	P103100
29	Vent Cap	11C09	11C09
30	Flue Extension	9802 Kit	11A217
31	Air Inlet Extension		
**	* Trim Strip Kit	4701	4701
32	* Inner Boot	Side Outlet Register	6701
33	* Outer Boot		
34	* Plaster Ground		
35	* Side Casing Grille Kit	6702	6702
36	* Diffusing Grille Kit - Two-Way	6703	6703
	* Diffusing Grille Kit - One-Way	6704	6704
36A	Gasket, Burner Pan (2 Req.)	P321020	P321020
**	Owner's Manual	P321004	P321004

* Not available separately, in kit form only

** Not shown

Forsaire Counterflow Direct-Vent Furnace

Model Numbers: 6007731, 6017731, 6037731, 6057731, 6007732, 6017732, 6037732, 6057732



Forsaire Counterflow Direct-Vent Furnace

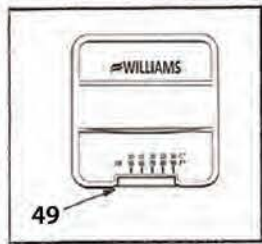
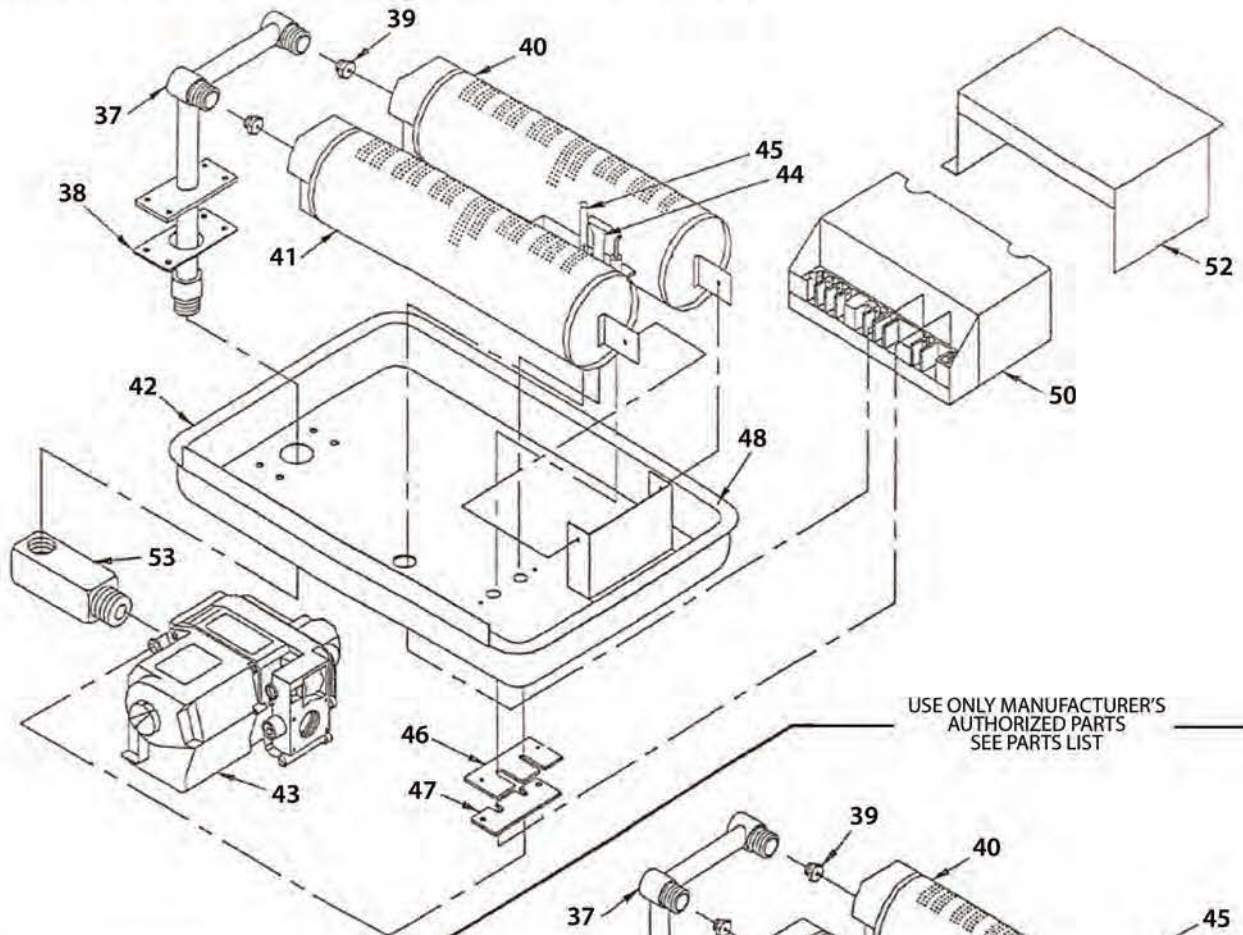
CABINET PARTS - 600 SERIES			
Reference Number	Description	6007732	6007731
1	Outer Casing with Air Pan	11C42-1	11C42-1
2	Air Pan Tunnel Gasket	P151900	P151900
3	Inner Liner	11B120	11B120
4	Combustion Chamber	11C66	11C66
5	Observation Door Cover	12B40	12B40
6	Burner Pan Gasket (2 Req.)	P321020	P321020
7	Bottom Front Panel	11B103	11B103
8	Center Front Panel	11C59	11C59
9	Bottom Air Deflector	11B123	11B123
10	Center Air Deflector	11B119	11B119
11	Selector Switch	P200400	P200400
12	Fan Switch	P200200	P200200
13	Switch Box Cover	11C68	11C68
14	Switch Box	11B05	11B05
15	Seal Gasket	P103100	P103100
16	Element Baffle	11B116	11B116
17	Limit Switch	P321942	P321942
18	Top Air Deflector	11B119	11B119
19	Top Front Panel	11B102	11B102
20	Fan Shroud	11B86	11B86
21	Element Face Gasket	P304000	P304000
22	Fan Blade	P200600	P200600
23	Motor	P321601	P321601
24	Motor Support (2 Req.)	7B46	7B46
25	Vibration Mounts (4 Req.)	P022800	P022800
26	Transformer	P024200	P024200
27	Internal Wires	Reference Only	
28	Element Tube	11C37	11C37
30	Vent Cap	11C09	11C09
31	Air inlet Extension	9809 Kit	11B144
32	Flue Extension		11B157
33	* Inner Boot	Side Outlet Register	6701
34	* Outer Boot		
35	* Plaster Ground		
36	* Side Casing Grille Kit	6702	6702
37	* Diffusing Grille Kit - Two-Way	6703	6703
37A	* Diffusing Grille Kit - One-Way	6704	6704
**	* Trim Strip Kit	4701	4701

* Not available separately, in kit form only

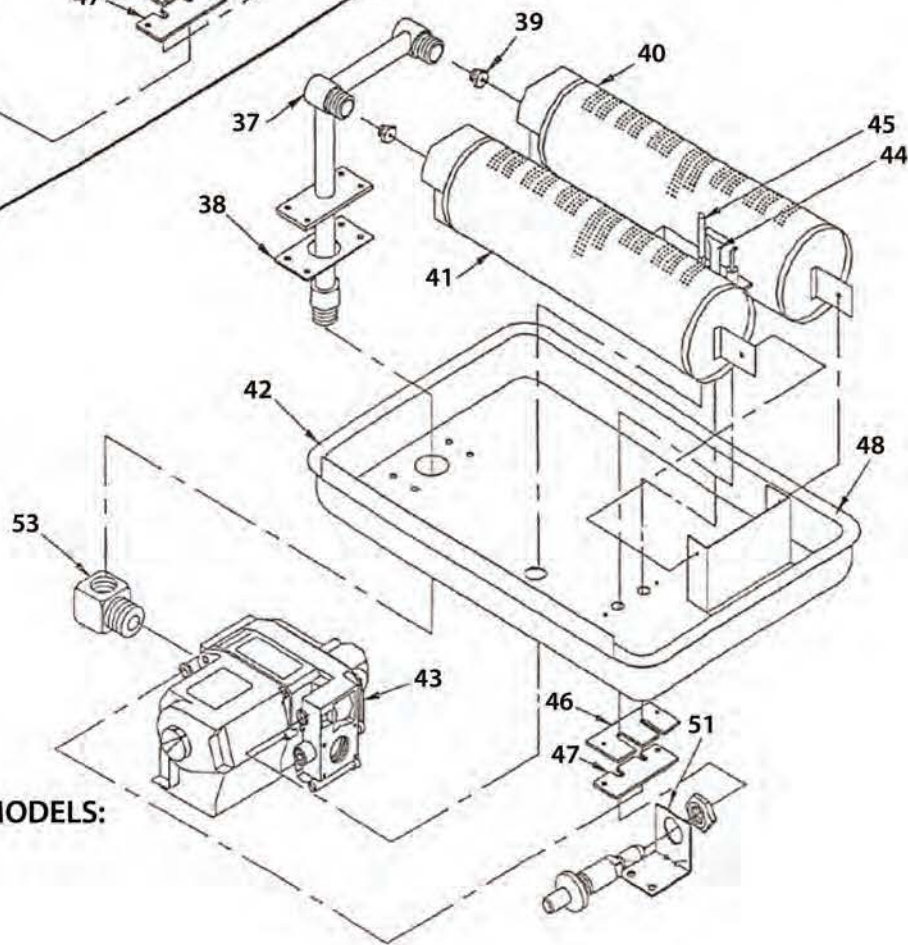
** Not shown

Forsaire Counterflow Direct-Vent Furnace

CONTROL ASSEMBLY FOR MODELS: 5507331 and 5507332



CONTROL ASSEMBLY FOR MODELS:
6007731 and 6007732



Forsaire Counterflow Direct-Vent Furnace

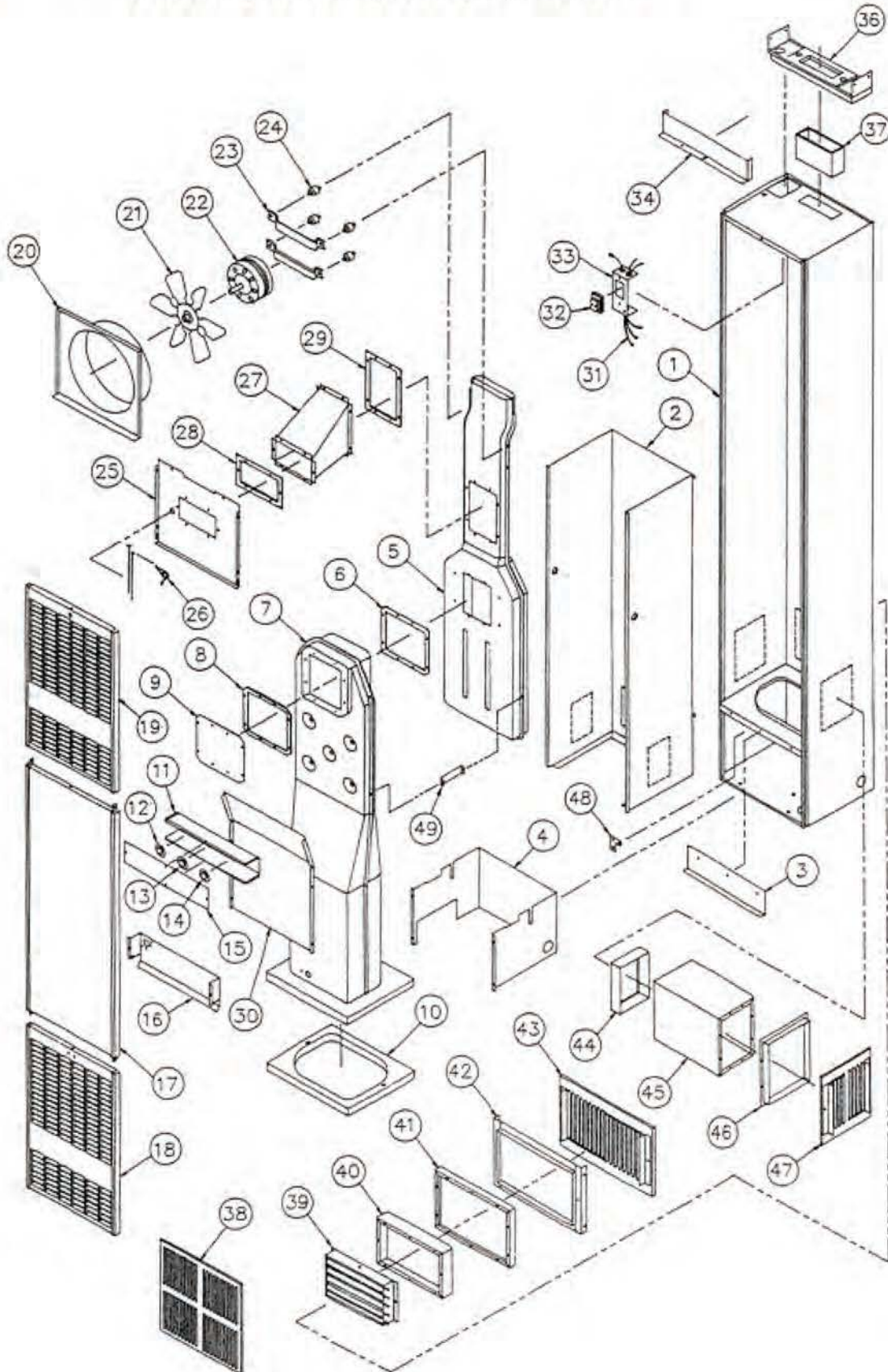
CONTROL ASSEMBLY - 550 AND 600 SERIES

Reference Number	Description	5507332	6007732	5507331	6007731
37	Manifold	P323654	P323654	P323654	P323654
38	Manifold Gasket	P151700	P151700	P151700	P151700
39	See Burner Orifice Sizing Chart				
40	Burner (With pilot bracket)	P323648	P323648	P323648	P323648
41	Burner (Without pilot bracket)	P323649	P323649	P323649	P323649
42	Burner Pan	11B134	11B156	11B134	11B156
43	Valve, Nat.	—	P323209	—	—
	Valve, L.P.G.	—	—	—	P322042
	Valve, Nat.	P323210	—	—	—
	Valve, L.P.G.	—	—	P322044	—
44	Pilot, Nat.	P323418	P323418	—	—
	Pilot, L.P.G.	—	—	P323419	P323419
45	Thermocouple	—	P254000	—	P254000
	Flame Sensor	P271100	—	P271100	—
46	Pilot Tube Gasket	P151800	P151800	P151800	P151800
47	Pilot Tube Seal	11A41	11A41	11A41	11A41
48	Gasket	P101600	P101600	P101600	P101600
49	Thermostat	P322016	P322016	P322016	P322016
50	Ignition Control Unit	P321900	—	P321900	—
51	Piezo Gas Lighter	—	P285500	—	P285500
52	Ignition Shield	11B139	—	11B139	—
53	Manifold Adapter	P321887	P321888	P321887	P321888
**	Ignition Control Wires	31B036	—	31B036	—

** Not shown

Forsaire Magnum Top-Vent Furnace

Model Numbers: 6008531A, 6018531A, 6038531A, 6058531A,
6008532A, 6018532A, 6038532A, 6058532A



Forsaire Magnum Top-Vent Furnace

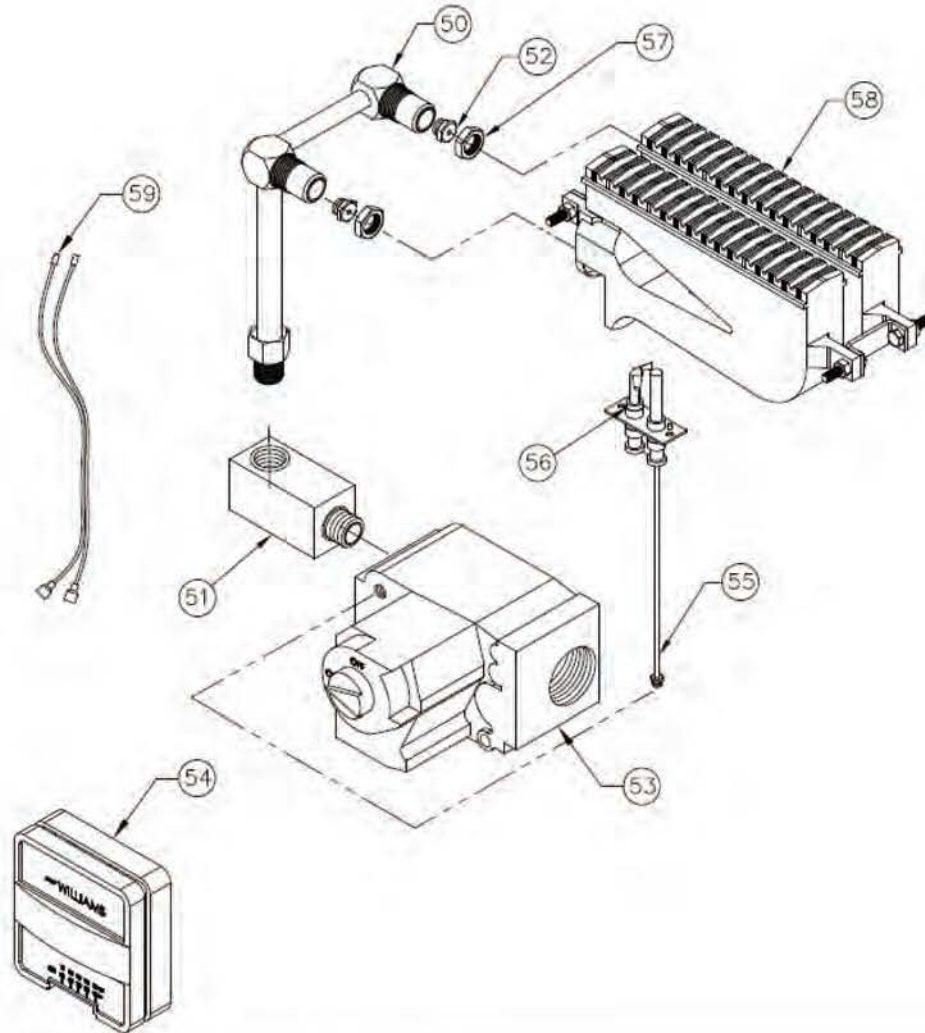
CABINET PARTS - 60085A SERIES

Reference Number	Description	6008532A	6008531A
1	Outer Casing (Less Front Panel)	7D18	7D18
2	Inner Liner	7B138	7B138
3	Lower Front Angle	7A117	7A117
4	Burner Shield	7B149	7B149
5	Second Chamber	7C86	7C86
6	Gasket, Chamber Union	P321919	P321919
7	Combustion Chamber	7B169	7B169
8	Gasket, Element Face	P321911	P321911
9	Element Faceplate	7A220	7A220
10	Gasket, Element Base	P321912	P321912
11	Switch Box	7B183	7B183
12	Limit Switch	P200300	P200300
13	Selector Switch	P296201	P296201
14	Fan Switch	P200200	P200200
15	Cover, Switch Box	11C68	11C68
16	Handle Deflector Baffle	11C63	11C63
17	Center Front Panel	7B136	7B136
18	Bottom Front Panel	7B171	7B171
19	Top Front Panel	7B147	7B147
20	Fan Shroud	7B170	7B170
21	Fan Blade	P200600	P200600
22	Motor	P321601	P321601
23	Motor Support	7B46	7B46
24	Vibration Isolator (4 required)	P022800	P022800
25	Draffhood Faceplate	7C85	7C85
26	Vent Safety Switch	P321958	P321958
27	Draffhood	7B165	7B165
28	Gasket, Draffhood Front	P322003	P322003
29	Gasket, Draffhood Rear	P322004	P322004
30	Heat Deflector	7C99	7C99
31	Internal Wires	Reference Only	
32	Transformer	P024200	P024200
33	Cover, Junction Box	7B155	7B155
34	Vent Cover	7B12	7B12
36	Header	7B57	7B57
37	Flue Collar Gasket	7A22	7A22
38	Diffusing Grille Kit. Two-Way	6703	6703
38	Diffusing Grille Kit. One-Way	6704	6704
39	* Damper		
40	* Rear Inner Boot		
41	* Rear Outer Boot	6801	6801
42	* Plaster Ground		
43	* Rear Grille Two-Way		
44	* Side Inner Boot		
45	* Side Outer Boot		
46	* Side Plaster Ground	6701	6701
47	* Side Grille		
44	* Side Inner Boot		
47	* Side Grille	6702	6702
48	Hinge Wire Extension (2 Required)	7A225	7A225
49	Support, Second Chamber	7A219	7A219

* Not available separately, in kit form only

Forsaire Magnum Top-Vent Furnace

CONTROL ASSEMBLY - 60085A SERIES



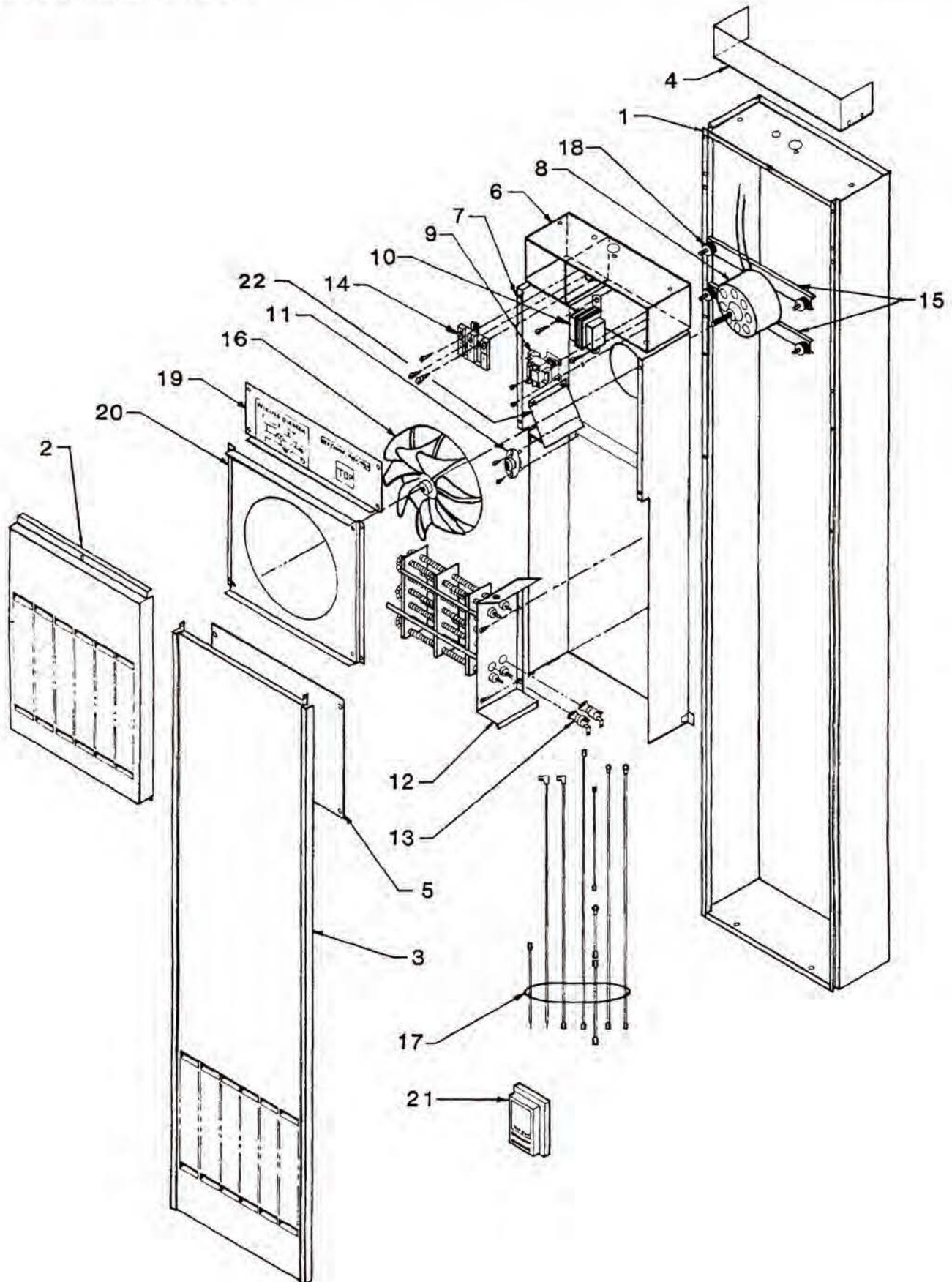
CONTROL ASSEMBLY - 60085A SERIES

50	Manifold	P323658	P323658
51	Manifold Adaptor	P321888	P321888
52	See Burner Orifice Sizing Chart		
53	Gas Control Valve	P323209	P322042
54	Thermostat	P322016	P322016
55	Thermocouple	P233100	P233100
56	Pilot	P323074	P323073
57	Locknut (2) Required	P026200	P026200
58	Burner, Cast Iron	P025600	P025600
59	Wire Assembly Vent Safety	P322048	P322048
	Wire Assembly Vent Safety	P322048A	P322048A
**	Owner's Manual	P321920	P321920

** Not shown

Forsaire Counterflow Electric Furnace

Model Number: 3144030



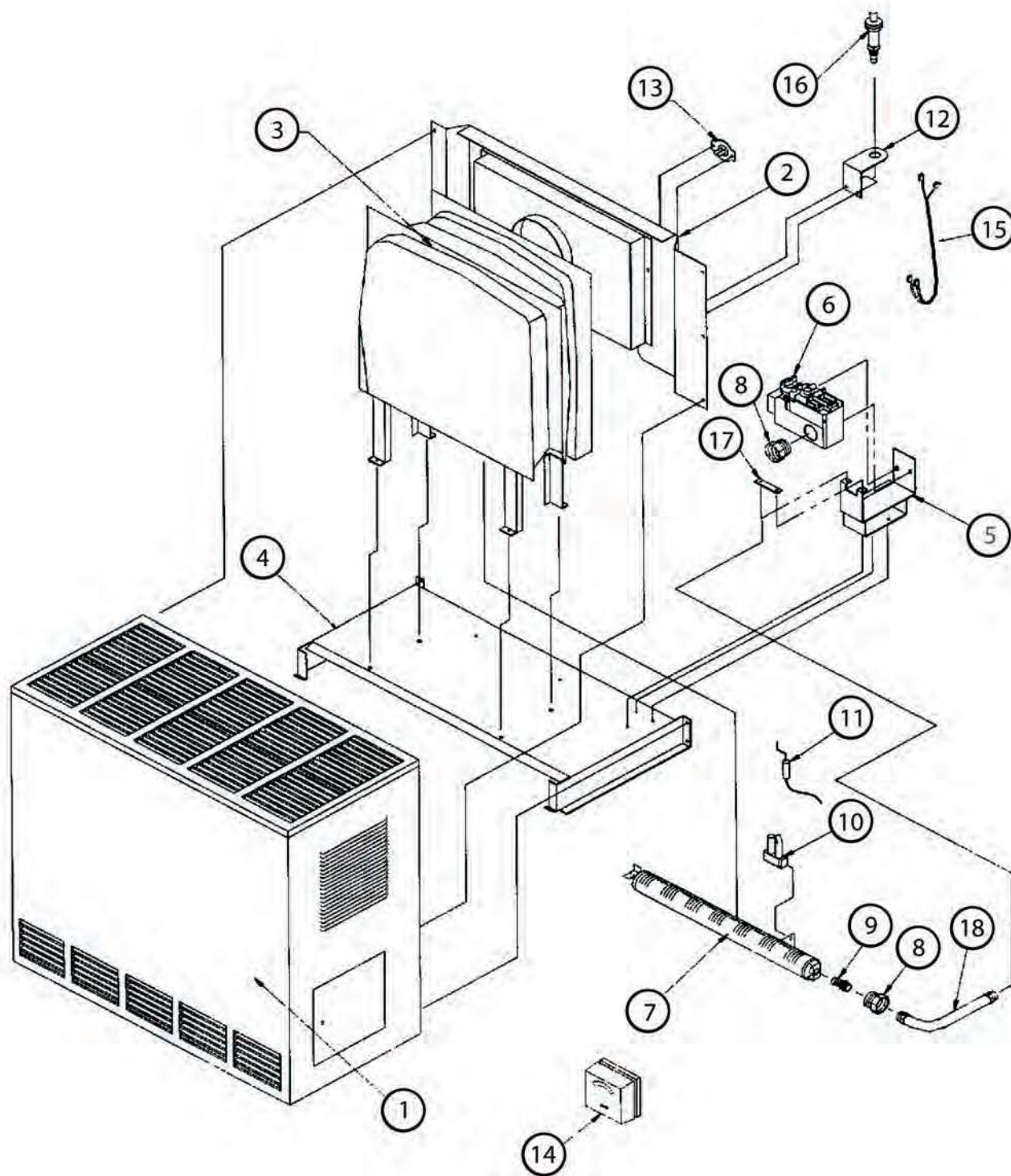
Forsaire Counterflow Electric Furnace

CABINET PARTS		
Reference Number	Description	Part Number
1	Outer Casing	16C01
2	Top Front Panel	16B01
3	Bottom Front Panel	16C03
4	Top Trim Cover	16A07
5	Element Cover	16A04
6	Junction Box Assembly	16B15
7	Element Casing Body Assembly	16C04
8	Motor	P021504
9	Relay	P154700
10	Transformer	P154802
11	Limit Switch	P323366
12	Heating Element	P155001
13	Fuse Limiter (2 Required)	P323665
14	Terminal Block	P154400
15	Motor Support (2 Required)	16A06
16	Fan Blade	P200600
17	Internal Wiring	Reference Only
18	Vibration Isolator (4 Required)	P022800
19	Junction Box Cover	16A03
20	Fan Shroud	16B05
21	Thermostat	P322016
22	Side Baffle Assembly	16A18
**	Owners Manual	P321008

** Not shown
 Note: Nuts, bolts and screws are standard hardware items, available locally

Enclosed Front Vented Room Heater

Model Numbers: 2001621A, 2011621A, 2031621A, 2051621A,
2001622A, 2011622A, 2031622A, 2051622A



Enclosed Front Vented Room Heater

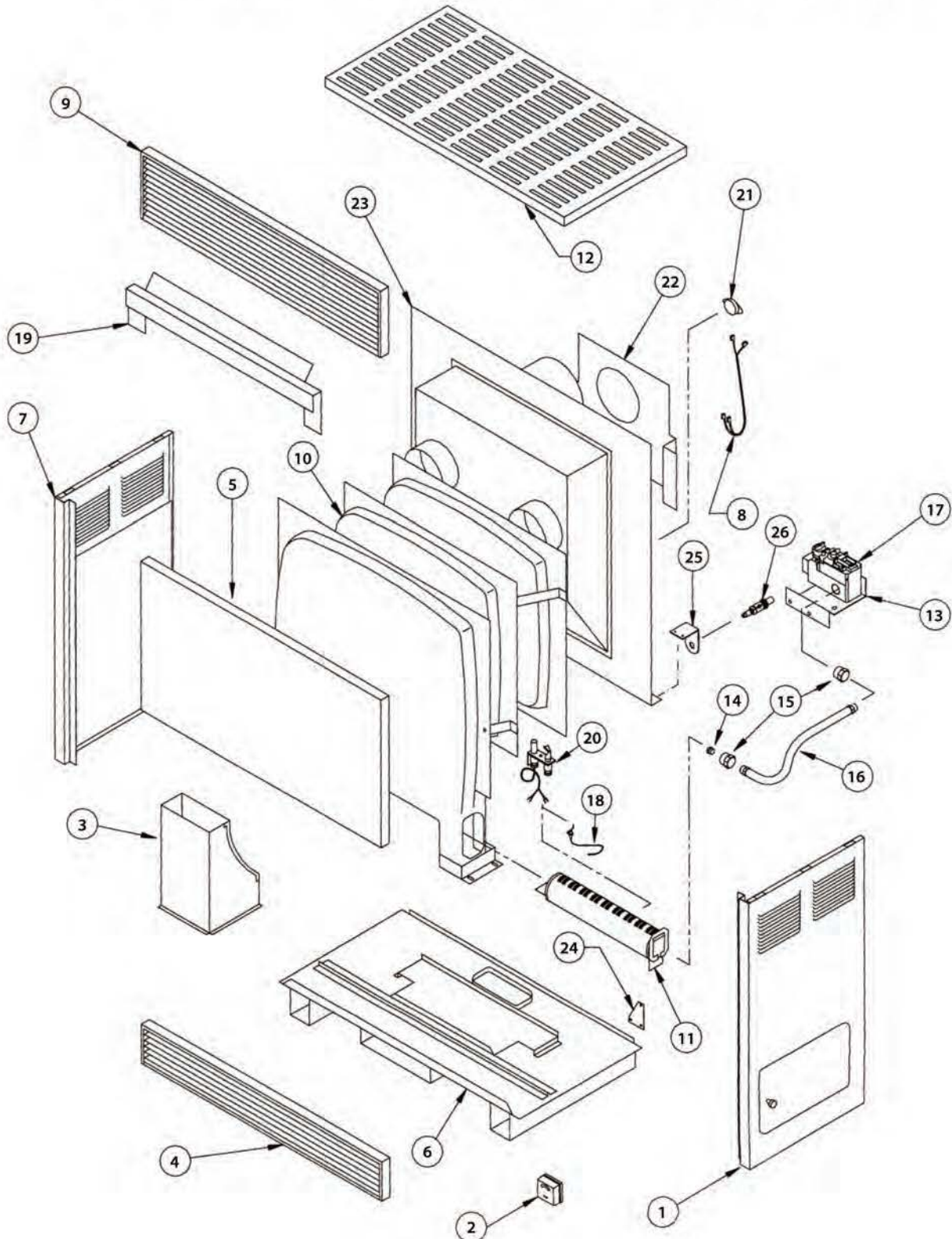
CABINET PARTS

Reference Number	Description	2001621A, 2011621A, 2031621A, 2051621A	2001622A, 2011622A, 2031622A, 2051622A
1	Wrapper Assembly	K000275	K000275
2	Draft Diverter Assembly	K000274	K000274
3	Combustion Chamber	8957	8957
4	Base Plate	K000265	K000265
5	Valve Bracket	K000850	K000850
6	Control Valve	P322660	P323011
7	Burner	K000851	K000851
8	Orifice Fitting	P500086	P500086
9	See Burner Orifice Sizing Chart		
10	Pilot	P323073	P323074
11	Thermocouple	P043800	P043800
12	Igniter Bracket	7A189	7A189
13	Vent Safety Switch	P323663	P323663
14	Thermostat	P322016	P322016
15	Wire Assembly	P500409	P500409
16	Manual Spark Igniter	P285500	P285500
17	Manifold Plate	K000852	K000852
18	Manifold Assembly	P323681	P323681

Enclosed Front Vented Room Heater

Model Numbers: 3501521A, 3511521A, 3531521A, 3551521A, 3501921A, 3511921A, 3531921A, 3551921A, 5001521A, 5011521A, 5031521A, 5051521A, 5001921A, 5011921A, 5031921A, 5051921A, 6501521A, 6511521A, 6531521A, 6551521A, 6501921A, 6511921A, 6531921A, 6551921A,

3501522A, 3511522A, 3531522A, 3551522A, 3501922A, 3511922A, 3531922A, 3551922A, 5001522A, 5011522A, 5031522A, 5051522A, 5001922A, 5011922A, 5031922A, 5051922A, 6501522A, 6511522A, 6531522A, 6551522A, 6501922A, 6511922A, 6531922A, 6551922A,



Enclosed Front Vented Room Heater

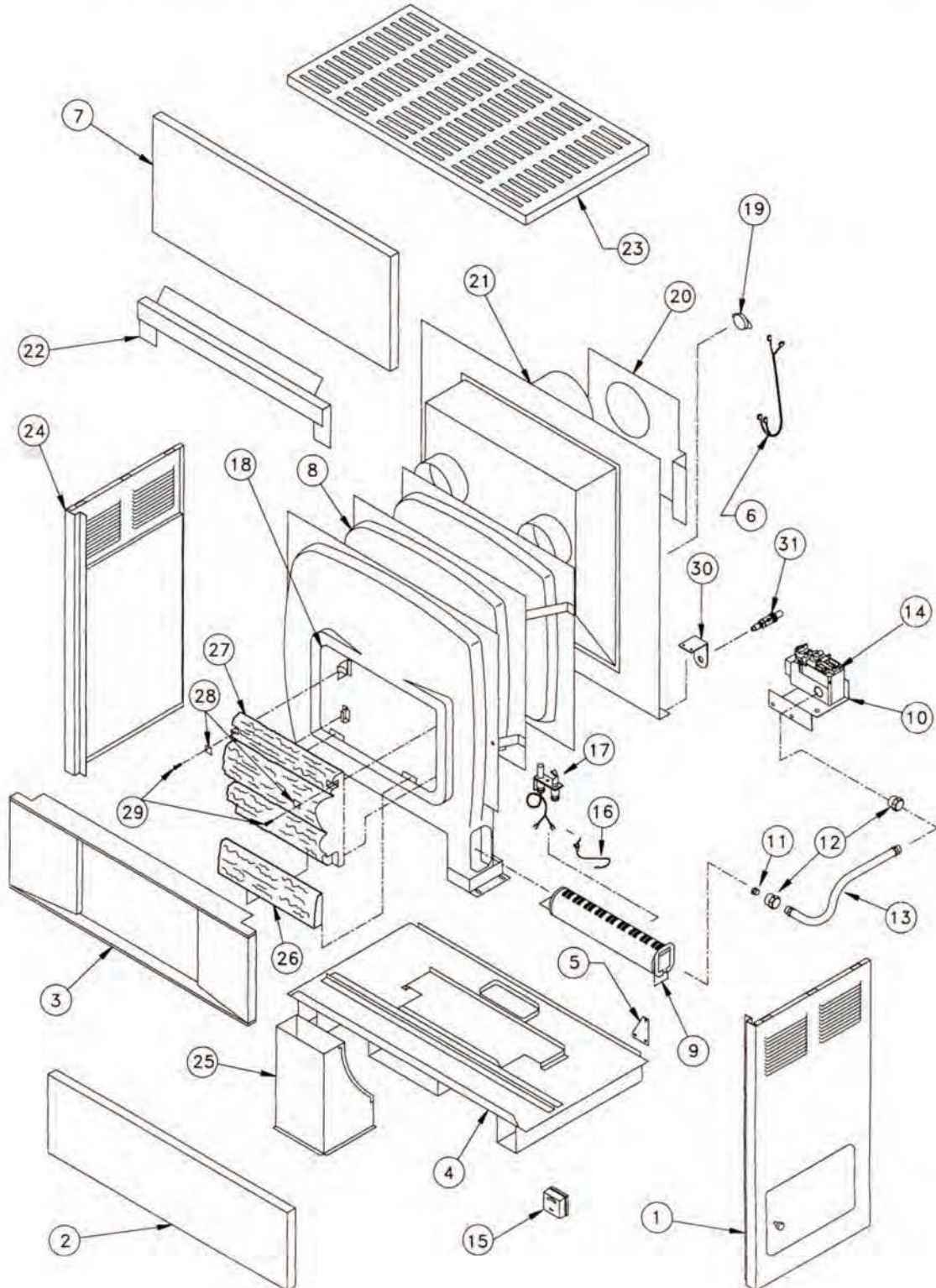
CABINET PARTS

Reference Number	Description	3501522A 3511522A 3531522A 3551522A 3501922A 3511922A 3531922A 3551922A	3501521A 3511521A 3531521A 3551521A 3501921A 3511921A 3531921A 3551921A	5001522A 5011522A 5031522A 5051522A 5001922A 5011922A 5031922A 5051922A	5001521A 5011521A 5031521A 5051521A 5001921A 5011921A 5031921A 5051921A	6501522A 6511522A 6531522A 6551522A 6501922A 6511922A 6531922A 6551922A	6501521A 6511521A 6531521A 6551521A 6501921A 6511921A 6531921A 6551921A
1	Panel Side Right	K000204	K000204	K000205	K000205	K000206	K000206
2	Thermostat	P322016	P322016	P322016	P322016	P322016	P322016
3	Inlet Duct	K7000-6022	K7000-6022	K7000-6022	K7000-6022	K7000-6022	K7000-6022
4	Bottom Louver Assembly	K000182-1	K000182-1	K000182-2	K000182-2	K000182-3	K000182-3
5	Center Panel	K000220	K000220	K000221	K000221	K000222	K000222
6	Cabinet Bottom	K5000-6003	K5000-6003	K5000-6004	K5000-6004	K5000-6019	K5000-6019
7	Panel Side Left	K000207	K000207	K000208	K000208	K000209	K000209
8	Wire Assembly	P500409	P500409	P500416	P500416	P500416	P500416
9	Top Louver Assembly	K000181	K000181	K000212-1	K000212-1	K000212-2	K000212-2
10	Combustion Chamber	8958	8958	8960	8960	8962	8962
11	Burner	P501620	P501620	P501621	P501621	P501622	P501622
12	Cabinet Top	K000223	K000223	K000224	K000224	K000225	K000225
13	Control Bracket	K000147	K000147	K000147	K000147	K000147	K000147
14	See Burner Orifice Sizing Chart						
15	Orifice Fitting	P500086	P500086	P500086	P500086	P500086	P500086
16	Manifold Assembly	P323687	P323687	P323679	P323679	P323680	P323680
17	Gas Control Valve	P323011	P322660	P323011	P322660	P323011	P322660
18	Thermocouple	P043801	P043801	P043801	P043801	P043801	P043801
19	Shield Cover	-	-	K7011-6030	K0711-6030	-	-
20	Pilot	P323074	P323073	P323074	P323073	P323074	P323073
21	Vent Safety Switch	P323663	P323663	P323664	P323664	P323664	P323664
22	Heat Shield (Rear)	K7003-6370	K7003-6370	K7003-6371	K7003-6371	K7003-6372	K7003-6372
23	Back Plate	K000309	K000309	K000310	K000310	K000526	K000526
24	Rear Corner Brace	K7003-6097	K7003-6097	K7003-6097	K7003-6097	K7003-6097	K7003-6097
25	Bracket	7A189	7A189	7A189	7A189	7A189	7A189
26	Manual Spark Igniter	P285500	P285500	P285500	P285500	P285500	P285500

Fireplace-Look Vented Room Heater

Model Numbers: 3502521A, 3512521A, 3532521A, 3552521A, 3502921A, 3512921A, 3532921A, 3552921A, 5002521A, 5012521A, 5032521A, 5052521A, 5002921A, 5012921A, 5032921A, 5052921A, 6502521A, 6512521A, 6532521A, 6552521A, 6502921A, 6512921A, 6532921A, 6552921A

3502522A, 3512522A, 3532522A, 3552522A, 3502922A, 3512922A, 3532922A, 3552922A, 5002522A, 5012522A, 5032522A, 5052522A, 5002922A, 5012922A, 5032922A, 5052922A, 6502522A, 6512522A, 6532522A, 6552522A, 6502922A, 6512922A, 6532922A, 6552922A



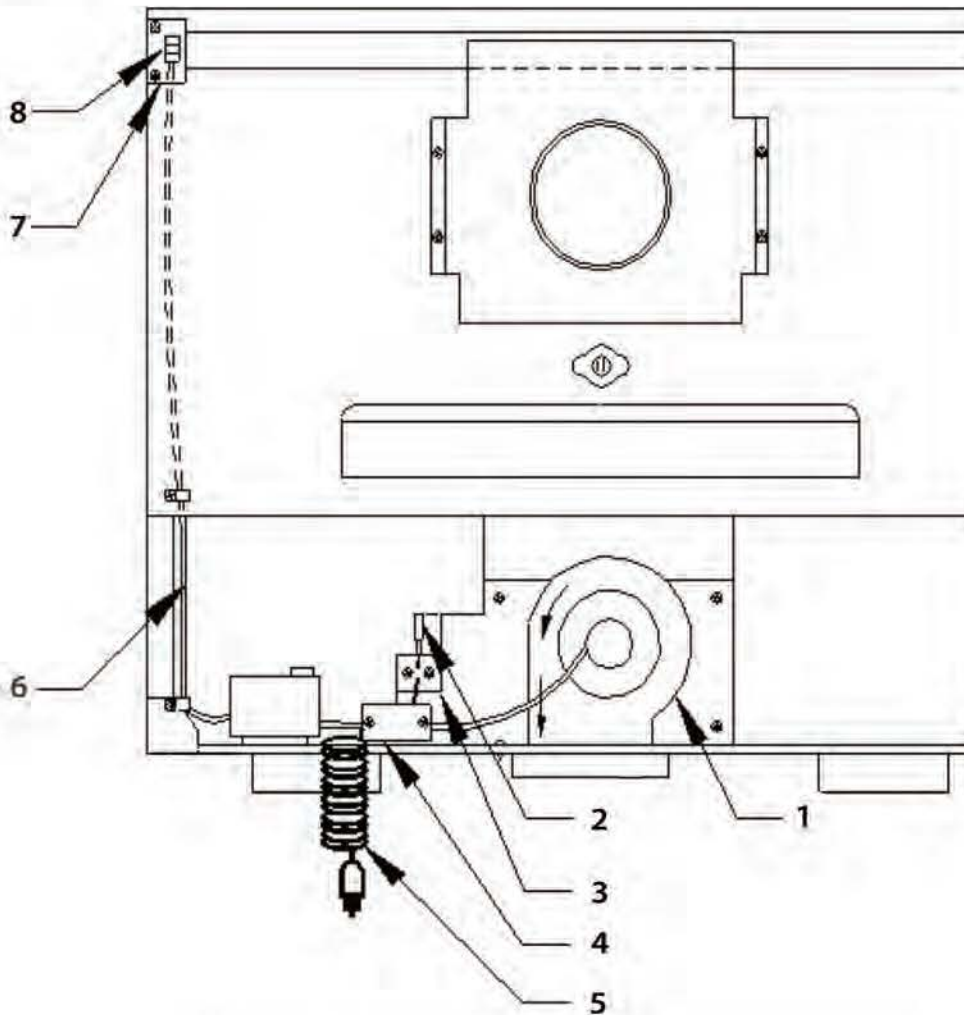
Fireplace-Look Vented Room Heater

CABINET PARTS

Reference Number	Description	3502522A	3502521A	5002522A	5002521A	6502522A	6502521A
		3512522A	3512521A	5012522A	5012521A	6512522A	6512521A
		3532522A	3532521A	5032522A	5032521A	6532522A	6532521A
		3552522A	3552521A	5052522A	5052521A	6552522A	6552521A
		3502922A	3502921A	5002922A	5002921A	6502922A	6502921A
		3512922A	3512921A	5012922A	5011921A	6512922A	6512921A
		3532922A	3532921A	5032922A	5032921A	6532922A	6532921A
		3552922A	3552921A	5052922A	5052921A	6552922A	6552921A
1	Panel Side Right	K000204	K000204	K000205	K000205	K000206	K000206
2	Bottom Panel	K000229	K000229	K000230	K000230	K000231	K000231
3	Hearth	K000462	K000462	K000463	K000463	K000464	K000464
4	Cabinet Bottom	K5000-6003	K5000-6003	K5000-6004	K5000-6004	K5000-6019	K5000-6019
5	Rear Corner Brace	K7003-6097	K7003-6097	K7003-6097	K7003-6097	K7003-6097	K7003-6097
6	Wire Assembly	P500409	P500409	P500416	P500416	P500416	P500416
7	Top Panel	K000232	K000232	K000233	K000233	K000234	K000234
8	Combustion Chamber	8959	8959	8961	8961	8963	8963
9	Burner	P501620	P501620	P501621	P501621	P501622	P501622
10	Control Bracket	K000147	K000147	K000147	K000147	K000147	K000147
11	See Burner Orifice Sizing Chart						
12	Orifice Fitting	P500086	P500086	P500086	P500086	P500086	P500086
13	Manifold Assembly	P323678	P323678	P323679	P323679	P323680	P323680
14	Gas Control Valve	P323011	P322660	P323011	P322660	P323011	P322660
15	Thermostat	P322016	P322016	P322016	P322016	P322016	P322016
16	Thermocouple	P043801	P043801	P043801	P043801	P043801	P043801
17	Pilot	P323074	P323073	P323074	P323073	P323074	P323073
18	Window Assembly	K000450	K000450	K000451	K000451	K000452	K000452
19	Vent Safety Switch	P323663	P323663	P500406	P500406	P323663	P323663
20	Heat Shield	K7003-6370	K7003-6370	K7003-6371	K7003-6371	K7003-6372	K7003-6372
21	Back Plate	K000309	K000309	K000527	K000527	K000311	K000311
22	Shield Cover	-	-	K7011-6030	K7011-6030	K7011-6031	K7011-6031
23	Cabinet Top	K000223	K000223	K000224	K000224	K000225	K000225
24	Panel Side Left	K000207	K000207	K000208	K000208	K000209	K000209
25	Inlet Duct	K7000-6022	K7000-6022	K7000-6022	K7000-6022	K7000-6022	K7000-6022
26	Front Log	P500678	P500678	P500679	P500679	P500680	P500680
27	Rear Log Set	P500674	P500674	P500675	P500675	P500676	P500676
29	Stainless Steel Screw (2)	***	***	***	***	***	***
30	Bracket	7A189	7A189	7A189	7A189	7A189	7A189
31	Manual Spark Igniter	P285500	P285500	P285500	P285500	P285500	P285500

Vented Room Heater Blower

MODEL 2102

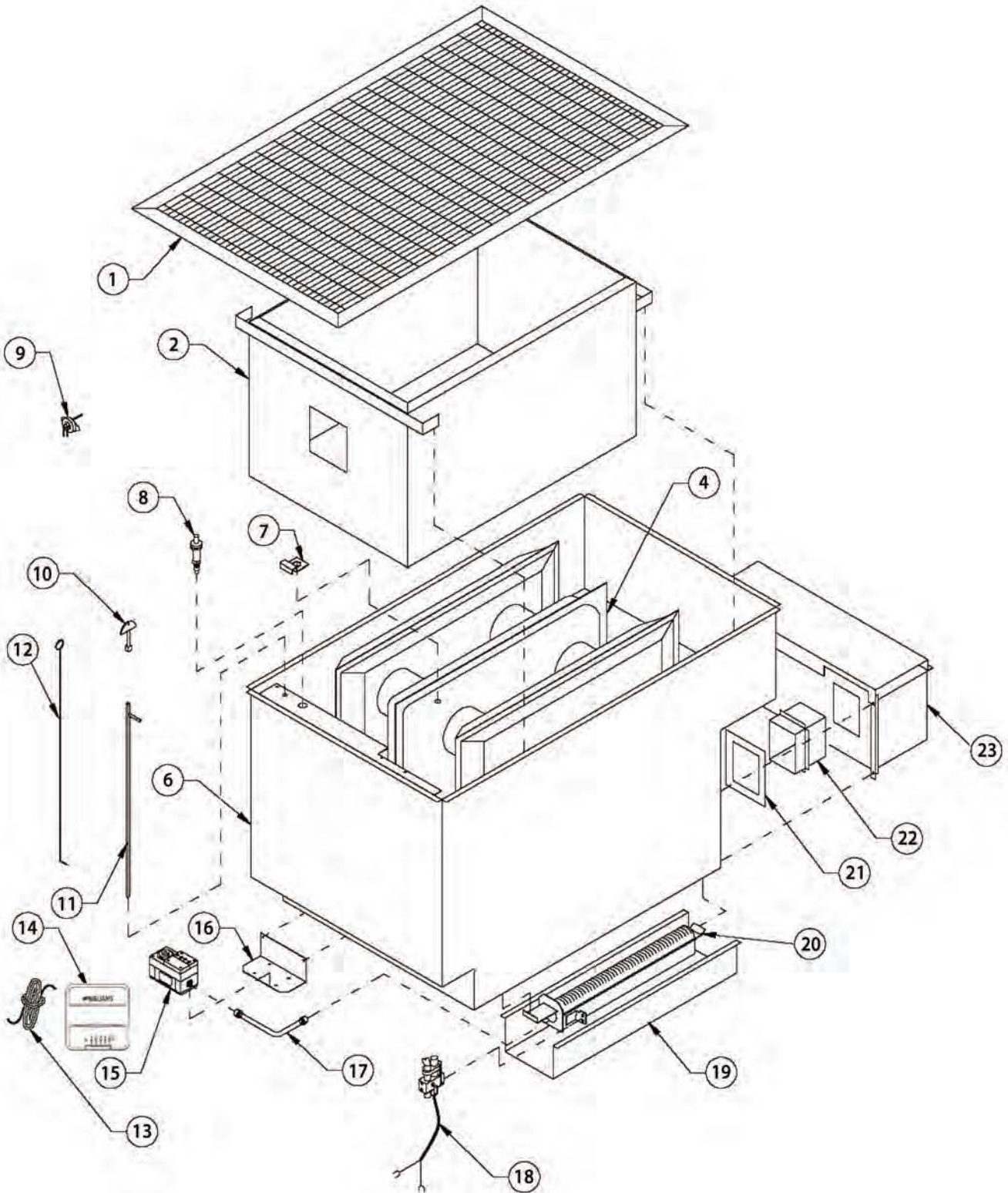


MODEL 2101

Reference Number	Description	Part Number
1	Motor	P501779
2	Fan Switch	P323096
3	Fan Switch Plate	K000862
4	Junction Box	90-01005-000-02
5	Cord and Plug	P501778
6	Wire (Red)	P202900
6	Wire (Black)	P202800
6	Wire (Blue)	P202700
7	Speed Switch Plate	K000862
8	Speed Switch	P320911A
Not shown	Switch Mounting Bracket – 500 Series	K000868
	Switch Mounting Bracket – 650 Series	K000870

Floor Furnace

Model Numbers: 4505621A, 4515621A, 4535621A, 4555621A, 6005621A, 6015621A, 6035621A, 6055621A, 4505622A, 4515622A, 4565622A, 4555622A, 6005622A, 6015622A, 6035622A, 6055622A



Floor Furnace

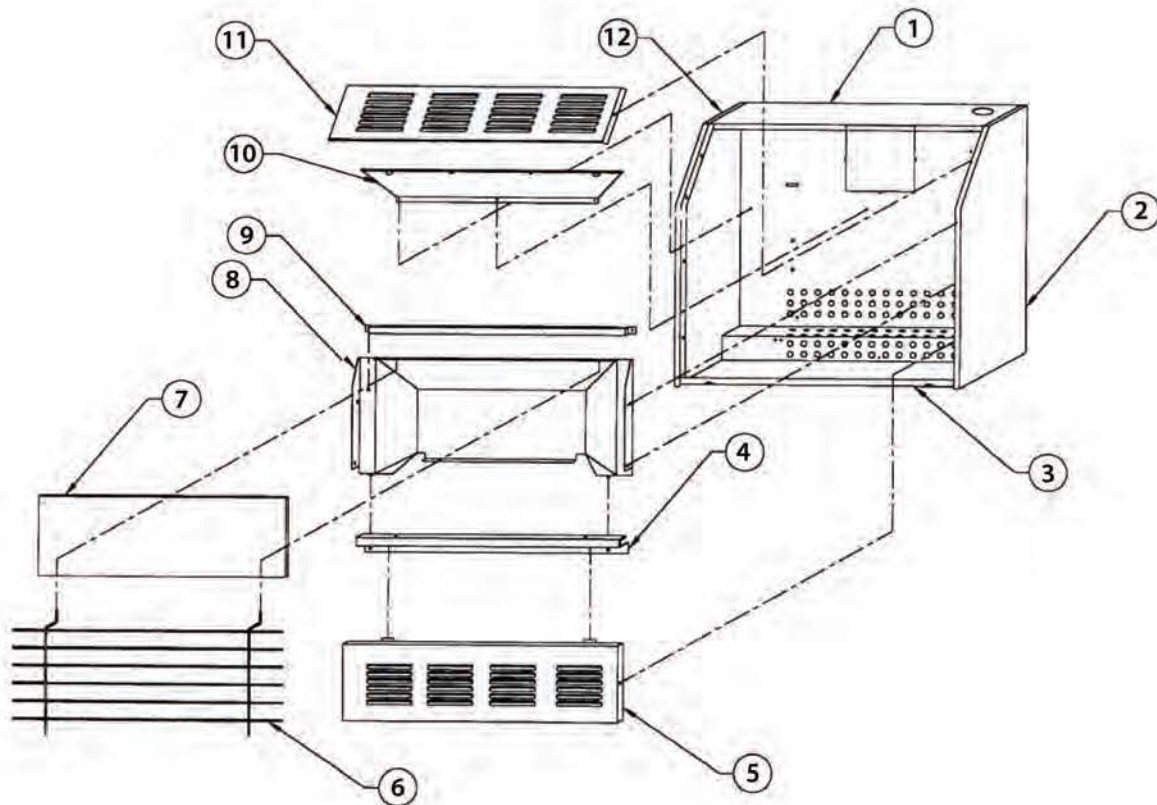
CABINET PARTS

Reference Number	Description	4505621A	4505622A	6505621A	6505622A
		4515621A	4515622A	6515621A	6515622A
		4535621A	4535622A	6535621A	6535622A
		4555621A	4555622A	6555621A	6555622A
1	Floor Grille	P322428	P322428	P322429	P322429
2	Inner Liner Assembly	4B0041	4B0041	4B0042	4B0042
4	Combustion Chamber	8964	8964	8965	8965
6	Outer Shield Assembly	4B0036	4B0036	4B0069	4B0069
7	Observation Door	12B40	12B40	12B40	12B40
**	Observation Door Gasket	P100100	P100100	P100100	P100100
8	Manual Spark Igniter	P285500	P285500	P285500	P285500
9	Limit Switch	P323031	P323031	P323031	P323031
10	Control Key	P322445	P322445	P322445	P322445
11	Control Rod	4A0037	4A0037	4A0037	4A0037
12	Lighter Rod	P322431	P322431	P322431	P322431
13	Thermostat Wire	P710000	P710000	P710000	P710000
14	Thermostat	P322016	P322016	P322016	P322016
15	Control Valve	P323178	P323177	P323178	P323177
16	Valve Bracket	4B0087	4B0087	4B0087	4B0087
17	Manifold Assembly	P323677	P323677	P323677	P323677
18	Pilot	P501618	P501617	P501618	P501617
19	Burner Shield	4B0014	4B0014	4B0010	4B0010
20	Burner	P323674	P323674	P323673	P323673
21	Flue Outlet Gasket	P322439	P322439	P322439	P322439
22	Draft Hood Collar Assembly	4B0072	4B0072	4B0072	4B0072
23	Draft Hood Assembly	4B0026	4B0026	4B0026	4B0026
**	See Burner Orifice Sizing Chart				

** Not shown

Blue-Flame Vent-Free Heater

Model Numbers: 0656541.9, 1056511.9, 1056541.9, 2056511.9, 3056511.9
 0656542.9, 1056512.9, 1056542.9, 2056512.9, 3056512.9

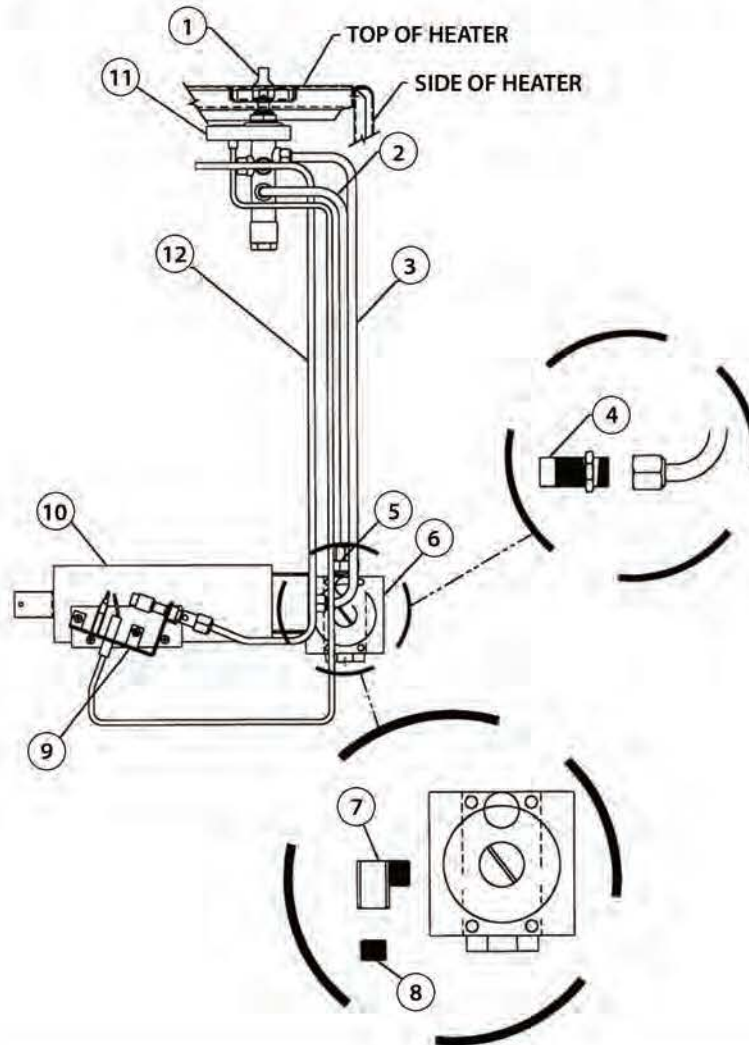


CABINET PARTS

Reference Number	Description	0656541.9 0656542.9	1056541.9 1056542.9	1056511.9 1056512.9	2056511.9 2056512.9	3056511.9 3056512.9
1	Top Panel	26B155		26D005-1	26D003-1	26D004-1
2	Panel - Right Side	26D002-2			26D001-2	
3	Back Panel	26C001			26C002	26C003
4	Bottom Glass Support	26B027			26B025-1	26B025-2
5	Bottom Front Panel	26B005			26B006	26B007
6	Front Screen	P322744			P322746	P322748
7	Glass	P322902			P322901	P322900
8	Hearth Assembly	26B098			26B099	26B100
9	Top Glass Support	26B026-1			26B026-2	26B026-3
10	Deflector	26B101			26B102	26B103
11	Top Front Panel	26B002			26B003	26B004
12	Left Side Panel	26D002-1			26D001-1	

Blue-Flame Vent-Free Heater

CONTROL ASSEMBLY FOR MODELS: 0656541.9, 0656542.9, 1056541.9, 1056542.9

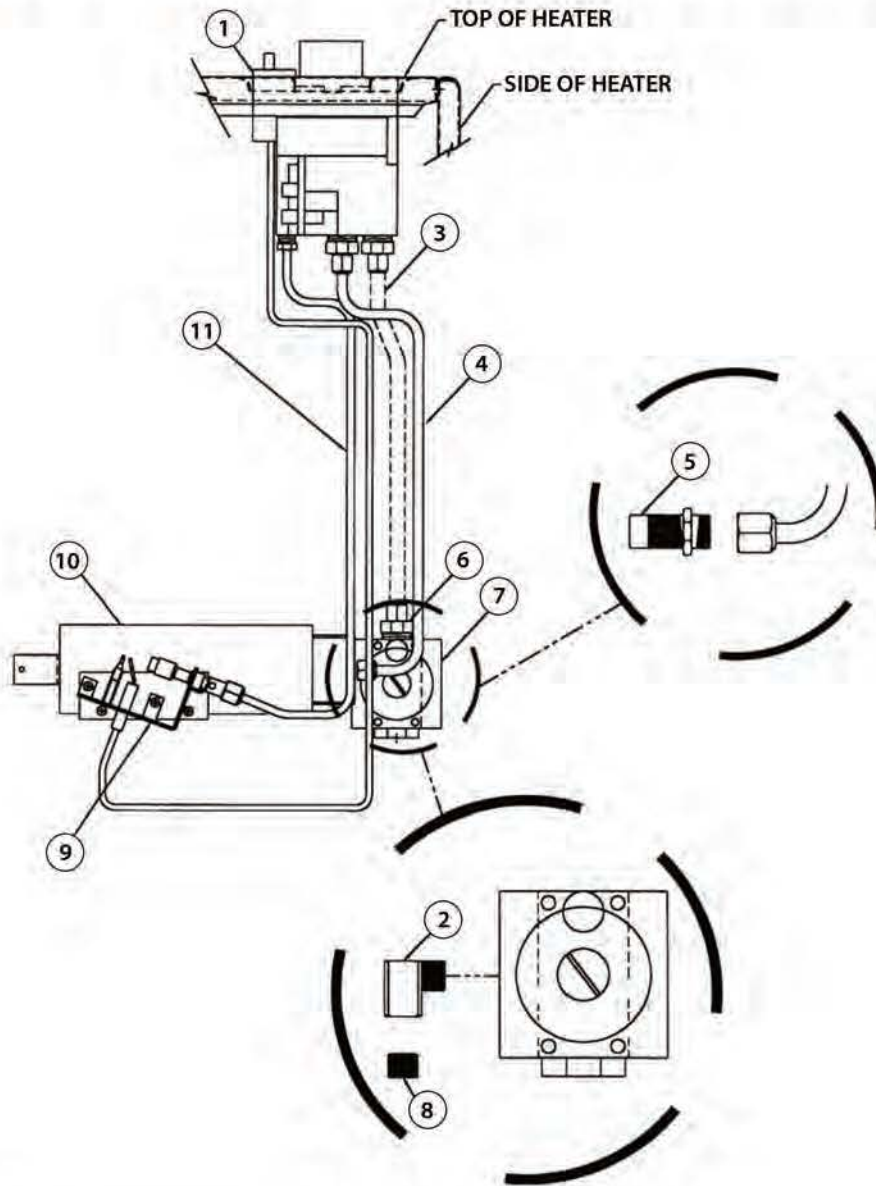


CONTROL ASSEMBLY

Reference Number	Description	0656541.9	0656542.9	1056541.9	1056542.9
1	Knob	P322658			
2	Regulator Tube Assembly	26B032			
3	Burner Tube Assembly	26B033			
4	Orifice	P322916	P322915	P322914	P322913
5	3/8" Fitting	P322918			
6	Regulator	P322899	P322898	P322899	P322898
7	Street Elbow	P322903			
8	Regulator Plug	P323018			
9	O.D.S. Pilot	P322893	P322892	P322893	P322892
10	Burner Assembly	26B112-1	26B112-2	26B113-1	26B113-2
11	Valve	P322740			
12	Pilot Tube Assembly	26B034			

Blue-Flame Vent-Free Heater

CONTROL ASSEMBLY FOR MODELS: 1056511.9, 1056512.9, 2056511.9, 2056512.9, 3056511.9, 3506512.9

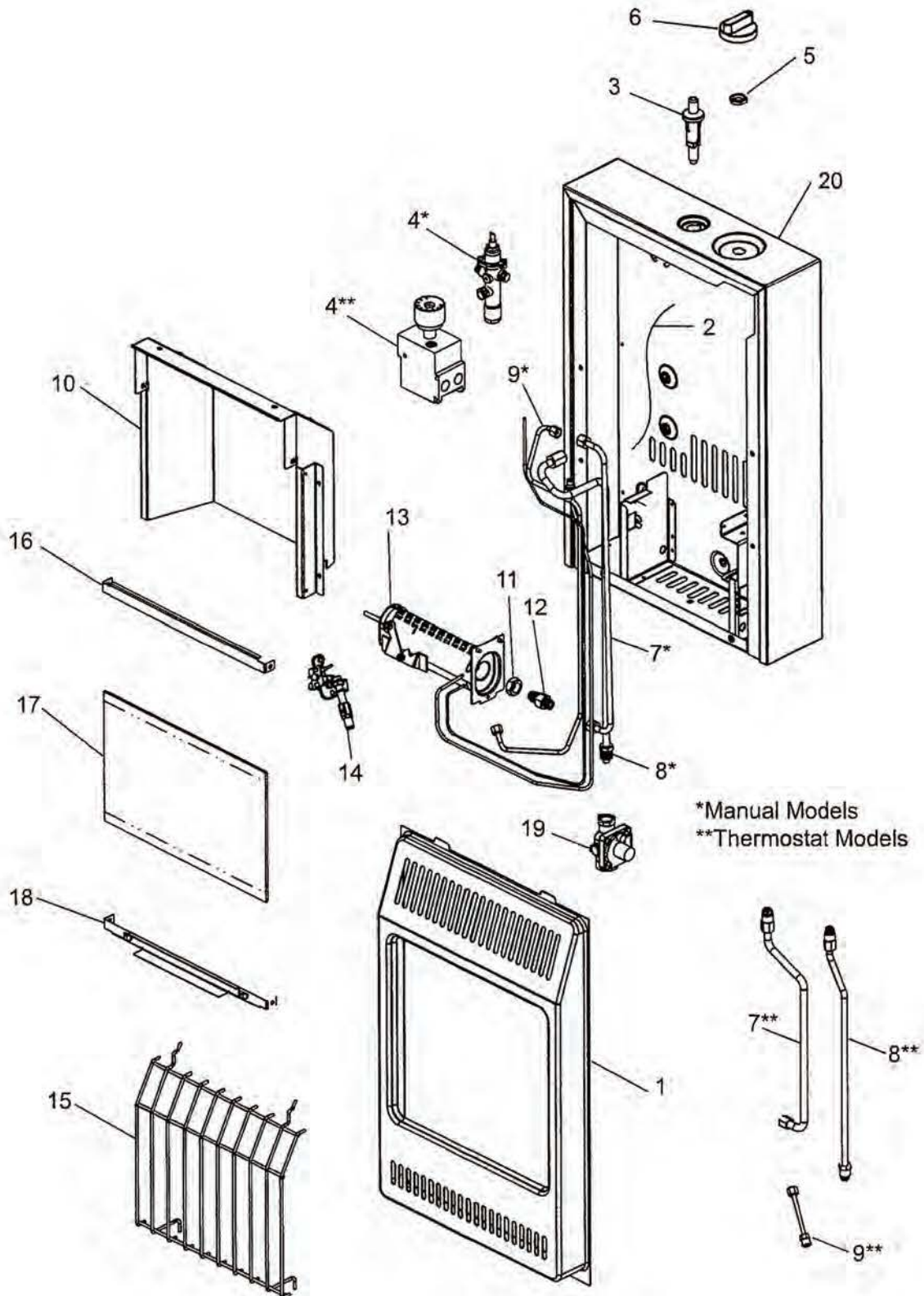


CONTROL ASSEMBLY

Reference Number	Description	1056511.9	1056512.9	2056511.9	2056512.9	3056511.9	3056512.9
1	Valve Assembly	26C007-1	26C007-2	26C007-3	26C007-4	26C007-5	26C007-6
2	Street Elbow	P322903					
3	Regulator Tube Assembly	26B028		26B032			
4	Burner Tube Assembly	26B029		26B033			
5	Orifice	P322914	P322913	P322912	P322911	P322910	P322909
6	3/8" Fitting	P322919					
7	Regulator	P322899	P323007	P322899	P323007	P322899	P323007
8	Regulator Plug	P323018					
9	O.D.S. Pilot	P322893	P322892	P322893	P322892	P322893	P322892
10	Burner	26B113-1	26B113-2	26B114-1	26B114-2	26B115-1	26B115-2
11	Pilot Tube Assembly	26B034		26B030		26B031	

Blue-Flame Vent-Free Heater

Model Numbers: 1086541.9, 1086542.9, 1086511.9, 1086512.9



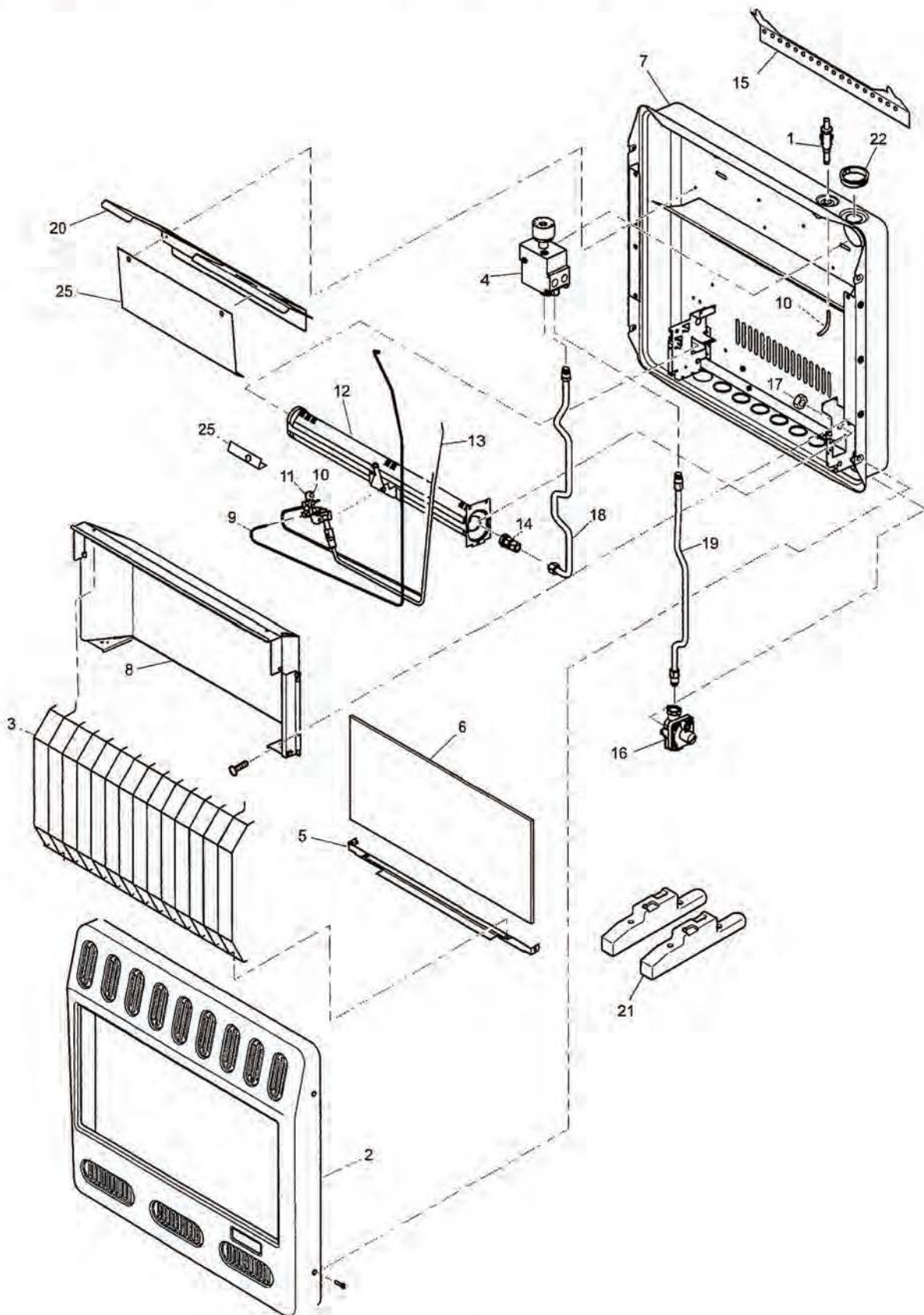
Blue-Flame Vent-Free Heater

CABINET PARTS						
Reference Number	Description	Part Number	1086511.9	1086512.9	1086541.9	1086542.9
1	Front Panel	099217-02CP	X	X	X	X
2	Grille Guard	098271-03	X	X	X	X
3	Piezo Igniter	097159-04	X	X	X	X
4	Control Valve	099413-01				X
		099413-02			X	
		098522-11		X		
		098522-18	X			
5	Valve Nut	098508-01			X	X
6	Control Knob	099393-02			X	X
7	Burner Tube	099462-01			X	X
		104261-01	X	X		
8	Regulator Tube	099391-02			X	X
	Inlet Tube	104264-01	X	X		
9	Pilot tube	099387-17			X	X
		099387-11	X	X		
10	Deflector	099317-02	X	X	X	X
11	Hex Nut	NJF 8C	X	X	X	X
12	Orifice	104259-01				X
		104259-02			X	
		104259-05		X		
		104259-06	X			
13	Burner Tube	104263-03	X	X	X	X
14	OSD Pilot	120630-03		X		X
		120630-02	X		X	
15	Grille Guard	099318-04	X	X	X	X
16	Top Glass Retainer	099319-02	X	X	X	X
17	Glass Panel	098260-11	X	X	X	X
18	Bottom Glass Panel	102017-02	X	X	X	X
19	Gas Regulator	099415-17		X		X
		099415-18	X		X	
20	Cabinet Assembly	***	X	X	X	X

*** Not a field replaceable part

Blue-Flame Vent-Free Heater

Model Numbers: 2086511.9, 3086511.9, 2086512.9, 3086512.9



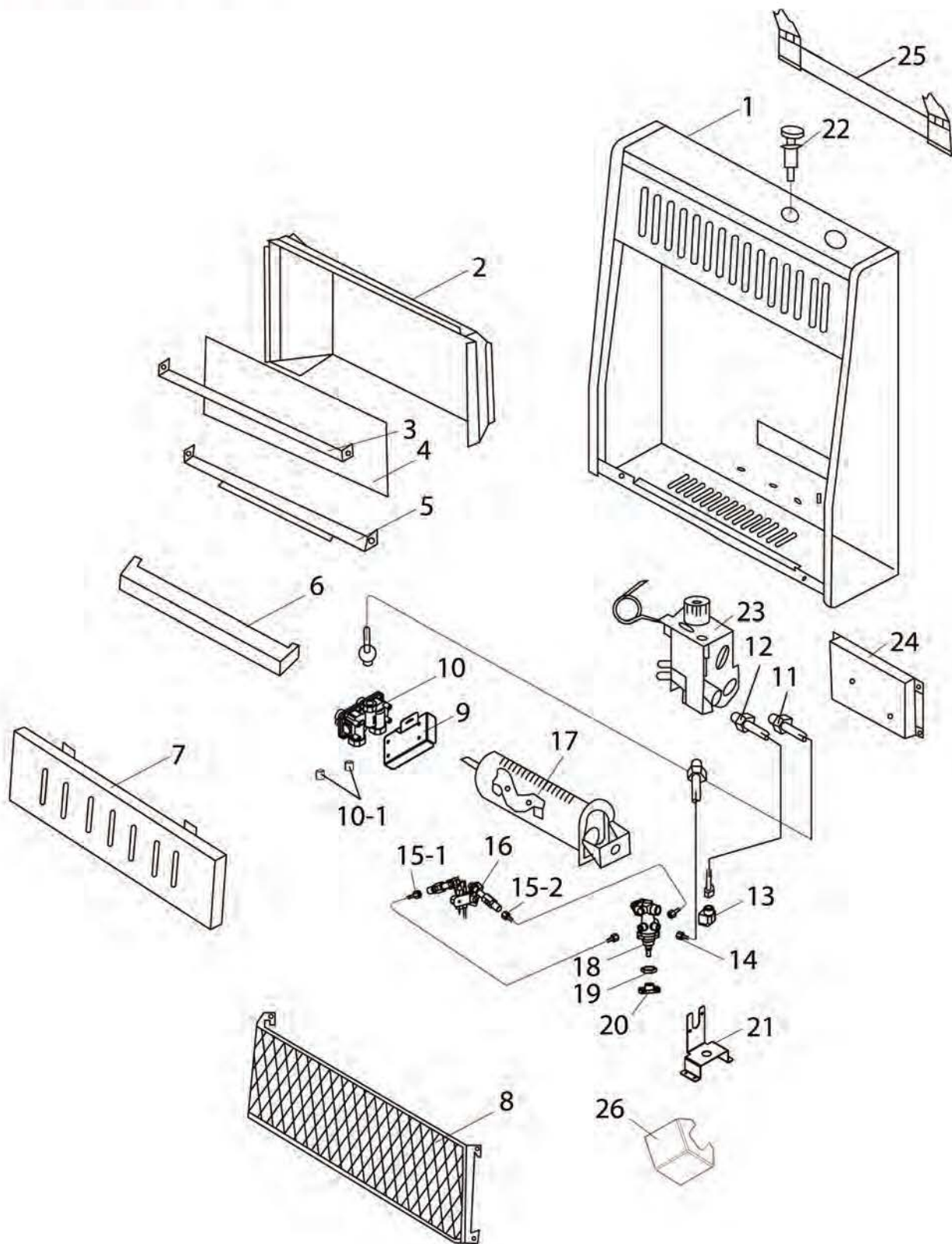
Blue-Flame Vent-Free Heater

CABINET PARTS						
Reference Number	Description	Part Number	2086511.9	2086512.9	3086511.9	3086512.9
1	Piezo Igniter	097159-04	X	X	X	X
2	Front Panel	107673-01	X	X		
		107676-01	X		X	X
3	Grille Guard	103476-01	X	X		
		103476-02			X	X
4	Gas Control Valve LP	098522-11		X		
	Gas Control Valve NG	098522-12			X	
	Gas Control Valve LP	098522-13				X
	Gas Control Valve NG	098522-28	X			
5	Bottom Glass Retainer	104189-01	X	X		
		104189-02			X	X
6	Glass	098260-09	X	X		
		098260-10			X	X
7	Cabinet	***	X	X	X	X
8	Deflector Assembly	107894-14	X	X		
		107894-15			X	X
9	Ignitor Cable	098271-03	X	X	X	X
10	ODS Nut	098249-01	X	X	X	X
11	ODS/Pilot NG	120630-03		X		X
	ODS/Pilot LP	120630-02	X		X	
12	Burner	103446-02	X	X		
	Burner	103447-08			X	X
13	Pilot Tubing	099387-03	X	X	X	X
14	Orifice	103845-05	X			
		103845-06		X		
		103845-07			X	
		103845-08				X
15	Mounting Bracket	099066-02	X	X	X	X
16	Gas Regulator LP	099415-17		X		X
	Gas Regulator NG	099415-18	X		X	
17	Hex Nut	NJF-BC	X	X	X	X
18	Burner Tube	103255-02	X	X	X	X
19	Inlet Tube	103256-02	X	X	X	X
20	Upper Baffle	118721-03	X	X		
		118721-04			X	X
21	Base Feet	107889-01	X	X	X	X
22	Snap Bushing	111421-01	X	X	X	X

*** Not a filed replaceable part

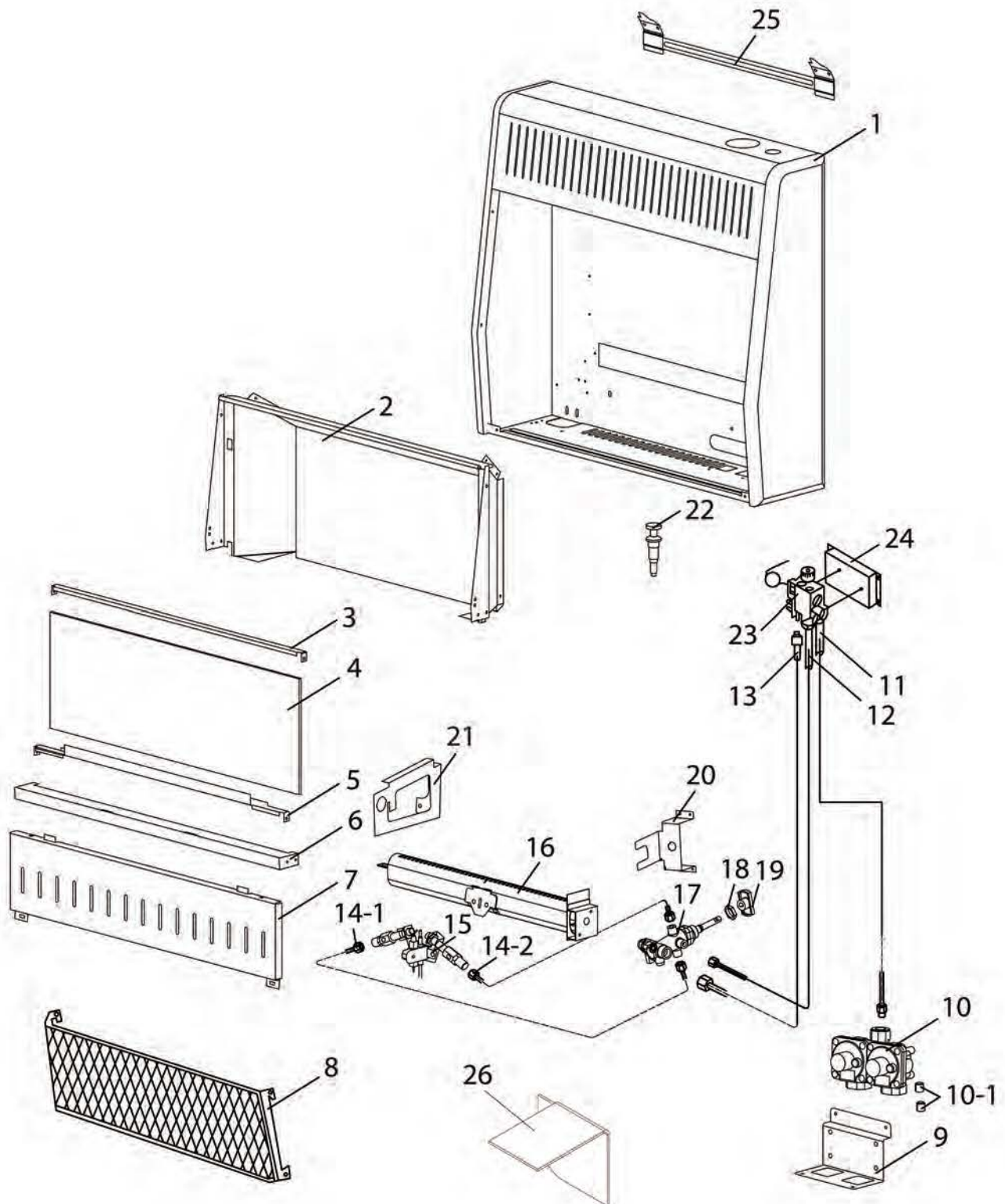
Blue-Flame Vent-Free Heater

Model Number: 1096513.9



Blue-Flame Vent-Free Heater

Model Numbers: 2096513.9, 3096513.9



Blue-Flame Vent-Free Heater

Model Number: 1096513.9

Model Numbers: 2096513.9, 3096513.9

CABINET PARTS

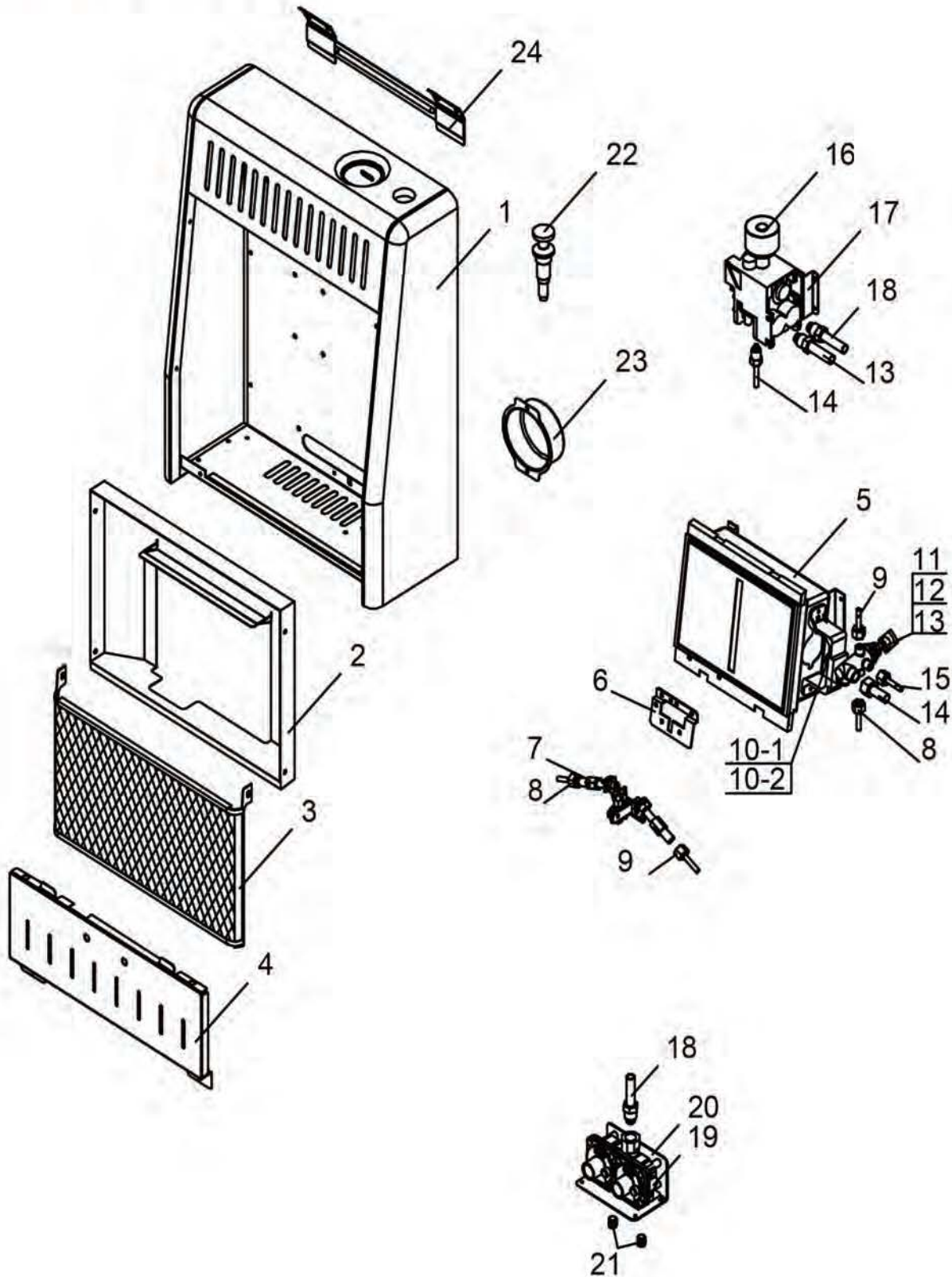
1	Cabinet Assembly	MB10053D
2	Reflector Unit	MB11005
3	Upper Glass Retainer	ML087-03
4	Glass	ML086-03
5	Lower Glass Retainer	ML088-03
6	Middle Panel	ML084-03
7	Lower Front Panel Assembly	MB09003
8	Grill Guard	MB29003
9	Left Regulator Mounting	ML103-03D
10	Pressure Regulator Assembly	RV83FI-4/9
10-1	Plug	PF120820
11	Main Inlet Tube Assembly	MB40003D
12	Burner Inlet Tube Assembly	MB40013D
13	Pipe Outlet Nut	DPL027-01
14	To ODS Line Assembly	MB40023D
15-1	To ODS Line Assembly	MB40023DN
15-2	To ODS Line Assembly	MB40023DL
16	ODS	NDD0308-800-1
17	Burner Assembly	NBD-10
18	Fuel Selection Device Assembly	LHY-MD100TBA-B
19	Fuel Selection Device Fixed Nut	ML029-01
20	Fuel Selection Device Knob	MDL304B
21	Bracket	ML104-03D
22	Ignitor Assembly	ML083-03
23	Thermostat Valve Assembly	SIT545-130-B
24	Bracket	ML111-02A
25	Mounting Bracket	MB060-02
26	ODS Deflector	FB28D157-B

CABINET PARTS

1	Cabinet Assembly	MB10052D	MB10054D
2	Reflector Unit	MB11004	MB11052
3	Upper Glass Retainer	ML087-02	ML087-01
4	Glass	ML086-02	ML086-01
5	Lower Glass Retainer	ML088-02	ML088-01
6	Middle Panel	ML157-02	ML157-01
7	Lower Front Panel Assembly	MB09002	MB09051
8	Grill Guard	MB29002	MB29001
9	Strengthen Plate	MML231-01	MML231-01
10	Pressure Regulator Assembly	RV83FI-4/9	RV83FI-4/9
10-1	Plug	PF120820	PF120820
11	Main Inlet Tube Assembly	MB40002D	MB40004D
12	Burner Inlet Tube Assembly	MB40012D	MB40014D
13	To ODS Line Assembly	MB40022D	MB40024D
14-1	To ODS Line Assembly	MB40022DN	MB40024DN
14-2	To ODS Line Assembly	MB40022DL	MB40024DL
15	ODS	NDD0308-800-1	NDD0308-800-1
16	Burner Assembly	NBD-20	NBD-30B
17	Fuel Selection Device Assembly	LHY-MD200TBA-B	LHY-MD300TBA-B
18	Fuel Selection Device Fixed Nut	ML029-01	ML029-01
19	Fuel Selection Device Knob	MDL304B	MDL304B
20	Bracket	ML104-01D	ML104-01D
21	Left Regulator Mounting	ML103-01	ML103-01
22	Ignitor Assembly	ML083-03	ML083-03
23	Thermostat Valve Assembly	SIT545-200-B	SIT545-250-B
24	Bracket	ML111-01A	ML111-01A
25	Mounting Bracket	MB060-01	MB060-01
26	ODS Deflector	ML105-03D	ML105-03D

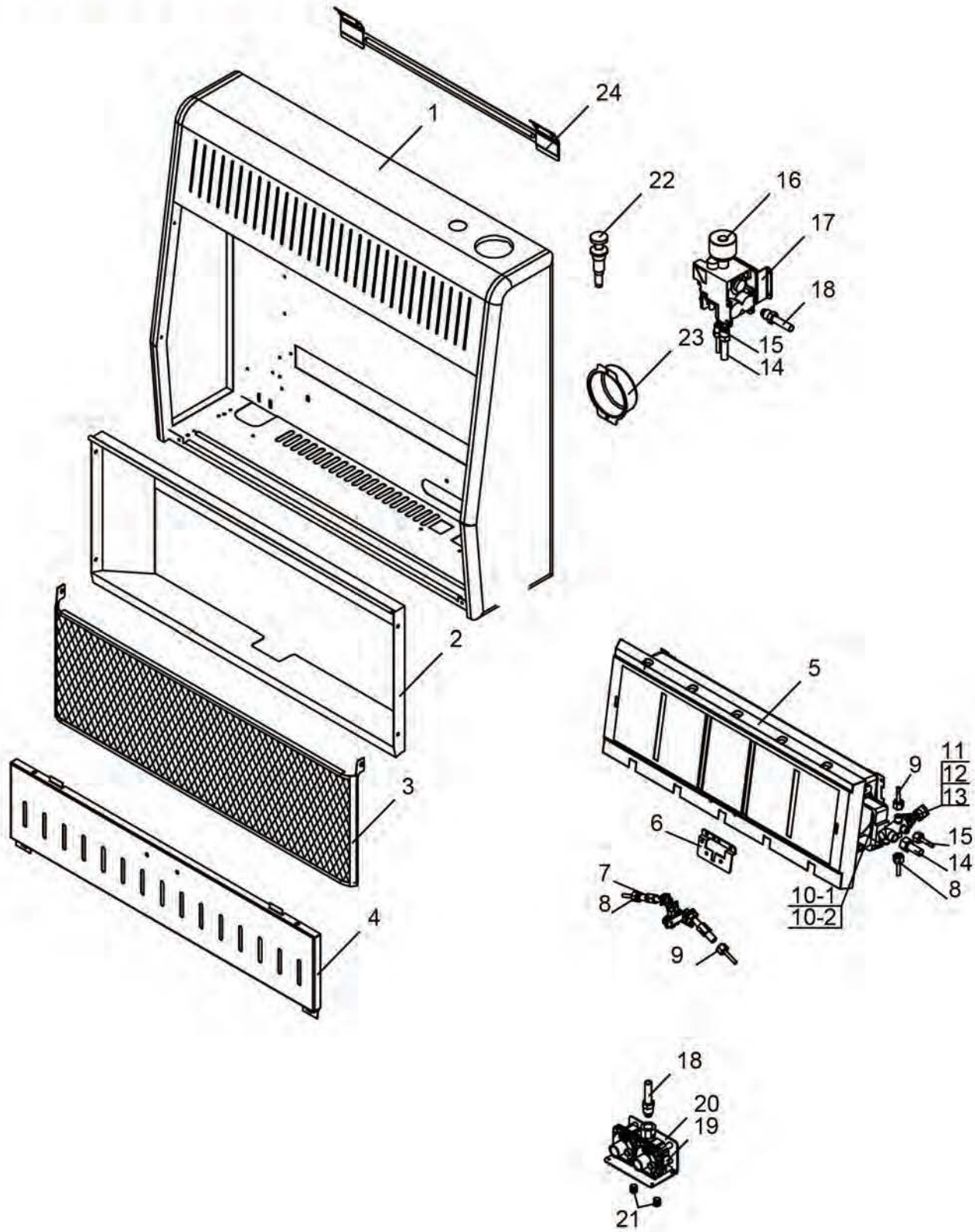
Infrared Vent-Free Heater

Model Number: 1096513



Infrared Vent-Free Heater

Model Number: 3096513



Infrared Vent-Free Heater

Model Number: 1096513

Model Number: 3096513

CABINET PARTS

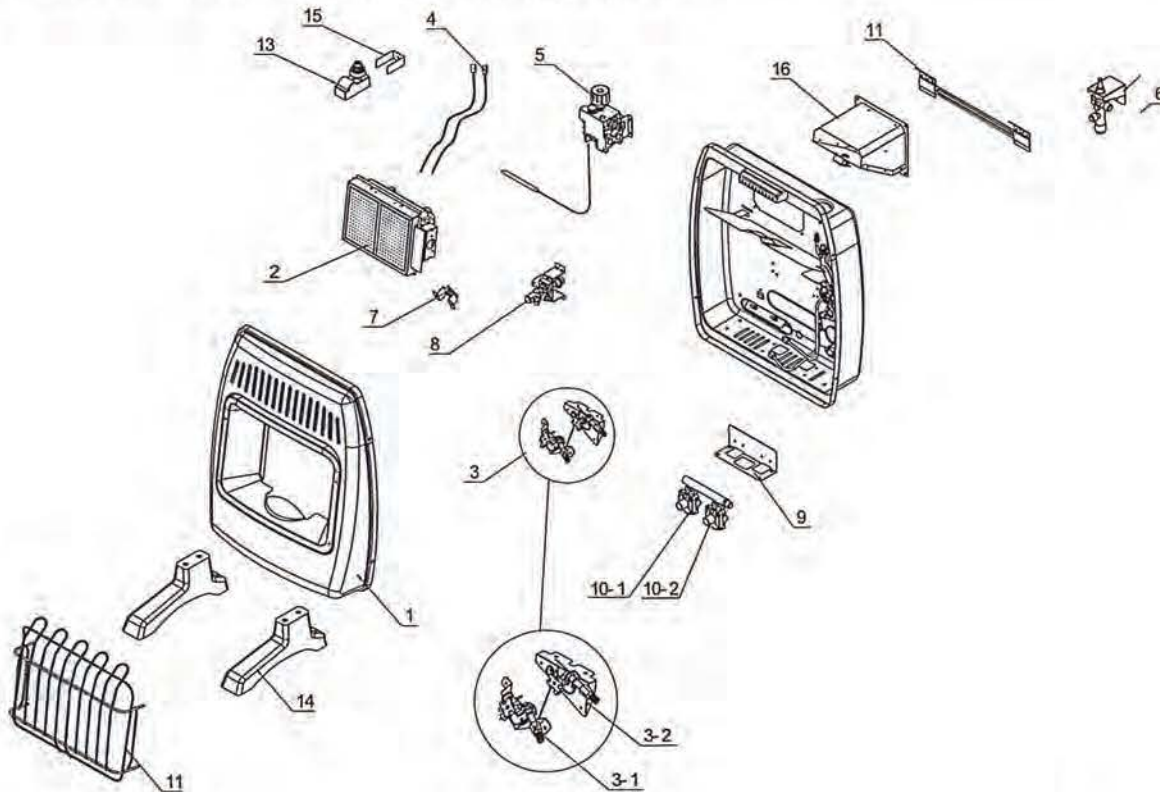
1	CABINET ASSEMBLY	MB10053-2DP-CG
2	REFLECTOR UNIT	ML161-03
3	GRILLE GUARD	MB29003W
4	LOWER FRONT PANEL ASSEMBLY	MB09003W
5	BURNER CAN ASSEMBLY	DFPB-2B-MB
6	ODS BRACKET	PF-MED
7	ODS	NDD0308-800-1
8	ODS OUTLET TUBE (NG)	MB40023DPN
9	ODS OUTLET TUBE (LP)	MB40023DPL
10	INJECTOR (INNER)	ML090-03N
11-1	INJECTOR (OUTER)	ML090-03L
11-2	GAS SELECTOR VALVE ASSEMBLY	LHY-P-300
12	MAIN VALVE NUT	ML029-01
13	VALVE KNOB	MDL304B
14	MAIN OUTLET TUBE ASM	MB40013DP
15	ODS/PILOT GAS TUBE ASM	MB40023DP
16	THERMOSTAT VALVE ASM	SIT544-130-B
17	THERMOSTAT VALVE BASE	ML111-02A
18	MAIN INLET TUBE ASM	MB40003DP
19	REGULATOR	RV83FI-6/10
20	REGULATOR BRACKET	MML231-01
21	REGULATOR PLUG	PF120820
22	IGNITOR	ML083-03
23	GAS SELECTOR VALVE COVER	MDL303-02A-CG
24	MOUNTING BRACKET ASM	MB060-02

CABINET PARTS

1	CABINET ASSEMBLY	MB10051-5DP-CG
2	REFLECTOR UNIT	MB11051-5DP
3	GRILLE GUARD	MB29001W
4	LOWER FRONT PANEL ASSEMBLY	MB09051W
5	BURNER CAN ASSEMBLY	DFPB-5B-MB
6	ODS BRACKET	PF-MED
7	ODS	NDD0308-800-1
8	ODS OUTLET TUBE (NG)	MB40021DPN
9	ODS OUTLET TUBE (LP)	MB40021DPL
10-1	INJECTOR (INNER)	ML090-01L
10-2	INJECTOR (OUTER)	ML090-01N
11	GAS SELECTOR VALVE ASSEMBLY	LHY-P-300
12	MAIN VALVE NUT	ML029-01
13	VALVE KNOB	MDL304B
14	MAIN OUTLET TUBE ASM	MB40011DP
15	ODS/PILOT GAS TUBE ASM	MB40021DP
16	THERMOSTAT VALVE ASM	SIT545-250-B
17	THERMOSTAT VALVE BASE	ML111-01A
18	MAIN INLET TUBE ASM	MB40001DP
19	REGULATOR	RV83FI-6/10
20	REGULATOR BRACKET	MML231-01
21	REGULATOR PLUG	PF120820
22	IGNITOR	ML083-03
23	GAS SELECTOR VALVE COVER	MDL303-02A-CG
24	MOUNTING BRACKET ASM	MB060-01

Infrared Vent-Free Heater

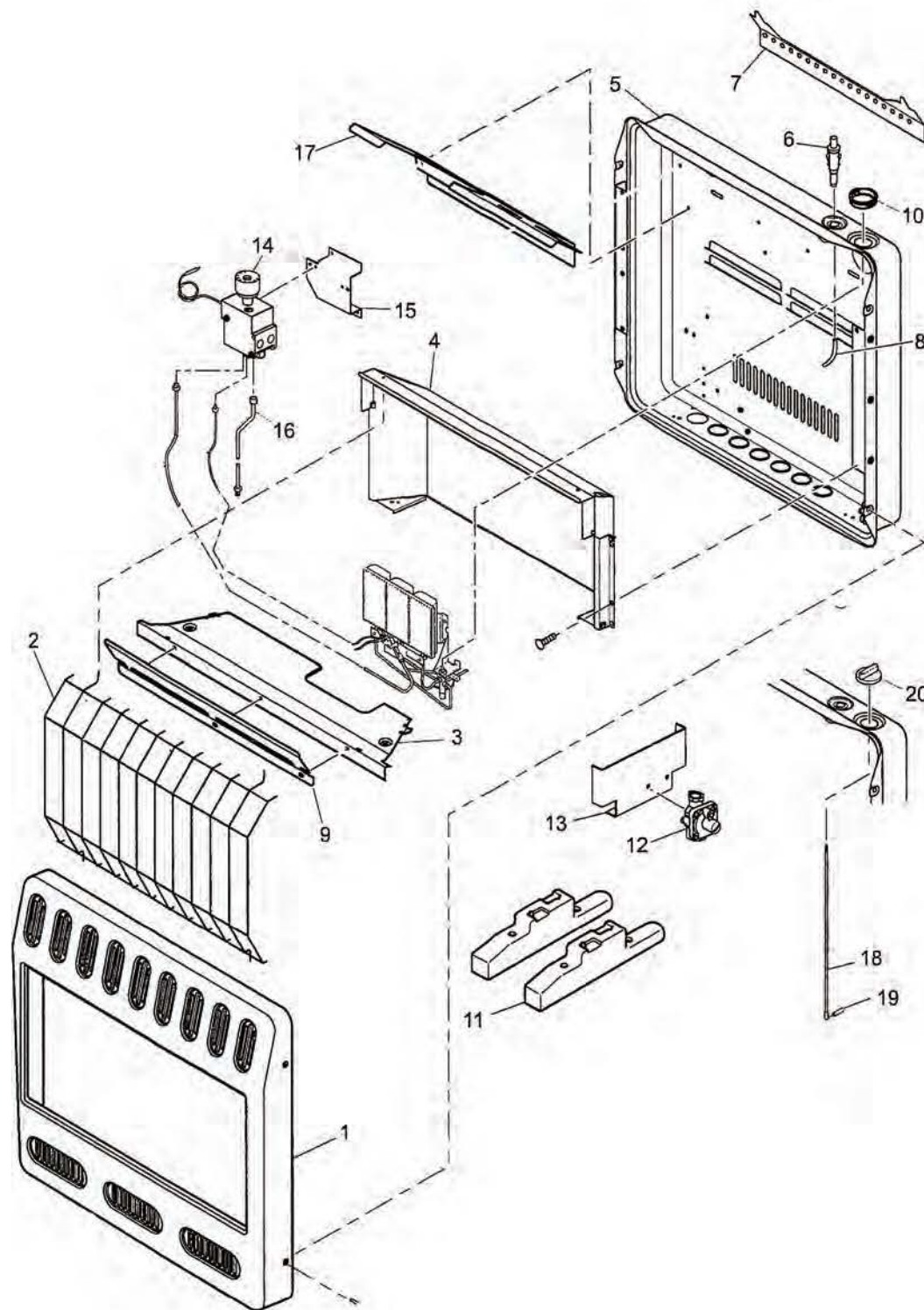
Model Numbers: 1286513, 1286543, 2086513, 3086513



CABINET PARTS				
Reference Number	Description	1286513	2086513	3086513
		1286543		
1	Front Panel	AQ000090	AQ000060	AQ000001
2	Burner Assembly	AQ000137	AQ000065	AQ000022
3	ODS Assembly (Complete)			
3-1	ODS - (LP) Propane Pilot	AQ000031	AQ000031	AQ000031
3-2	ODS - (NG) Natural Gas Pilot	AQ000028	AQ000028	AQ000028
4	ODS Connector Wire	AQ000110	AQ000052	AQ000052
5	Thermostatic Gas Valve	AQ000025	AQ000025	AQ000025
6	Manual Gas Valve	AQ000112	AQ000112	AQ000112
7	Overheat Limit Switch	AQ000042	AQ000042	AQ000042
8	Gas Selector Valve	AQ000136	AQ000072	AQ000023
9	Regulator Bracket	AQ000015	AQ000015	AQ000015
10-1	NG Reglator Assembly	AQ000073	AQ000073	AQ000073
10-2	LP Regulator Assembly	AQ000073A	AQ000073A	AQ000073A
11	Front Grille	AQ000099	AQ000063	AQ000023
12	Wall Mounting Bracket	AQ000108	AQ000006	AQ000006
13	Ignitor Module	AQ000045	AQ000045	AQ000045
14	Support Leg	AQ000038	AQ000038	AQ000038
15	Ignitor Bracket	AQ000019	AQ000019	AQ000019
16	Fan Assembly (Select Models)	AQ000232	AQ000232	AQ000232

Infrared Vent-Free Heater

Model Numbers: 1686511, 1686541, 1886512, 1886542, 2686511, 2686541, 3086512, 3086542



Infrared Vent-Free Heater

Model Numbers: 1686511, 1686541, 1886512, 1886542, 2686511, 2686541, 3086512, 3086542

CABINET PARTS

Reference Number	Description	Part Number	1686541	1886542	2686541	3086542	1686511	1886512	2686511	3086512
1	Front Panel	107673-01	X	X			X	X		
		107676-01			X	X			X	X
2	Grille Guard	103476-01	X	X			X	X		
		103476-02			X	X			X	X
3	Apron	***	X	X	X	X	X	X	X	X
4	Reflector	104103-07	X	X			X	X		
		104103-09			X	X			X	X
5	Cabinet Back Panel	***	X	X	X	X	X	X	X	X
6	Piezo Ignitor	097159-04	X	X	X	X	X	X	X	X
7	Mounting Bracket	099066-02	X	X	X	X	X	X	X	X
8	Ignitor Cable	098271-03	X	X	X	X	X	X	X	X
9	Heat Shield	107896-01	X		X		X		X	
		107896-02		X		X		X		X
10	Snap Bushing	111421-01	X	X	X	X	X	X	X	X
11	Base Feet	107889-01	X	X	X	X	X	X	X	X
12	Gas Regulator LP	099415-18	X		X		X		X	
	Gas Regulator NG	099415-19		X		X		X		X
13	Regulator Bracket	104819-02	X	X	X	X	X	X	X	X
14	Thermostat Gas Valve	098522-24					X	X	X	X
15	T-Stat Valve Mounting Bracket	102394-02					X	X	X	X
16	Inlet Tube	103256-02					X	X	X	X
17	Upper Baffle	118721-03	X	X						
		118721-04			X	X				
18	Control Rod Assembly	098462-01	X	X	X	X				
19	Roll Pin	098325-01	X	X	X	X				
20	Control Knob	098354-03	X	X	X	X				

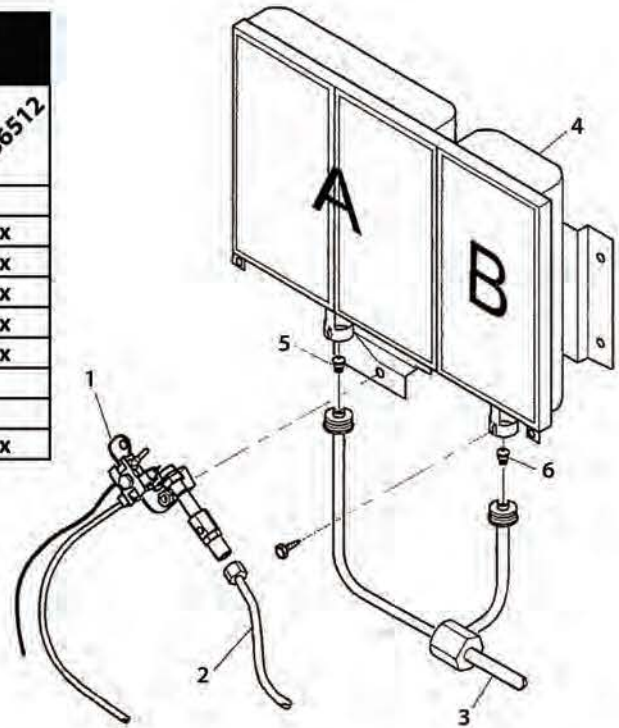
*** Not a field replaceable part

Infrared Vent-Free Heater

Model Numbers: 1686511, 1686541, 1886512, 1886542, 2686511, 2686541, 3086512, 3086542

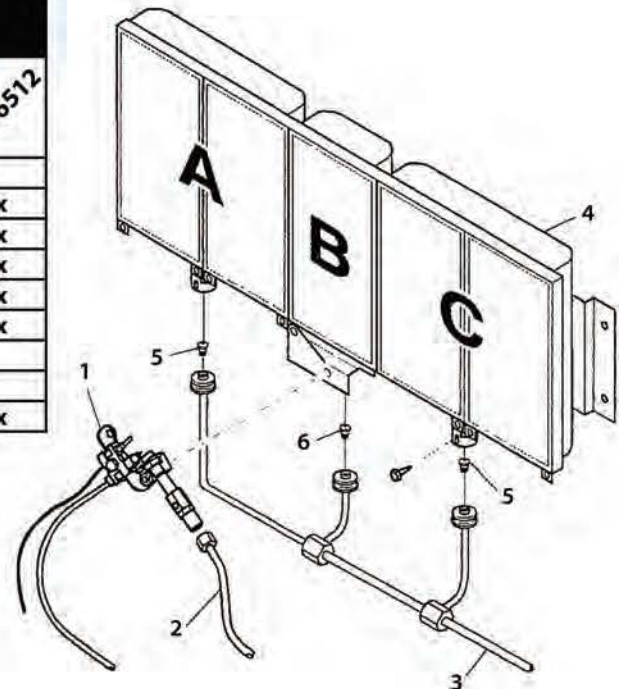
BURNER ASSEMBLY

Reference Number	Description	Part Number	1686511	1886512
1	ODS/Pilot LP	120630-02	x	
	ODS/Pilot NG	120630-03		x
2	Pilot Tubing	099387-11	x	x
3	Outlet Tubing - Valve to Burner	104818-03	x	x
4	Burner	099218-08	x	x
5	Orifice - Plaque A	099056-24		x
	Orifice - Plaque A	099056-25	x	
6	Orifice - Plaque B	099056-01	x	
	Orifice - Plaque B	099056-02		x



BURNER ASSEMBLY

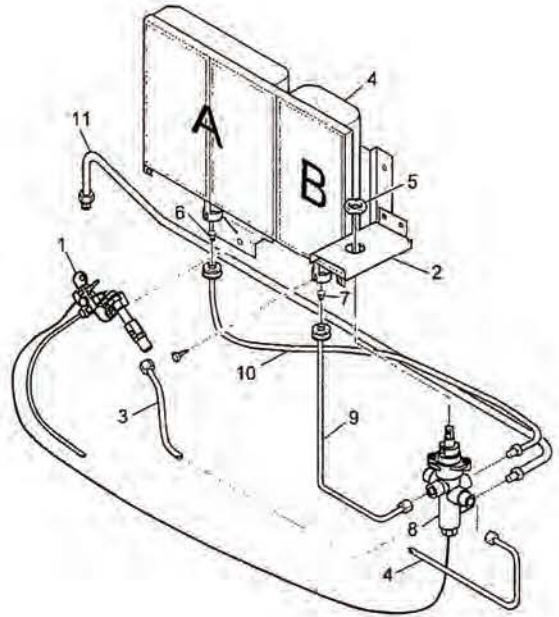
Reference Number	Description	Part Number	2686511	3086512
1	ODS/Pilot LP	120630-02	x	
	ODS/Pilot NG	120630-03		x
2	Pilot Tubing	099387-03	x	x
3	Outlet Tubing - Valve to Burner	104818-04	x	x
4	Burner	099218-08	x	x
5	Orifice - Plaque A or C	099056-24		x
	Orifice - Plaque A or C	099056-25	x	
6	Orifice - Plaque B	099056-01	x	
	Orifice - Plaque B	099056-02		x



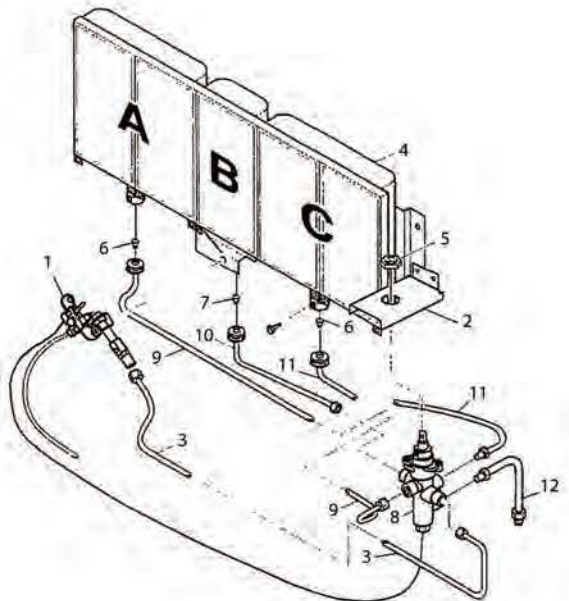
Infrared Vent-Free Heater

Model Numbers: 1686511, 1686541, 1886512, 1886542, 2686511, 2686541, 3086512, 3086542

BURNER ASSEMBLY				
Reference Number	Description	Part Number	1686541	1886542
1	ODS/Pilot LP	120630-02	x	
	ODS/Pilot NG	120630-03		x
2	Control Valve Bracket	098200-03	x	x
3	Pilot Tubing	105051-01	x	x
4	Burner	099218-08	x	x
5	Valve Retainer Nut	098508-01	x	x
6	Orifice - Plaque A	099056-24		x
	Orifice - Plaque A	099056-25	x	
7	Orifice - Plaque B	099056-01	x	
	Orifice - Plaque B	099056-02		x
8	Control Valve	103844-01	x	x
9	Tubing - Valve to Plaque	103352-03	x	x
10	Tubing - Valve to Plaque	103352-04	x	x
11	Inlet Tube	103352-04	x	x



BURNER ASSEMBLY				
Reference Number	Description	Part Number	2686541	3086542
1	ODS/Pilot LP	120630-02	x	
	ODS/Pilot NG	120630-03		x
2	Control Valve Bracket	098200-03	x	x
3	Pilot Tubing	105050-02	x	x
4	Burner	099218-09	x	x
5	Valve Retainer Nut	098508-01	x	x
6	Orifice - Plaque A or C	099056-24		x
	Orifice - Plaque A or C	099056-25	x	
7	Orifice - Plaque B	099056-01	x	
	Orifice - Plaque B	099056-02		x
8	Control Valve	100747-01	x	x
9	Inlet Tube	107660-3	x	x
10	Tubing - Valve to Plaque	103844-01	x	x
11	Tubing - Valve to Plaque	103352-05	x	x
12	Tubing - Valve to Plaque	103352-04	x	x



Burner Orifice Sizing Chart

NATURAL GAS							
Model Number	Elevation Sea Level to 2,000'	Model Number	Elevation 2,001 to 4,000'	Model Number	Elevation 4,001 to 6,000'	Model Number	Elevation 6,001 to 8,000'
DIRECT-VENT GRAVITY							
1403822	P090550	1413822	P090551	1433822	P090553	1453822	P090553
2203822	P090544	2213822	P090547	2233822	P090548	2253822	P090550
3003622	P090542	3003622	P090542	3033622	P090544	3053622	P090545
MONTEREY TOP-VENT - 9822 SERIES							
2509822	P332618	2519822	P090544	2539822	P090546	2559822	P090548
3509822	P332636	3519822	P090538	3539822	P090540	3559822	P090543
5009822	P332625	5019822	P090544	5039822	P090545	5059822	P090547
FORSAIRE TOP-VENT							
3508232	P090536	3518232	P090538	3538232	P090540	3558232	P332618
3508632	P090536	3518632	P090537	3538632	P090540	3558632	P090542
5008632*	P090542	5018632*	P090543	5038632*	P090544	5058632*	P090546
5508232*	P332622	5518232*	P322625	5538232*	P090544	5558232*	P090546
6008532A*	P332637	6018532A*	P090540	6038532A*	P090542	6058532A*	P090543
6508632*	P090536	6518632*	P090539	6538632*	P090541	6558632*	P332618
FORSAIRE DIRECT-VENT							
4007332	P090532	4017332	P090535	4037332	P090537	4057332	P090539
4007732	P090532	4017732	P090535	4037732	P090537	4057732	P090539
5507332*	P090541	5517332*	P090542	5537332*	P090543	5557332*	P090544
6007732*	P090538	6017732*	P090540	6037732*	P090542	6057732*	P090544
VENTED ROOM HEATERS							
2001622A	P501781	2011622A	P501771	2031622A	P501802	2051622A	P501782
3501522A	P500336	3511522A	P500338	3531522A	P500341	3551522A	P500342
3501922A	P500336	3511922A	P500338	3531922A	P500341	3551922A	P500342
3502522A	P500336	3512522A	P500338	3532522A	P500341	3552522A	P500342
3502922A	P500336	3512922A	P500338	3532922A	P500341	3552922A	P500342
5001522A	P500360	5011522A	P500331	5031522A	P500332	5051522A	P500334
5001922A	P500360	5011922A	P500331	5031922A	P500332	5051922A	P500334
5002522A	P500360	5012522A	P500331	5032522A	P500332	5052522A	P500334
5002922A	P500360	5012922A	P500331	5032922A	P500332	5052922A	P500334
6501522A	P500327	6511522A	P500328	6531522A	P500329	6551522A	P500360
6501922A	P500327	6511922A	P500328	6531922A	P500329	6551922A	P500360
6502522A	P500327	6512522A	P500328	6532522A	P500329	6552522A	P500360
6502922A	P500327	6512922A	P500328	6532922A	P500329	6552922A	P500360
FLOOR FURNACE							
4505622A	P500331	4515622A	P500332	4535622A	P500335	4555622A	P500336
6005622A	P500329	6015622A	P500362	6035622A	P500364	6055622A	P500365

* Two (2) Orifices Required

Burner Orifice Sizing Chart

PROPANE GAS

Model Number	Elevation Sea Level to 2,000'	Model Number	Elevation 2,001 to 4,000'	Model Number	Elevation 4,001 to 6,000'	Model Number	Elevation 6,001 to 8,000'
DIRECT-VENT GRAVITY							
1403821	P090556	1413821	P090557	1433821	P090560	1453821	P090561
2203821	P090554	2213821	P090555	2233821	P090556	2253821	P090556
3003621	P090553	3003621	P090553	3033621	P090554	3053621	P090555
MONTEREY TOP-VENT - 9821 SERIES							
2509821	P332624	2519821	P090554	2539821	P090554	2559821	P090556
3509821	P332635	3519821	P090552	3539821	P090553	3559821	P090553
5009821	P332623	5019821	P090554	5039821	P090555	5059821	P090556
FORSAIRE TOP-VENT							
3508231	P090550	3518231	P332617	3538231	P090552	3558231	P090553
3508631	P090550	3518631	P090551	3538631	P332619	3558631	P332623
5008631*	P332619	5018631*	P332624	5038631*	P090554	5058631*	P090555
5508231*	P332620	5518231*	P090553	5538231*	P332626	5558231*	P090555
6008531A*	P332617	6018531A*	P332620	6038531A*	P332627	6058531A*	P332623
6508631*	P090551	6518631*	P332621	6538631*	P332627	6558631*	P332624
FORSAIRE DIRECT-VENT							
4007331	P090548	4017331	P090549	4037331	P090550	4057331	P090551
4007731	P090548	4017731	P090549	4037731	P090550	4057731	P090551
5507331*	P090552	5517331*	P090553	5537332*	P332624	5557331*	P090554
6007731*	P332621	6017731*	P332627	6037732*	P332623	6057731*	P332628
VENTED ROOM HEATERS							
2001621A	P501800	2011621A	P501801	2031621A	P501803	2051621A	P322915
3501521A	P500351	3511521A	P500430	3531521A	P500352	3551521A	P500431
3501921A	P500351	3511921A	P500430	3531921A	P500352	3551921A	P500431
3502521A	P500351	3512521A	P500430	3532521A	P500352	3552521A	P500431
3502921A	P500351	3512921A	P500430	3532921A	P500352	3552921A	P500431
5001521A	P500345	5011521A	P500436	5031521A	P500348	5051521A	P500350
5001921A	P500345	5011921A	P500436	5031921A	P500348	5051921A	P500350
5002521A	P500345	5012521A	P500436	5032521A	P500348	5052521A	P500350
5002921A	P500345	5012921A	P500436	5032921A	P500348	5052921A0	P500350
6501521A	P500432	6511521A	P500343	6531521A	P500344	6551521A	P500345
6501921A	P500432	6511921A	P500343	6531921A	P500344	6551921A	P500345
6502521A	P500432	6512521A	P500343	6532521A	P500344	6552521A	P500345
6502921A	P500432	6512921A	P500343	6532921A	P500344	6552921A	P500345
FLOOR FURNACE							
4505621A	P500361	4515621A	P500348	4535621A	P500350	4555621A	P500351
6005621A	P500343	6015621A	P500344	6035621A	P500345	6055621A	P500347

* Two (2) Orifices Required

Obsolete Furnace Models Replacement Models

Model Number	Replacement Model	
	Natural Gas	Propane LPG
1403611		1403821
1403612	1403822	
2001611		2001621
2001612	2001622	
2001612.3	2001622	
2203611		2203821
2203612	2203822	
2506912	2509822	
2509611		2509821
3003611		3003621
3003612	3003622	
3501511		3501521A
3501512	3501522A	
3501512.3	3501522A	
3501911		3501921A
3501912	3501922A	
3502511.4		3502521A
3502512.4	3502522A	
3502911.4		3502921A
3502912.4	3502922A	
3509611		3509821
3509612	3509822	
5001511		5001521A
5001512	5001522A	
5001911		5001921A
5001912	5001922A	
5002511.4		5002521A
5002512.3	5002522A	
5002512.4	5002522A	
5002911.4		5002921A
5002911.4		5002921A
5002912.4	5002922A	
5009611		5009821
5009612	5009822	
6502511.4		6502521A
6502512.3	6502522A	
6502512.4	6502522A	
6502911.4		6502921A
6502912.3	6502922A	
6502912.4	6502922A	
100 DEBONAIR	1403822	1403821
10,000 BTU is no longer available. 14,000 BTU is closest size available		
100C-1 DEBONAIR	1403822	1403821
10,000 BTU is no longer available. 14,000 BTU is closest size available		
140C DEBONAIR	1403822	1403821
140C-3 DEBONAIR	1403822	1403821
140C-5 DEBONAIR	1403822	1403821
140D	1403822	1403821
14DV	1403822	1403821
14DV-3	1403822	1403821
14DV-3 B	1403822	1403821
14DV-5	1403822	1403821

Model Number	Replacement Model	
	Natural Gas	Propane LPG
14DV-5 B	1403822	1403821
200C DEBONAIR	2203822	2203821
220B DEBONAIR	2203822	2203821
220C-3 DEBONAIR	2203822	2203821
220C-5 DEBONAIR	2203822	2203821
220D	2203822	2203821
220D DEBONAIR	2203822	2203821
22DV	2203822	2203821
22DV-3	2203822	2203821
22DV-3 B	2203822	2203821
22DV-5	2203822	2203821
22DV-5 B	2203822	2203821
25GV	2509822	2509821
25GV-3	2509822	2509821
25GV-5	2509822	2509821
300B DEBONAIR	3003622	3003621
300C DEBONAIR	3003622	3003621
300C-3 DEBONAIR	3003622	3003621
300C-5 DEBONAIR	3003622	3003621
300D	3003622	3003621
300D DEBONAIR	3003622	3003621
30DV	3003622	3003621
30DV-3	3003622	3003621
30DV-3 B	3003622	3003621
30DV-5	3003622	3003621
30DV-5 B	3003622	3003621
350SCF	3508632	3508631
35ECH	3501522A	3501521A
35ECHA	3501922A	3501921A
35EH	3501522A	3501521A
35EHB	3501922A	3501921A
35GV	3509822	3509821
35GV-5	3509822	3509821
35GV-HA	3509822	3509821
35RCH	3502522A	3502521A
35RCHB	3502922A	3502921A
35RH	3502522A	3502521A
35RHB	3502922A	3502921A
35V-3	3509822	3509821
400DVF	4007732	40007731
400DVI	4007332	4007331
400DVX	4007732	40007731
435F	3508632	3508631
435FA	3508632	3508631
435FEI	3508232	3508231
435FX	3508632	3508631
450FX	5008632	5008631
450SFA	5008632	5008631
455FEI	5508232	5508231
465FA	6508632	6508631
465FX	6508632	6508631
500SCF	5008632	5008631
50ECH	5001522A	5001521A
50ECHA	5001922A	5001921A

Obsolete Furnace Models Replacement Models

Model Number	Replacement Model	
	Natural Gas	Propane LPG
50EH	5001522A	5001521A
50EHB	5001922A	5001921A
50GV	5009822	5009821
50GV-3	5009822	5009821
50GV-5	5009822	5009821
50GV-HA	5009822	5009821
50RCH	5002522A	5002521A
50RCHB	5002922A	5002921A
50RH	5002522A	5002521A
50RHB	5002922A	5002921A
550DVI	5507332	5507331
550DVX	6007732	6007731
55,000 BTU is no longer available. 60,000 BTU is closest size available		
650DVF	6007732	6007731
Largest size is 60,000 BTU, 65,000 is no longer available		
650DVX	6007732	6007731
Largest size is 60,000 BTU, 65,000 is no longer available		
650SCF	6007732	6007731
Largest size is 60,000 BTU, 65,000 is no longer available		
65ECH	6501522A	6501521A
65ECHA	6501922A	6501921A
65EH	6501522A	6501521A
65EHB	6501922A	6501921A
65RCH	6502522A	6502521A
65RCHB	6502922A	6502921A
65RH	6502522A	6502521A
65RHB	6502922A	6502921A
B28SD	2509822	2509821
B35SD	3509822	3509821
B50D	5009822	5009821
B60D	5009822	5009821
C28SD	2509822	2509821
C35SD	3509822	3509821
C50D	5009822	5009821
C60D	5009822	5009821
Largest size is 50,000 BTU, 60,000 is no longer available		

Model Number	Replacement Model	
	Natural Gas	Propane LPG
D114-ST	1403822	1403821
D122-ST	2203822	2203821
D130-ST	3003622	3003621
DAYTON MODELS	There is a Williams model available. Go to www.wfc-fc.com and review specifications.	
DEARBORN MODELS	http://williamscomfortprod.com/product-category/heating-solutions/	
DSC14B	1403822	1403821
DSC22B	2203822	2203821
DSC30B	3003622	3003621
EVAPORATIVE COOLERS	Call Phoenix Manufacturing at (602) 437-1034	
EVH ROOM HEATERS	Review the Room Heater Specifications http://williamscomfortprod.com/wp-content/uploads/2014/10/L-1013-HEARTH-HEATERS-r-PRODUCT-SHEET-10-2014.pdf	
GRAINGER MODELS	There is a Williams model available. Go to www.wfc-fc.com and review specifications. http://williamscomfortprod.com/product-category/heating-solutions/	
HA35	3509822	3509821
HA50	5009822	5009821
HA60	5009822	5009821
Largest size is 50,000 BTU, 60,000 is no longer available		
KENMORE	There is a Williams match-up. Go to www.wfc-fc.com and review specifications.	
MONTGOMERY WARDS	http://williamscomfortprod.com/product-category/heating-solutions/	
NDV-14	1403822	1403821
NDV-22	2203822	2203821
NDV-30	3003622	3003621
RVH ROOM HEATERS	There is a Williams match-up. Go to www.wfc-fc.com and review specifications.	
SAHARA MODELS		
SEARS		
SURBURBAN MODELS		
SVH ROOM HEATERS		
WESTWOOD MODELS		

Williams Comfort Products has manufactured furnaces under the following names and brands:

- Dayton (Grainger)
- Debonair
- Dearborn
- Grainger (Dayton)
- Kenmore (Sears)
- Sahara
- Sears (Kenmore)
- Suburban
- Westwood

