

ACCUTRAK™ ROTARY POSITION MONITORS MODELS 2007/9479/360/366

EXPLOSIONPROOF/FLAMEPROOF

Fully integrated and encapsulated rotary valve position monitors that are certified for use in explosive atmospheres.



FEATURES

- Touch set cams are hand adjustable, spring loaded and self-locking providing quick calibration of position switches and sensors.
- Terminal strips are pre-wired and numbered with generous working space for ease of use.
- Strong durable Beacon™ offers 360° visual indication in a choice of styles and colors.
- Additional conduit for easy field wiring and mounting accessories as standard.
- Standardized mounting pattern for easy adaptation to common bracketry.
- NAMUR shaft output compliant to VDI/VDE 3845 available..
- Eliminator option for easy integration of external solenoid valve.
- Aluminum enclosures with ultra-low copper content (0.2% maximum) ensure robust performance in corrosive environments.
- Rugged stainless steel enclosures.

TECHNICAL DATA

Agency approvals

Explosionproof/flameproof
Models 2007/9479

Cl. I, Div. 1, Groups C & D; T*
Cl. II, Div. 1, Groups E, F & G; T*
Cl. I, Zone 1 Aex db / Ex db IIB+H2 T*
Zone 21, Aex tb / Ex tb IIIC T* Db IP6X
II 2 G Ex db IIB+H2 T* Gb Ta= -*°C to +*°C
II 2 D Ex td IIIC T* Db Ta= -*°C to +*°C, IP6X
Ex db IIC T* Gb Ta= -*°C to +*°C (INMETRO Approval Only)

Non-Incendive
Model 9479 Only

Cl. I, Div. 2, Groups A, B, C & D; T*, T2C
(Heater Option Only) Tamb: -*°C to +*°C¹
IP66/67

Explosionproof/flameproof
Model 360/366

Cl. I, Div. 1, Groups A², B, C & D; T*
Cl. II/III, Div. 1, Groups E, F & G; T*
II 2 G Ex db IIC T* Gb Ta= -60°C to +*°C
II 2 D Ex td IIC T* Db Ta= -60°C to +*°C, IP6X

Non-Incendive
Model 360/366

NI, Cl. I, Div. 2, Groups A, B, C, D; T*
(w/ sensors xM06, xM12, xM17, xM18 Only)
6P

Enclosure standards
All enclosures

Type 4, 4X

Switches**

Magnum/MagPAC
V3 (SPDT) & DPDT mechanical
Pepperl + Fuchs model NJ2-V3-N

Enclosures

Aluminum
Stainless steel

GENERAL APPLICATION

AccuTrak position monitors are ideal for manual and automated rotary valves. They provide consistent and accurate valve monitoring in a compact unit which can be mounted directly or via a valve actuator.

NOTES

¹ This information can change depending on the construction, refer to the certification.

² Solenoid option not available

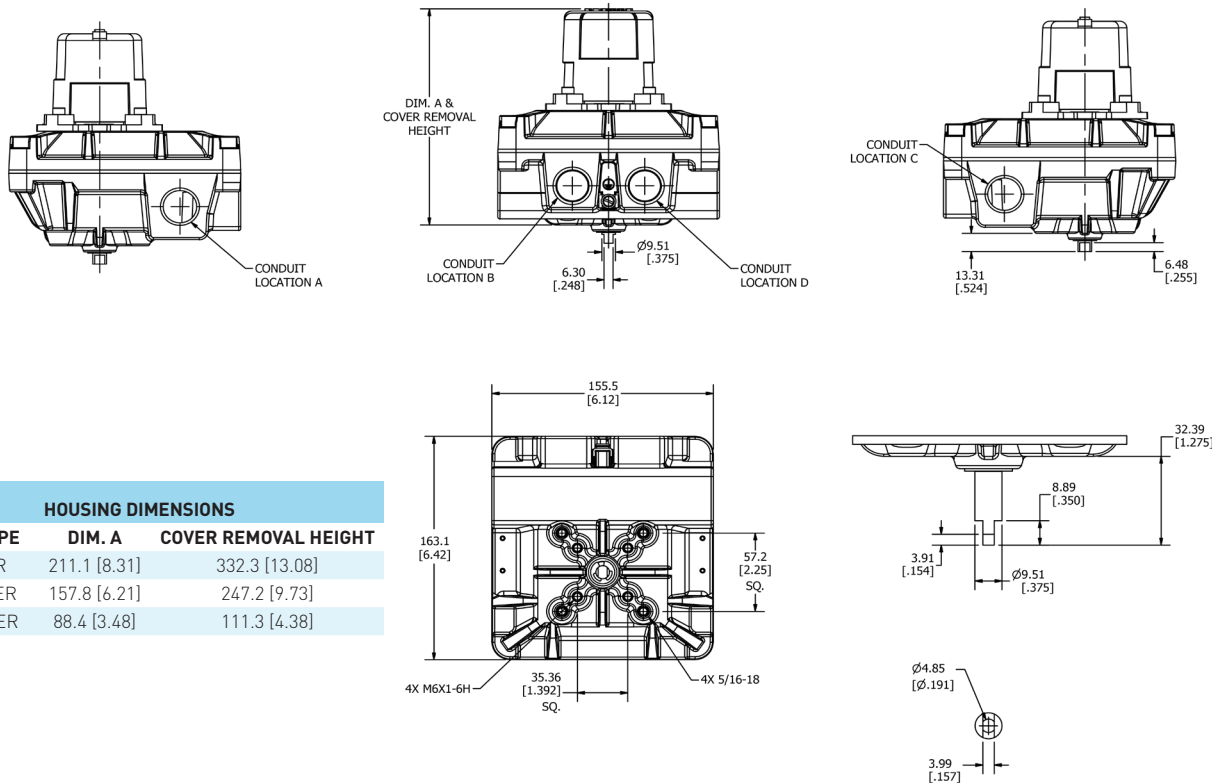
*Ambient temperature depend on configuration, see product certificate for details

**Refer to ordering guides for switch options

ACCUTRAK™ ROTARY POSITION MONITORS

EXPLOSIONPROOF

MODELS 2007/9479 DIMENSIONS



HOUSING DIMENSIONS

| COVER TYPE | DIM. A | COVER REMOVAL HEIGHT |
|------------|--------------|----------------------|
| HI COVER | 211.1 [8.31] | 332.3 [13.08] |
| STD. COVER | 157.8 [6.21] | 247.2 [9.73] |
| FLAT COVER | 88.4 [3.48] | 111.3 [4.38] |

Dimensions in inches, where available metric dimension (mm) in parentheses

TECHNICAL SPECIFICATIONS

Materials of construction

| | |
|-------------------------|----------------------------------|
| Enclosure | Aluminum with powder coat finish |
| Shaft and hardware | Stainless steel |
| Bushing | Oil impregnated bronze |
| Beacon visual indicator | Co-polyester |

Drive shaft

| | |
|-------------------|-----------------------------|
| Westlock standard | Double-D with 1/4" A/F |
| NAMUR standard | NAMUR standard VDI/VDE 3845 |

Available switches

| | |
|--|---|
| | V3 mechanical switches, SPDT |
| | DPDT (Form CC) mechanical switches |
| | Pepperl + Fuchs model NJ2-V3-N |
| | Magnum (hermetically sealed proximity type) |
| | MagPAC bifurcated switch pack (9479 ONLY) |

Options

| | |
|--|---------------------------|
| | Stainless steel enclosure |
|--|---------------------------|

NOTES

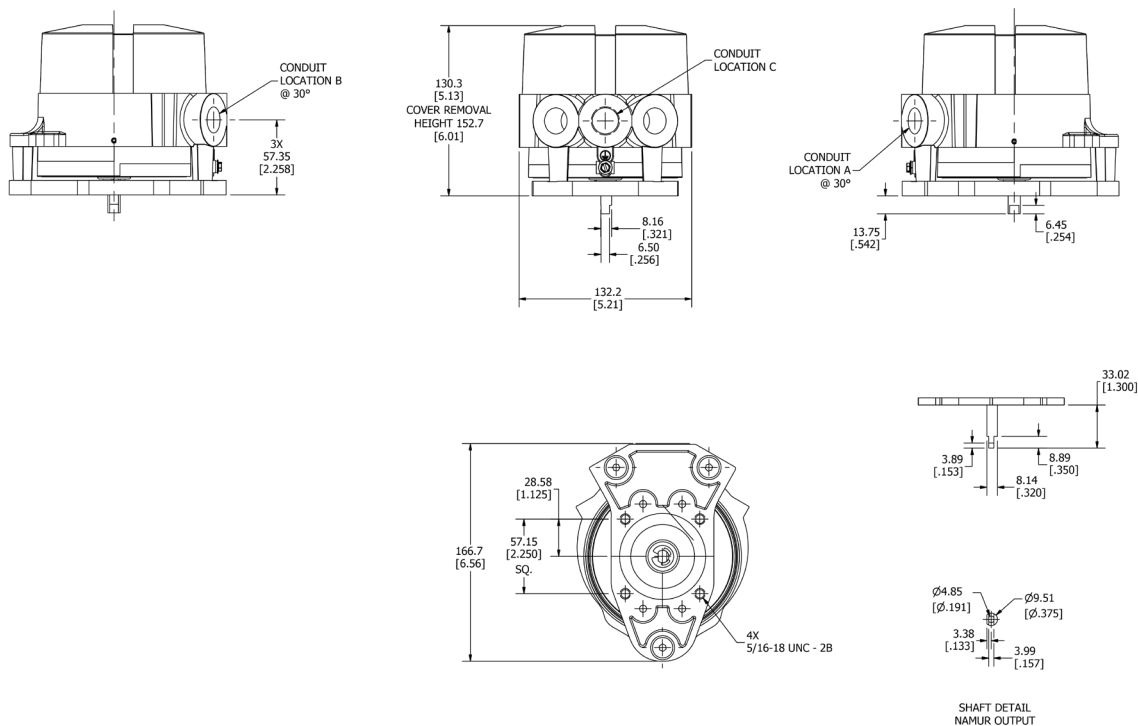
1. See selection guide for standard conduit entries
2. See switches & sensors data sheet for further information
3. A specialist eliminator fitting is available for the mounting of an aftermarket solenoid valve
4. Please consult your sales office for any other requirements



ACCUTRAK™ ROTARY POSITION MONITORS

EXPLOSIONPROOF

MODELS 360/366 DIMENSIONS



Dimensions in inches, where available metric dimension (mm) in parentheses

TECHNICAL SPECIFICATIONS

Materials of construction

| | |
|-------------------------|---|
| Enclosure | |
| Model 360 | Aluminum with powder coat finish |
| Model 366 | Stainless steel with electropolished finish |
| Shaft and hardware | Stainless steel |
| Bushing | Oil impregnated bronze |
| Beacon visual indicator | Co-polyester |

Drive shaft

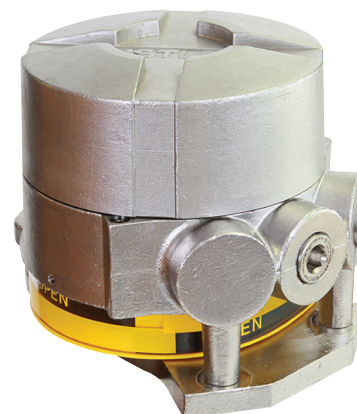
| | |
|-------------------|-----------------------------|
| Westlock standard | Double-D with 1/4" A/F |
| NAMUR standard | NAMUR standard VDI/VDE 3845 |

Available switches

| | |
|--|---|
| | V3 mechanical switches, SPDT |
| | DPDT (Form CC) mechanical switches |
| | Magnum, SPDT hermetically sealed switches, with tungsten contacts |
| | Magnum, SPDT hermetically sealed switches, with rhodium contacts |

Notes

1. See selection guide for standard conduit entries
2. See switches & sensors data sheet for further information
3. A specialist eliminator fitting is available for the mounting of an aftermarket solenoid valve
4. Please consult your sales office for any other requirements



ACCUTRAK™ EXPLOSIONPROOF ROTARY POSITION MONITORS

MODEL 2007 SELECTION GUIDE

| | | | | | | |
|-------------------|---|--|----|------|----|---|
| Base model | | | | | | |
| 2007 | Aluminum enclosure | | | | | |
| | Shaft output | | | | | |
| | S | Standard (Double-D with 1/4" Flats) | | | | |
| | D | Direct mont to Keystone F89 actuators | | | | |
| | N | NAMUR | | | | |
| | Beacon | | | | | |
| | BY | BM2-Y (Standard) | | | | |
| | RG | BM2-RG (Red Closed/Green Open) | | | | |
| | FE | BM2-Y-FE (French/English) | | | | |
| | LP | BM2-Y-LP (Low Profile Standard) | | | | |
| | B1 | BM3-1 (3-way B1 Flowpath) | | | | |
| | B3 | BM3-3 (3-way B3 Flowpath) | | | | |
| | B5 | BM3-5 (3-way B5 Flowpath) | | | | |
| | B7 | BM3-7 (3-way B7 Flowpath) | | | | |
| | B9 | BM3-9 (3-way B9 Flowpath) | | | | |
| | FC | Flat cover - not available with switch options requiring high cover | | | | |
| | Conduit | | | | | |
| | 2B | Two 3/4"NPT (F) - not permitted with switch options 6M02 or 4M04 | | | | |
| | 4B | Four 3/4" NPT (F) | | | | |
| | 4E | Two 3/4" NPT (F), One 1/2" NPT (F) & One 1/2" NPT (M) Global Eliminator Fitting* | | | | |
| | 4F | Two 3/4" NPT (F) & Two 1/2" NPT (M) Global Eliminator Fittings* | | | | |
| | EA | Two 3/4" NPT (F) & Two 1/2" NPT (F) | | | | |
| | 2M | Two M20 (F) - not permitted with switch options 6M02 or 4M04 | | | | |
| | 4M | Four M20 (F) | | | | |
| | Position switches | | | | | |
| | 2M02 | Two SPDT Mechanical Switches - 8 pt. Terminal Strip | | | | |
| | 4M02 | Four SPDT Mechanical Switches - 16 pt. Terminal Strip | | | | |
| | 6M02 | Six SPDT Mechanical Switches - 24 pt. Terminal Strip, High Cover, 4 Conduits | | | | |
| | 2M04 | Two DPDT Mechanical Switches - 16 pt. Terminal Strip | | | | |
| | 4M04 | Four DPDT Mechanical Switches - 24 pt. Terminal Strip, High Cover, 4 Conduits | | | | |
| | Position Transmitter | | | | | |
| | 00 | None | | | | |
| | Unit Specialty Codes (leave blank for standard builds) | | | | | |
| | M0000 | INMETRO Certification | | | | |
| | 00124 | 316 Stainless Steel Enclosures | | | | |
| | 00692 | **120 VAC Heater Resistor | | | | |
| | 00710 | 12 pt. Terminal Strip | | | | |
| | 00816 | **24 VDC Heater Resistor | | | | |
| 2007 | N | BY | 2B | 2M02 | 00 | = Model number 2007NBY2B2M020000 |

ORDERING NOTES

*Eliminator Fitting is 1/2" NPT (M) for the purpose of mounting an after market solenoid valve.

For INMETRO replace first digit of the specialty code with M; For e.g. 2007NBY2B2M0200M**0124

***T Ratings for optional heater resistors changes to T2C.

ACCUTRAK™ EXPLOSIONPROOF ROTARY POSITION MONITORS

MODEL 9479 SELECTION GUIDE

Base model

9479 Aluminum enclosure

Shaft output

- S Standard (Double-D with 1/4" Flats)
- D Direct mount to Keystone F89 actuators
- N NAMUR VDI/VDE 3845

Beacon

- BY BM2-Y (Standard)
- RG BM2-RG (Red Closed/Green Open)
- FE BM2-Y-FE (French/English)
- LP BM2-Y-LP (Low Profile Standard)
- B1 BM3-1 (3-Way B1 Flowpath)
- B3 BM3-3 (3-Way B3 Flowpath)
- B5 BM3-5 (3-Way B5 Flowpath)
- B7 BM3-7 (3-Way B7 Flowpath)
- B9 BM3-9 (3-Way B9 Flowpath)
- FC Flat cover - **not available with switch options requiring high cover**

Conduit

- 2B Two 3/4"NPT (F) - **not permitted with 6 SPDT or 4 DPDT switch options**
- 4B Four 3/4" NPT (F)
- 4E Two 3/4" NPT (F), One 1/2" NPT (F) & One 1/2" NPT (M) Global Eliminator Fitting*
- 4F Two 3/4" NPT (F) & Two 1/2" NPT (M) Global Eliminator Fittings*
- EA Two 3/4" NPT (F) and Two 1/2" NPT (F)
- 2M Two M20 (F) - **not permitted with 6 SPDT or 4 DPDT switch options**
- 4M Four M20 (F)

Position Switches (see ordering notes)

- 2M06 Two SPDT Magnum Switches - 8 pt. Terminal Strip
- 2M08 Two P+F NJ2-V3-N NAMUR Inductive Proximity Sensors - 8 pt. Terminal Strip
- 2M12 Two SPDT Magnum Switches, Rhodium Contacts - 8 pt. Terminal Strip
- 2M13 MagPAC Module (Two SPST Bifurcated Reeds), Diagnostic LEDs - 12 pt. Terminal Strip
- 4M06 Four SPDT Magnum Switches - 16 pt. Terminal Strip
- 4M08 Four P+F NJ2-V3-N NAMUR Inductive Proximity Sensors - 16 pt. Terminal Strip
- 4M12 Four SPDT Magnum Switches, Rhodium Contacts - 16 pt. Terminal Strip
- 6M06 Six SPDT Magnum Switches - 24 pt. Terminal Strip, High Cover, 4 Conduits
- 6M08 Six P+F NJ2-V3-N NAMUR Inductive Proximity Sensors - 16 pt. Terminal Strip, High Cover
- 6M12 Six SPDT Magnum Switches, Rhodium Contacts - 24 pt. Terminal Strip, High Cover, 4 Conduits

Position Transmitter

00 None

Unit Specialty Codes (leave blank for standard builds)

- M0000 INMETRO Certification
- 00124 316 Stainless Steel Enclosure
- 00692 **120 VAC Heater Resistor
- 00710 12 pt. Terminal Strip
- 00816 **24 VDC Heater Resistor

9479

N

BY

2B

2M12

00

= Model number **9479NBY2B2M1200**

ORDERING NOTES

*Eliminator Fitting is 1/2" NPT (M) for the purpose of mounting an after market solenoid valve.

**For INMETRO replace first digit of the specialty code with M; For e.g. 9479NBY2B2M1200M0124

***T Ratings for optional heater resistors changes to T2C.

POSITION SWITCH APPLICATION NOTES

For 120 VAC service, M13 (MagPAC) is recommended.

For 24 VDC service below 1 watt, M12 (Rhodium Magnum Switches) or M13 (MagPAC) is recommended.

For 24 VDC service above 1 watt, M06 (Tungsten Magnum Switches) or M13 (MagPAC) is recommended.

ACCUTRAK™ EXPLOSIONPROOF ROTARY POSITION MONITORS

MODEL 360/366 SELECTION GUIDE

| Base Model | | | | | | | |
|---|---|-----------|-----------|-------------|-----------|--------------|---|
| 360 | Aluminum enclosure | | | | | | |
| 366 | Stainless steel enclosure | | | | | | |
| Shaft Output | | | | | | | |
| S | Standard (double-D with 1/4" Flats) | | | | | | |
| N | NAMUR | | | | | | |
| Beacon | | | | | | | |
| BY | Black/Open - Yellow/Closed (Standard) | | | | | | |
| RG | Red/Closed - Green/Open | | | | | | |
| Conduit | | | | | | | |
| 2B | Two 3/4"NPT (F) | | | | | | |
| 3B | Three 3/4" NPT (F) | | | | | | |
| 2E | One 3/4" NPT (F) & One 1/2" NPT (M) Eliminator Fitting** | | | | | | |
| 3E | Two 3/4" NPT (F) & One 1/2" NPT (M) Eliminator Fitting** | | | | | | |
| Position Switches | | | | | | | |
| 2M02 | Two SPDT Mechanical Switches - 10 pt. Terminal Strip | | | | | | |
| 2M04 | Two DPDT Mechanical Switches - 14 pt. Terminal Strip | | | | | | |
| 2M06 | Two SPDT Magnum Switches - 10 pt. Terminal Strip | | | | | | |
| 2M12 | Two SPDT Magnum Switches with Rhodium Contacts - 10 pt. Terminal Strip | | | | | | |
| 2M17 | Two DPDT Magnum Cobra - 14 pt. Terminal Strip | | | | | | |
| 2M18 | Two DPDT Magnum Cobra, Rhodium Contacts 14 pt. Terminal Strip | | | | | | |
| 4M02 | Four SPDT Mechanical Switches - 14 pt. Terminal Strip | | | | | | |
| 4M06 | Four SPDT Magnum Switches - 14 pt. Terminal Strip | | | | | | |
| 4M12 | Four SPDT Magnum Switches with Rhodium Contacts - 14 pt. Terminal Strip | | | | | | |
| Position Transmitter | | | | | | | |
| 00 | None | | | | | | |
| Unit Specialty Code (leave blank for standard builds) | | | | | | | |
| M0000 | INMETRO Certification (Ex db IIC T* Gb / Ex db IIC T* Db)*** | | | | | | |
| 360- | N | BY | 2B | 2M12 | 00 | M0000 | = Model Number 360-NBY2B2M120000 |

ORDERING NOTES

**Eliminator Fitting is 1/2 NPT (M) for the purpose of mounting an after market solenoid valve.

***For INMETRO, replace first digit of the speciality code with M; For e.g. 360-NBY2B2M1200**M**1351

POSITION SWITCH APPLICATION NOTE:

For 120 VAC service, M13 (MagPAC) is recommended

For 24 VDC service below 1 watt, M12 (Rhodium Magnum Switches) or M13 (MagPAC) is recommended

For 24 VDC service above 1 watt, M06 (Tungsten Magnum Switches) or M13 (MagPAC) is recommended

Translations

Where translated the copy is taken from the original English document TD10022-EN as checked by the relevant notified certification body and therefore the original English document will prevail. No rights or liability can be derived from any translation.

Crane Co., and its subsidiaries cannot accept responsibility for possible errors in catalogues, brochures, other printed materials, and website information. Crane Co. reserves the right to alter its products without notice, including products already on order provided that such alterations can be made without changes being necessary in specifications already agreed. All trademarks in this material are the property of Crane Co. or its subsidiaries. The Crane and Crane brands logotype (WESTLOCK CONTROLS®) are registered trademarks of Crane Co. All rights reserved.



WESTLOCK CONTROLS

Head Office
280 N. Midland Avenue, Ste. 258
Saddle Brook, NJ 07663
United States

USA
+1 201 794 7650

EUROPE
+44 (0)1892 516277

ASIA
+65 6266 4535