



428 Jones Boulevard Phone: (610)495-5131
 Limerick Airport Business Center Fax: (610)495-5134
 Pottstown, PA 19464 www.watsonmcdaniel.com

SERIES WVBSS

VACUUM BREAKER

INSTALLATION INSTRUCTIONS

INSTRUCTION PART NO. 2224500

REVISION 1

TYPICAL APPLICATIONS

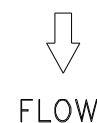
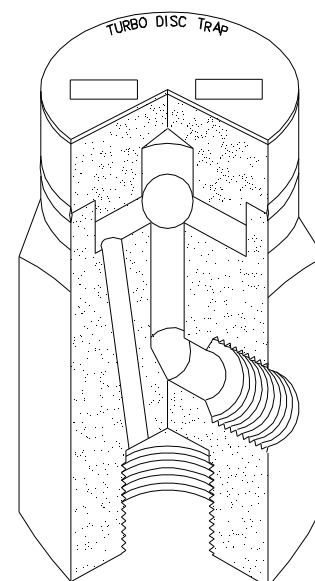
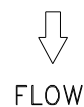
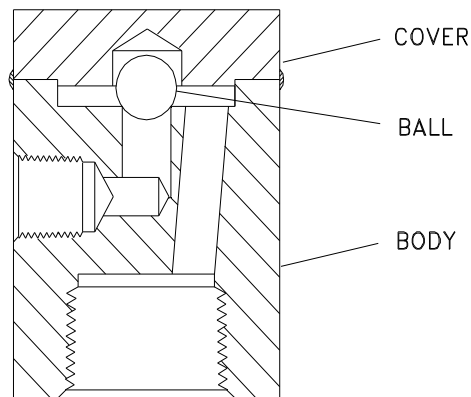
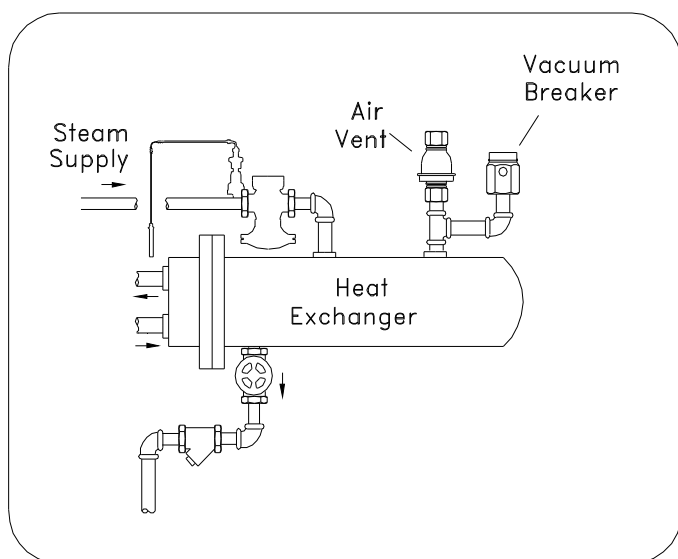
Designed to admit air to condensing vapor (steam) or liquid systems where vacuum formation may inhibit system drainage or operation. Used on steam inlet to air coils, heat exchangers, spare systems, jacketed kettles, boiler feed water tanks, chilled water lines and liquid process lines, all of which must be relieved to allow proper system operation.

INSTALLATION

Always install in a vertical position with cap at top. Generally the device should be mounted at the highest point in the system. Large coils or equipment may require more than one vacuum breaker.

MAINTENANCE

The vacuum breaker is non-repairable.



MAX. OPERATING CONDITIONS

PMO 300 PSIG

TMO 752°F

PMA 300 PSIG up to 752°F

TMA 752°F @ 300 PSIG

Each Watson McDaniel Company Product is warranted against defects in material and workmanship for one year from date of shipment. This warranty extends to the first retail purchaser only. All defective material must be returned to the person from whom you purchased the Product, transportation prepaid, free of any liens or encumbrances, and if found to be defective will be repaired free of charge or replaced, at the warrantor's or seller's option. If the material is replaced, any replacement will be invoiced in the usual manner and after inspection of alleged defective material an adjustment will be made for depreciation caused by purchaser's use. In no event will Watson McDaniel Company be liable to do more than refund the original contract price. Incidental and consequential damages are excluded, whether under this warranty or otherwise. All implied warranties, including warranties of merchantability and fitness for a particular purpose, are disclaimed and excluded.