

# UT450

# Universal Style Quick-Change Trap Module

**Thermostatic Steam Trap Module** (mounts to UC450 Universal Connectors)

Model	<b>UT450</b>
Connections	<b>Fits UC450 Series Universal Connectors</b>
Body Material	<b>Stainless Steel</b>
PMO Max. Operating Pressure	<b>450 PSIG</b>
TMO Max. Operating Temperature	<b>Saturated Steam Temp.</b>
PMA Max. Allowable Pressure	<b>720 PSIG @ 100°F</b>
TMA Max. Allowable Temperature	<b>800°F @ 400 PSIG</b>

Steam trap modules can be used with other manufacturers' Universal Connectors.



**UT450**  
Thermostatic  
Steam Trap  
Module

## Typical Applications

**DRIP, TRACER, PROCESS:** The **UT450** Thermostatic Steam Trap Module can be used anywhere conventional thermostatic steam traps are used. Used for drip, tracing and light process applications. Trap module mounts to any 2-bolt Quick-Change Universal Connector.

## How It Works

The UC450 universal connector is permanently installed into the pipeline where the steam trap would normally be placed. The trap module is fastened to the universal connector with two bolts. When a new trap module is needed, it can be easily removed and replaced with a standard open-end or socket wrench without disturbing the existing piping.

## Features

- Trap module can be easily removed and replaced in minutes without having to disconnect any piping
- Trap modules can be used with most manufacturers' 2-bolt universal connector
- All stainless steel construction with hardened seat

## Sample Specification

The steam trap module shall be designed to attach to the industry standard two-bolt universal connector. Trap module shall be of a thermostatic design. The universal connector shall conform to the two-bolt industry standard with integral strainer and blowdown options.

## Installation and Maintenance

Mounts to any two-bolt quick change universal connector. Trap module is attached to the connector using two bolts and two sealing gaskets. When a new trap module is needed, it can be easily removed and replaced with a standard open-end or socket wrench without unthreading the existing piping. In vertical piping installations with upward flow, use of a blowdown valve is not recommended. Discharge would be in upward and unsafe direction.

## Options

Universal Connectors are available with an integral strainer and blowdown valve. Connector is purchased separately. See the Universal Connectors section for more information.

## Helpful Selection Information

Connector selection to use with the UT450: UC450 (no strainer), UC450SR (strainer), UC450SBR (strainer and blowdown). Select this model for steam systems with maximum working pressure of 450 PSIG.

## MATERIALS

Body	Stainless Steel, AISI 420
Thermal Element	Stainless Steel, AISI 302
Disc & Seat	Stainless Steel, AISI 420
Insulation Cover	Stainless Steel, AISI 304
Bolts	Steel, ASTM A193 GR B7
Gaskets (2)	Spiral Wound 304 Stainless Steel with Grafoil Filler

## CAPACITIES — Condensate (lbs/hr)

Model	Orifice Size	Steam Inlet Pressure (PSIG)												
		5	10	20	50	100	125	150	200	250	300	350	400	450
UT450	3/16"	441	625	882	1391	1827	1969	2095	2305	2483	2636	2777	2903	3019

**Note:** 5/64" low capacity orifice is available upon request.

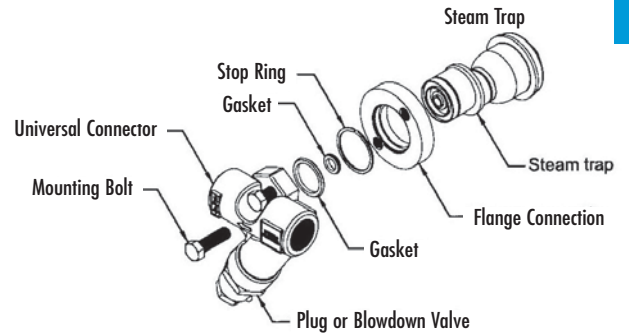
# UT450

# Universal Style Quick-Change Trap Module

**Thermostatic Steam Trap Module** (mounts to UC450 Universal Connectors)



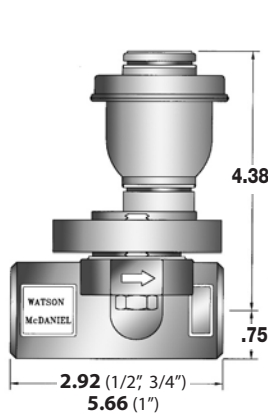
**UT450**  
Thermostatic Steam Trap Module shown with **UC450SL** Connectors



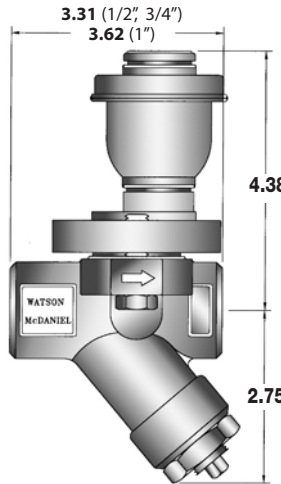
UT450 Trap Module may be mounted in any orientation

Horizontal Piping (Connector with Strainer)	Vertical Piping (Connector with Strainer)	Vertical or Horizontal Piping (No Strainer)
<p><b>Steam Flow to the Right or to the Left</b> UC450SBR &amp; UC450SB Connector shown below</p> <p>Trap shown with <b>UC450SBR</b> Connector</p> <p>Trap shown with <b>UC450SB</b> Connector</p>	<p><b>Steam Flow Downward</b> UC450SBR &amp; UC450SB Connector shown below</p> <p>Trap shown with <b>UC450SBR</b> Connector</p> <p>Trap shown with <b>UC450SB</b> Connector</p>	<p><b>Steam Flow Vertically or Horizontally</b> UC450 Connector shown below</p> <p>Trap shown with <b>UC450</b> Connector</p>

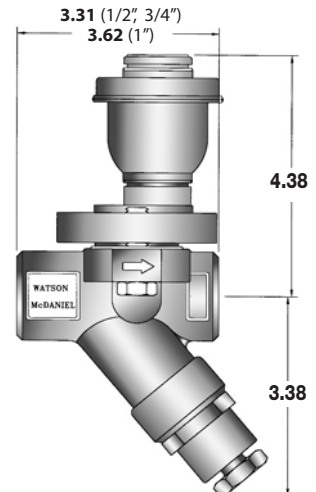
Connectors available in 1/2", 3/4" and 1" sizes in NPT and Socket-Weld Connections



UT450 Trap Module with UC450 Connector



UT450 Trap Module with UC450S Connector (Strainer)



UT450 Trap Module with UC450SB Connector (Strainer & Blowdown)