



Backflow Protected Wall Faucets

Model 26/B26/Y26

The Model 26 and B26 are field testable, backflow protected wall faucets intended for irrigation purposes in mild climate areas. The Model B26 is enclosed in a wall mounted box. Both models are designed to blend with modern architecture for installation on or in homes, service stations, churches, motels, drive-in restaurants, etc. The Model Y26 is designed to be used on a stand pipe in the lawn and garden, etc.

SPECIFICATIONS:

MODEL 50HF BACKFLOW PREVENTER -

Patent Pending

- ASSE 1052 Approved
- Listed by IAPMO
- Field Testable
- Two Independent Check Valves
- Drains automatically when hose is removed
- No spray back

FEATURES:

EPDM PACKING: Prevents leaking.

PACKING NUT: Adjustable brass nut with deep stem guard.

VALVE SEAT: Standard "O" size washer.

HANDLES: Furnished with polycarbonate wheel handle and loose tee key. **Optional:** Metal wheel handle.

INLETS: Model 26 as shown below.
Model B26: 26P- 1/2" or 26P 3/4" only.
Model Y26: 3/4" FPT.

MAX PRESSURE: 125 p.s.i.

MAX TEMPERATURE: 120° F

SHIPPING WEIGHT: (per unit)

MODEL 26 & Y26: 1.2 lbs

MODEL B26: 14.6 lbs (brass or chrome box)
6.5 lbs (aluminum box)



MODEL 26

Exterior Finish:

Standard - Chrome

Optional- Rough Brass (BR) or Polished Chrome (PC)



MODEL B26

Exterior Finish:

Standard - Chrome

Optional- Rough Brass (BR) or Polished Brass (PB)

Other Options: Anodized Aluminum Box and Door



MODEL Y26

Exterior Finish:

Standard - Chrome

Optional- Rough Brass (BR) or Polished Chrome (PC)

Inlet Descriptions

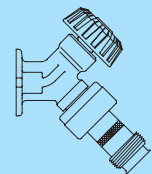
MODEL 26/B26

P-1/2" Inlet

1/2" FPT

P-3/4" Inlet

3/4" FPT



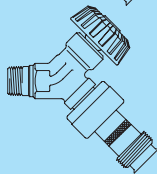
MODEL 26 ONLY

CP Inlet

COMBINATION

1/2" COPPER TUBE

1/2" MPT



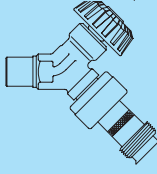
MODEL 26 ONLY

C Inlet

COMBINATION

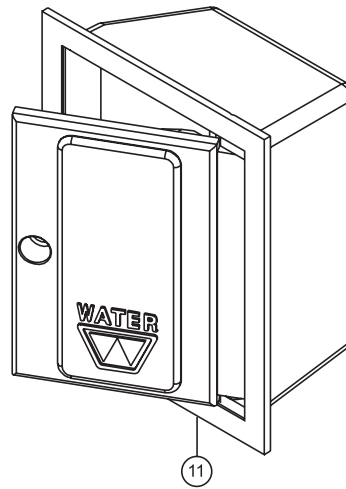
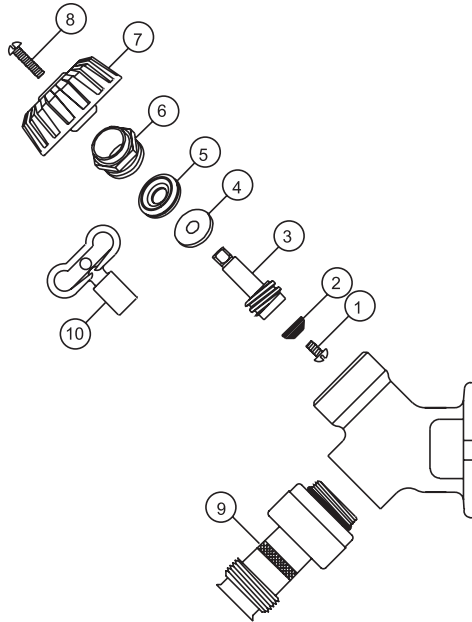
1/2" COPPER TUBE

3/4" COPPER TUBE



**For Installation / Troubleshooting Instructions go to
www.woodfordmfg.com or call 1-800-621-6032**

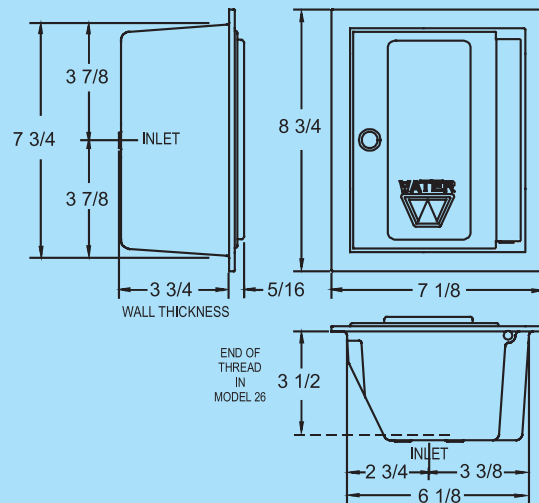
WOODFORD



MODEL 26/B26/Y26 PARTS LIST

ITEM	PART#	DESCRIPTION
1	30009	Washer Screw
2	30008	Washer
3	30104	Operating Stem
4	30105	Packing Support Washer
5	30247	EPDM Packing
6	30109	Packing Nut - chrome
	30107	Packing Nut - Brass
7	30120	Wheel Handle - Clear
	30233	Wheel Handle - Tan
8	30121	Handle Screw - Nickel
	30002	Handle Screw - Brass
9	50HF-CH	50HF Backflow Preventer - Chrome
	50HF-BR	50HF Backflow Preventer - Brass
10	50009	Tee Key
11	B26BX	Box/Door Assembly - Chrome
	B26BX-BR	Box/Door Assembly - Brass
	B26BX-PB	Box/Door Assembly - Polished Brass
	B26BX-AL	Box/Door Assembly - Anodized Aluminum
	RK-24	Chrome Repair Kit (Includes items 1-8)
	RK-H34	Brass Repair Kit (Includes items 1-8)

**MODEL B26
Rough-In Dimensions**



Manufactured under one or more of the following patents: U.S. Patents: 3,414,001; 3,543,786; 4,178,956; 4,316,481; D216,790; D216,791; D277,365; D277,366; Canada Patents: 822,458; 852,529; 865,995

For more information contact...

WOODFORD MANUFACTURING COMPANY, LLC.

2121 Waynoka Road, Colorado Springs, Colorado 80915 • Phone: (800) 621-6032

To view our complete product line visit: www.woodfordmfg.com or email: sales@woodfordmfg.com