



Note: RoHS applies only to 304 SS and 316 SS syphons


### Description & Features:

- On steam service, the syphon will prevent hot steam from entering a pressure gauge, diaphragm seal or transmitter
- Available in brass/steel for non-corrosive applications and stainless steel for corrosive applications
- CRN registered
- 5 year warranty

### Applications:

- Recommended for applications involving temperatures above 100°F (37°C)
- Ideal for steam installations

### Specifications

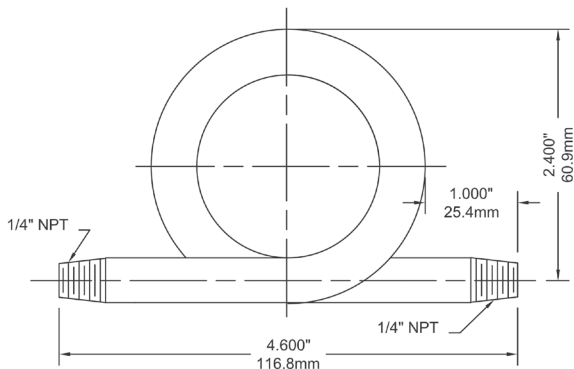
<b>Material</b>	Schedule 40 brass, schedule 40, 80 carbon steel, 304 SS or 316 SS (all types seamless)
<b>Style</b>	180° coil
<b>Connection</b>	1/4" NPTM x 1/4" NPTM or 1/2" NPTM x 1/2" NPTM
<b>Maximum Operating Pressure</b>	Schedule 40: Brass, carbon steel, 304 SS, 316 SS suitable up to 500 psi at 680°F (360°C) Schedule 80: Carbon steel, 304 SS, 316 SS suitable up to 1,650 psi at 630°F (332°C)
<b>Warning (brass syphons only)</b>	 <b>WARNING:</b> This product can expose you to chemicals including lead, which is known to the State of California to cause cancer and birth defects or other reproductive harm. For more information go to <a href="http://www.P65Warnings.ca.gov">www.P65Warnings.ca.gov</a> .

### Order Codes (products in bold are normally stock in North America)

Material	<b>1/4" NPT</b>	<b>1/2" NPT</b>
Schedule 40 Brass	<b>SSP545</b>	SSP559
Schedule 40 Carbon Steel	<b>SSP525</b>	SSP555
Schedule 40 304 SS	<b>SSP535</b>	SSP585
Schedule 40 316 SS	<b>SSP554</b>	<b>SSP557</b>
Schedule 80 Carbon Steel	<b>SSP556</b>	SSP2715
Schedule 80 304 SS	<b>SSP595</b>	SSP2716
Schedule 80 316 SS	-	SSP2719

Note: Schedule 80 316 SS and extra-extra strong schedule available

### 1/4" Syphon



### 1/2" Syphon

