

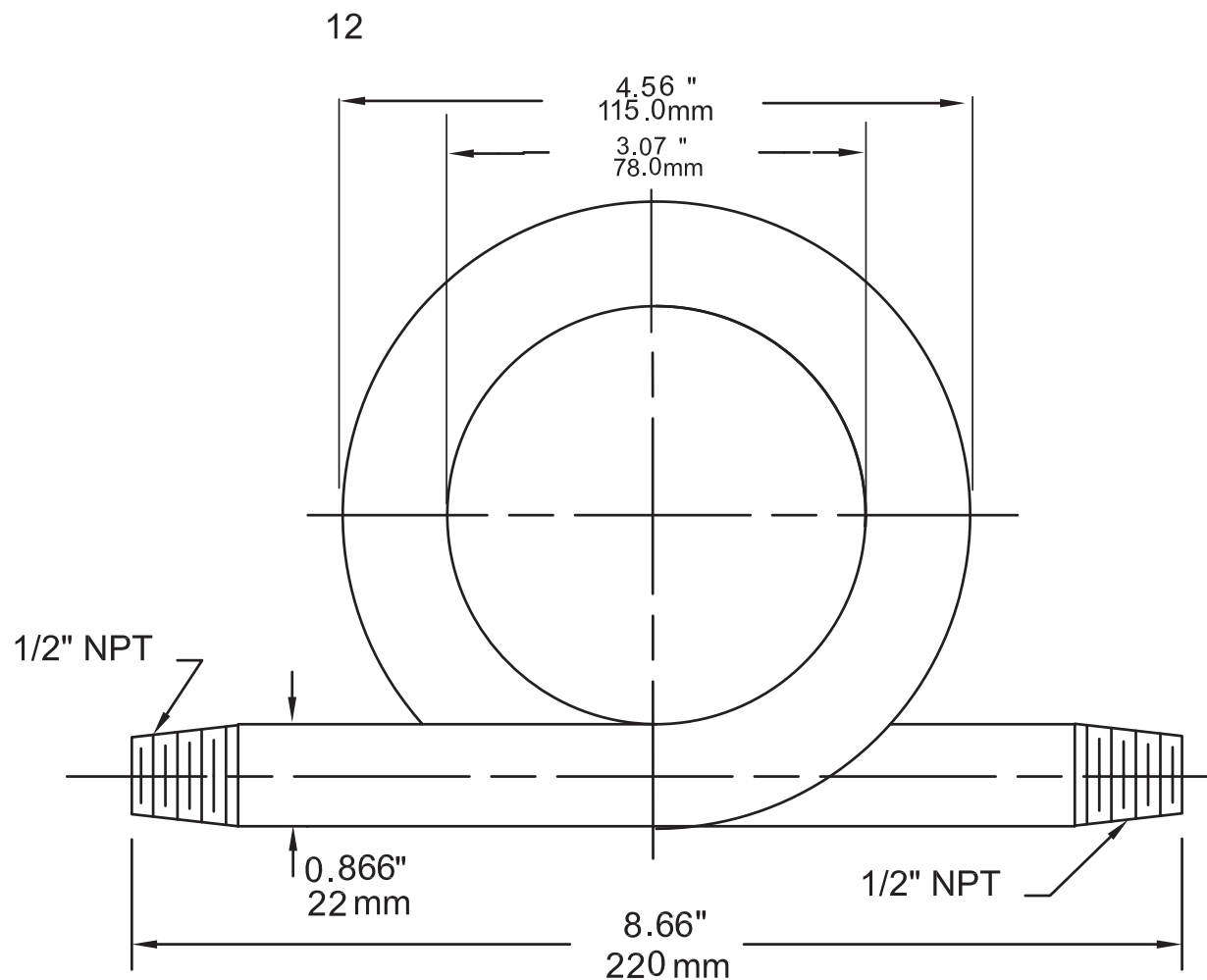
Material: Sch 40 Steel Coil (seamless) , Sch 40 304SS (seamless), Sch 40 316SS (seamless)

Style: 180 degree coil

Maximum Operating Pressure: 1/2" NPT Sch 40 Seamless - 500psi @ 680°F (360°C)

1/2" NPT Sch 80 Seamless - 1650psi @ 630°F (332°C)

1/2" NPT Sch 160 Seamless - 3200psi @ 1100°F (548°C)



DRAWN BY: DAVID REAY

ENG. APPROVAL: DR

ALL DIMENSIONS IN INCHES/MM

TOLERANCES
(unless otherwise stated)

Fractional: $\frac{1}{64}$ " 0.4mm

Decimal: 0.06" 1.5mm

REVISION DATE: #4 March 17, 2021

TITLE:

SYPHON, SCHEDULE 40, 1/2" NPT

DRAWING NO: SSP-40-X-2-N-M