

Case Material: AISI 304 stainless steel

Lens Material: Polycarbonate

Ring: AISI 304 stainless steel, crimp-on

Socket: Brass

Tube: Phosphor bronze

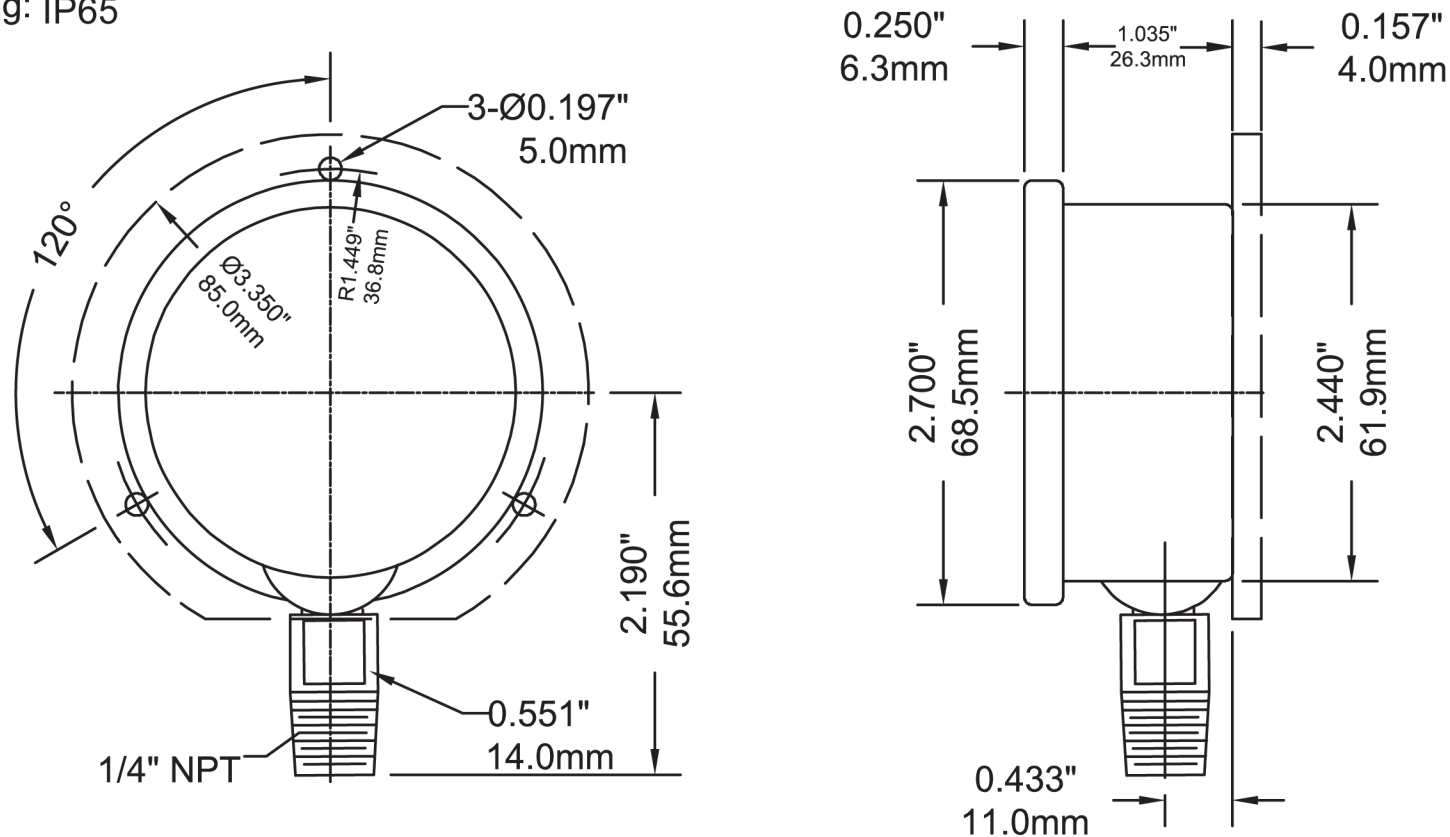
Movement: Brass

Accuracy: $\pm 1.6\%$

Ambient Temperature Limits: -14°F to 158°F (-25°C to 70°C)

Process Temperature Limits: -14°F to 158°F (-25°C to 70°C)

Enclosure Rating: IP65



DRAWN BY: PHOEBE MA

ENG. APPROVAL:

David Reay

Digitally signed by David Reay
DN: cn=David Reay, c=CA, l=Toronto,
st=Ontario, o=Winters Instruments,
email=dreay@winters.com
Reason: I am approving this document
Date: 2009.02.17 15:32:27 -0500

ALL DIMENSIONS IN INCHES/MM

TOLERANCES
(unless otherwise stated)

Fractional:	$\frac{1}{64}"$ 0.4mm
Decimal:	0.06" 1.5mm

REVISION DATE: Jan. 08, 2009

TITLE:

STABILIZER GAUGE, BOTTOM CONN C/W
BACK FLANGE

DRAWING NO: PFQ-ZR-25-T-B-B