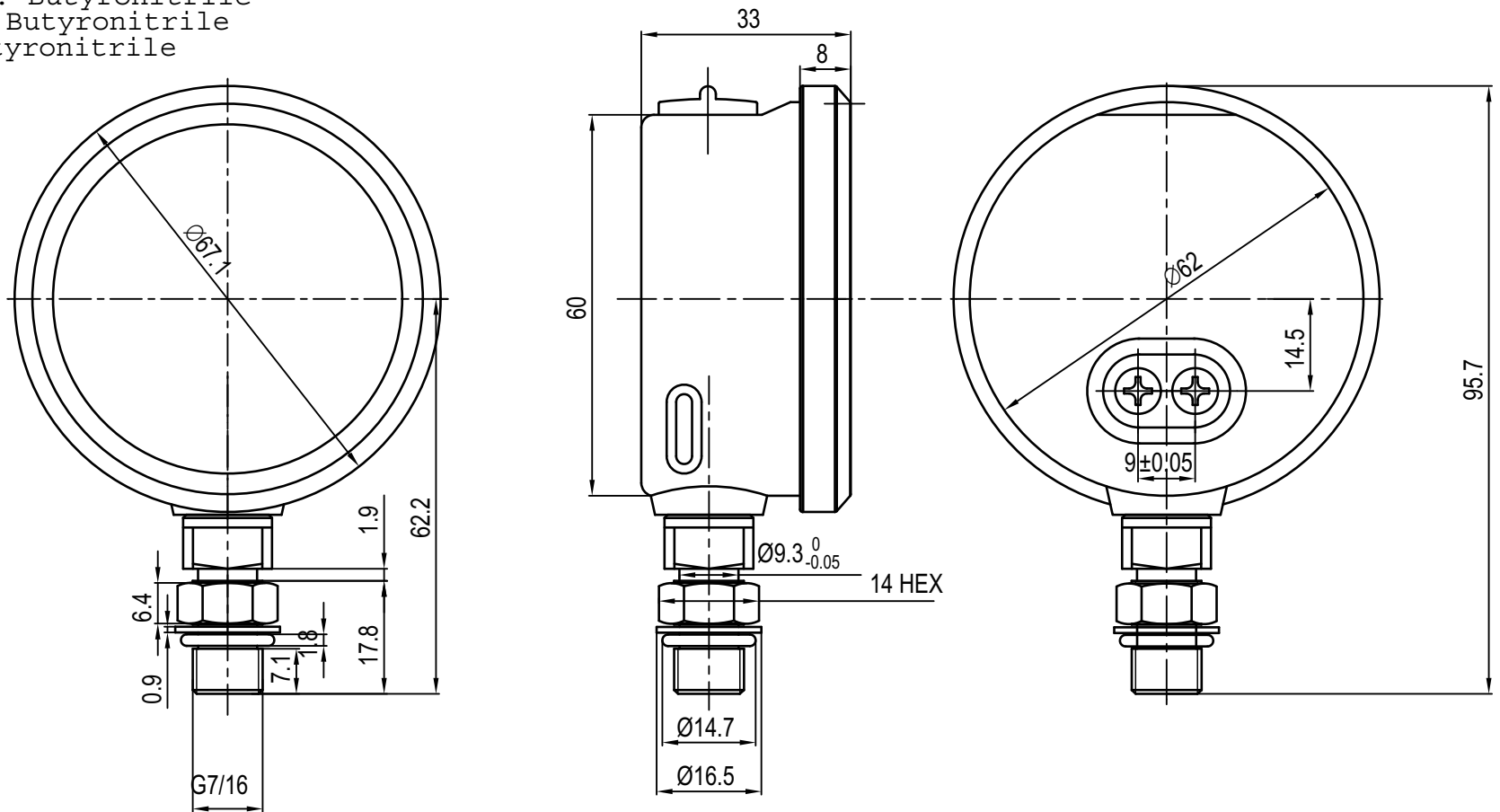


Case Material: AISI 304 stainless steel
 Lens Material: Polycarbonate
 Ring: AISI 304 stainless steel, crimp-on
 Socket, socket washer and socket nut :Brass
 Bourdon Tube: Phosphor Bronze
 Movement: Brass
 Accuracy: $\pm 1.5\%$
 Ambient Temp. Limits Glycerin Fill: -4°F to 150°F (-20°C to 65°C)
 Process Temp. Limits Glycerin Fill: -4°F to 150°F (-20°C to 65°C)
 Enclosure Rating: IP65
 Socket O-ring: Butyronitrile
 Lens O-ring: Butyronitrile
 Fill Plug: Butyronitrile



DRAWN BY: DAVID REAY
 ENG. APPROVAL: DR

ALL DIMENSIONS IN INCHES/MM

TOLERANCES
(unless otherwise stated)

Fractional:	$\frac{1}{64}''$ 0.4mm
Decimal:	0.06" 1.5mm

REVISION No AND DATE: #2 May 3, 2012

TITLE:

2.5" STAINLESS LIQUID FILLED GAUGE
 C/W 7/16" -20 SAE BOTTOM CONN.

DRAWING NO: PFQ3664