

Case Material: AISI 304 stainless steel

Lens Material: Polycarbonate

Ring: 304 stainless steel, bayonet mount

Socket: 316L SS

Tube: 316L SS

Movement: Stainless steel

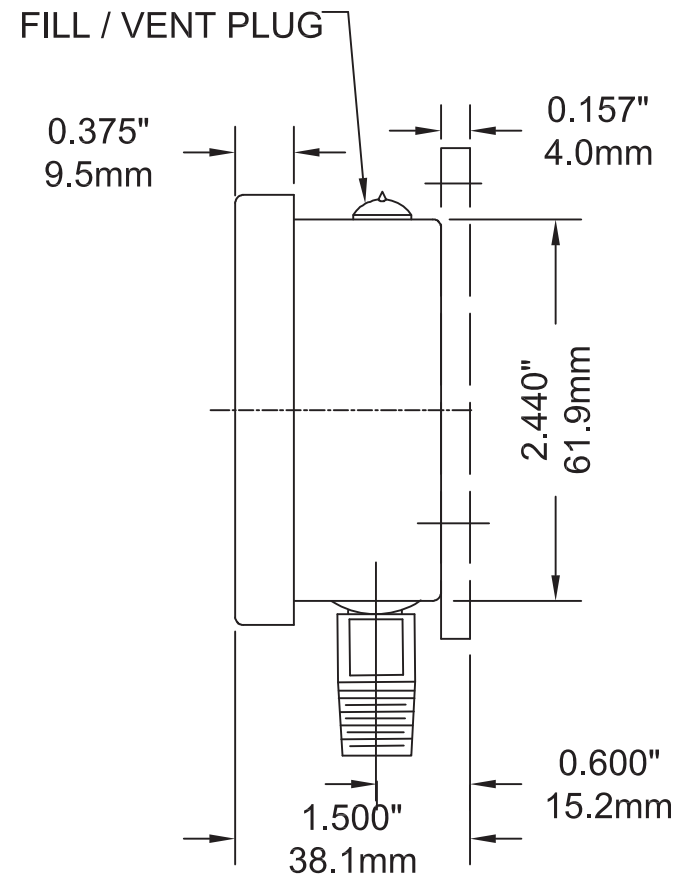
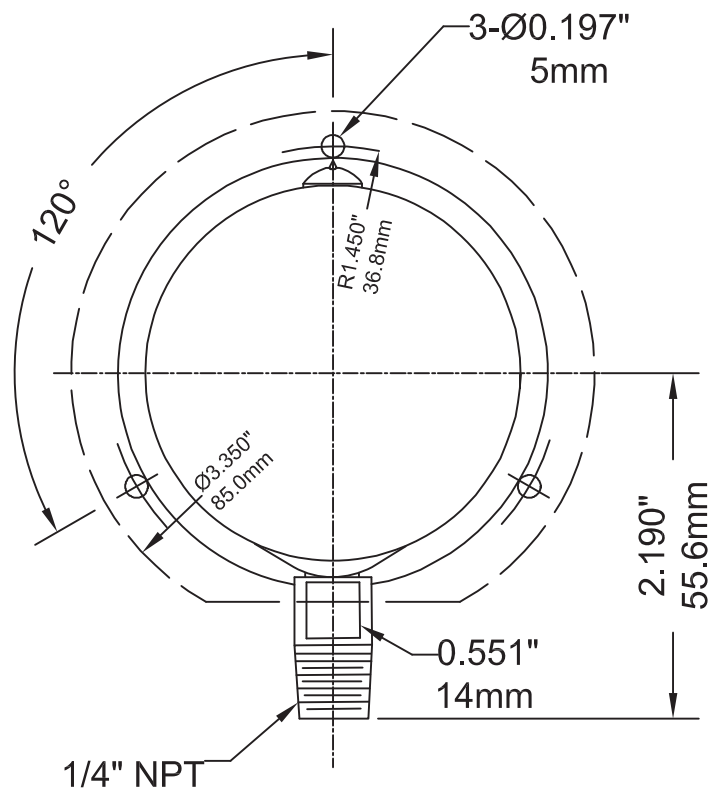
Accuracy: $\pm 1.5\%$ of full scale value

Ambient Temp. Limits: -40°F to 250°F (-40°C to 120°C) Dry;

-4°F to 150°F (-20°C to 65°C) Glycerin Filled

Process Temp. Limits: -40°F to 250°F (-40°C to 120°C)

Enclosure Rating: IP66



DRAWN BY: ROBIN LUGTU

ENG. APPROVAL: D. REAY

ALL DIMENSIONS IN INCHES/MM

TOLERANCES
(unless otherwise stated)

Fractional: $\frac{1}{64}$ " 0.4mm

Decimal: 0.06" 1.5mm

REVISION No AND DATE: #4, July. 4, 2017

TITLE:

2.5" PREMIUM GAUGE, BOTTOM CONNECTION,
OPTIONAL BACK FLANGE

DRAWING NO: PFP-25-T-S-B