

1. Maximum Indicating Pointer



Note: RoHS applies to SS internals only

## Description & Features:

- Liquid filled stainless steel case protects against vibration and pulsation
- Bayonet ring
- Highly accurate
- Back, bottom, or panel mounted
- Under and overload stops
- Ventable plug on 2.5" to 4.5" stainless steel and 4.5" brass bottom mount and 4" stainless steel back mount
- Stainless steel or brass wetted parts
- Restrictor screw standard on dual scale (optional on single scale)
- Dry case available
- ASME B40.100 compliant (EN837-1 available)
- CRN registered
- 5 year warranty

## Applications:

- Outdoor and severe ambient and process conditions
- Use where harmful vibration and pulsation are present
- Hydraulic equipment, oil field equipment, pumps, compressors and process industries

Specifications	Stainless Steel Internals	Brass Internals
Dial	2.5" (63mm), 4" (100mm), 4.5" (115mm), 6" (150mm) white aluminum with black and red markings	4" (100mm), 4.5" (115mm) white aluminum with black and red markings
Case	AISI 304 SS	AISI 304 SS
Lens	Polycarbonate, High pressure BSP(G) and HP: Tempered safety glass	Polycarbonate
Ring	AISI 304 SS	AISI 304 SS
Socket	316L SS, Welded one-piece socket	OT 58 brass
Connection	1/4" NPT or 1/2" NPT standard, High Pressure: 1/2" BSP(G) or 9/16" autoclave or 1/4" autoclave with 9/16" gland/collar	1/4" NPT or 1/2" NPT standard
Bourdon Tube	316L SS, drawn seamless	Phosphor bronze
Movement	304 SS (under and overload stops 4" to 6")	OT 59 brass (under and overload stops 4")
Pointer	2.5" (63mm): Aluminum, anodized black, 4" (100mm), 4.5" (115mm), 6" (150mm): Aluminum, anodized black, micrometer adjustable	4" (100mm), 4.5" (115mm): Aluminum, anodized black
Welding	Laser welded socket to case	Silver alloy
Fill Liquid	Glycerin	Glycerin
Over-pressure Limit	25% for pressures up to 1,450 psi (9,998 kPa), 15% for pressures over 1,450 psi (9,998 kPa)	25% for pressures up to 1,450 psi (9,998 kPa), 15% for pressures over 1,450 psi (9,998 kPa)
Socket Gasket	N/A	Buna N for two-piece internal socket seal
Fill Plug	Buna N (silicone rubber option)	Buna N (silicone rubber option)
Lens Ring Gasket	Buna N (silicone rubber option)	Buna N (silicone rubber option)
Working Pressure	Maximum 75% of full scale value	Maximum 75% of full scale value
Ambient Temperature	Dry: -40°F to 250°F (-40°C to 120°C) Glycerin Filled: -4°F to 150°F (-20°C to 65°C)	Dry: -40°F to 200°F (-40°C to 93°C) Glycerin Filled: -4°F to 150°F (-20°C to 65°C)
Process Temperature	-40°F to 250°F (-40°C to 120°C)	-40°F to 200°F (-40°C to 93°C)
Accuracy	2.5" (63mm): ±1.5% of full scale value 4" (100mm), 4.5" (115mm), 6" (150mm): ±1% ANSI/ASME Grade 1A	4" (100mm), 4.5" (115mm): ±1% ANSI/ASME Grade 1A
Enclosure Rating	NEMA 4X/IP66, EN60529-1 (IEC529-1)	NEMA 4X/IP66, EN60529-1 (IEC529-1)
Warning (brass internals only)	N/A	<p><b>WARNING:</b> This product can expose you to chemicals including lead, which is known to the State of California to cause cancer and birth defects or other reproductive harm. For more information go to <a href="http://www.P65Warnings.ca.gov">www.P65Warnings.ca.gov</a>.</p>

### Single Scale Order Codes (products in bold are normally stock in North America)

Dial Size	2.5" (63mm)		4" (100mm)			
Connection	1/4" Bottom	1/4" Back (CB)	1/4" Bottom	1/4" Back (LB)	1/2" Bottom	1/2" Back (LB)
Movement, Socket, Tube	SS					
30" Hg Vac	<b>PFP820R1</b>	PFP840R1	PFP640R1	PFP1090R1	PFP655R1	-
30"/0/15 psi	PFP860R1	PFP870R1	PFP1036R1	PFP1244R1	PFP1044R1	-
30"/0/30 psi	<b>PFP861R1</b>	PFP871R1	PFP1037R1	PFP1245R1	PFP1045R1	-
30"/0/60 psi	PFP862R1	PFP872R1	PFP1038R1	PFP1246R1	PFP1046R1	-
30"/0/100 psi	PFP863R1	PFP873R1	PFP1039R1	PFP1247R1	PFP1047R1	-
30"/0/150 psi	PFP864R1	PFP874R1	PFP1040R1	PFP1248R1	PFP1048R1	-
30"/0/200 psi	PFP866R1	PFP876R1	PFP1042R1	PFP1249R1	PFP1050R1	-
30"/0/300 psi	PFP867R1	PFP877R1	PFP1043R1	PFP1250R1	PFP1051R1	-
0/15 psi	<b>PFP821R1</b>	<b>PFP921R1</b>	PFP641R1	PFP1091R1	PFP656R1	-
0/30 psi	<b>PFP822R1</b>	PFP922R1	PFP642R1	PFP1092R1	PFP657R1	-
0/60 psi	<b>PFP823R1</b>	<b>PFP923R1</b>	PFP643R1	PFP1093R1	PFP658R1	-
0/100 psi	<b>PFP824R1</b>	PFP924R1	PFP644R1	PFP1094R1	<b>PFP659R1</b>	-
0/160 psi	<b>PFP825R1</b>	<b>PFP925R1</b>	PFP645R1	PFP1095R1	<b>PFP660R1</b>	-
0/200 psi	<b>PFP826R1</b>	<b>PFP926R1</b>	PFP646R1	PFP1096R1	<b>PFP661R1</b>	-
0/300 psi	<b>PFP827R1</b>	PFP927R1	PFP647R1	PFP1097R1	<b>PFP662R1</b>	-
0/400 psi	PFP880R1	PFP881R1	PFP650R1	PFP1251R1	PFP666R1	-
0/600 psi	PFP828R1	PFP928R1	PFP648R1	PFP1098R1	<b>PFP663R1</b>	-
0/1,000 psi	PFP829R1	PFP929R1	PFP649R1	PFP1099R1	PFP664R1	-
0/1,500 psi	PFP834R1	PFP934R1	-	PFP1252R1	PFP665R1	PFP1190R1
0/2,000 psi	PFP830R1	PFP930R1	-	PFP1253R1	PFP667R1	PFP1191R1
0/3,000 psi	PFP831R1	PFP931R1	-	PFP1254R1	PFP668R1	PFP1192R1
0/5,000 psi	<b>PFP832R1</b>	PFP852R1	-	PFP1255R1	PFP669R1	PFP1193R1
0/6,000 psi	PFP836R1	PFP851R1	-	PFP1259R1	PFP675R1	PFP1197R1
0/10,000 psi	PFP833R1	PFP853R1	-	PFP1256R1	PFP670R1	PFP1194R1
0/15,000 psi	PFP835R1	PFP855R1	-	PFP1257R1	PFP671R1	PFP1195R1
0/20,000 psi	PFP837R1	-	-	PFP1258R1	PFP672R1	PFP1196R1

Other ranges and connection sizes available upon request. 316 SS case and mountable bezel available upon request. For scale change, refer to How to Order Guide for scale codes. **For options, attach suffix to end of order code: i.e. PFP929R1-25UC for U-CLAMP.**

#### Option suffix:

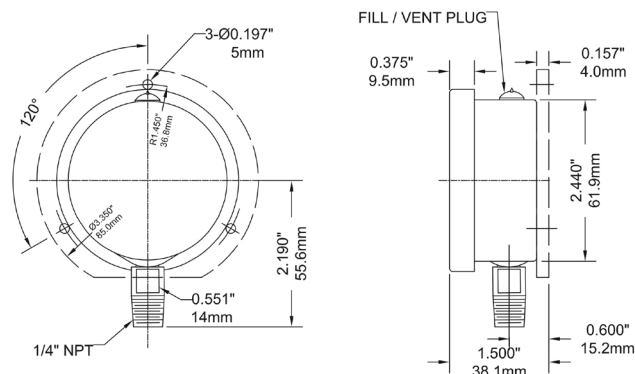
25BF = 2.5" (63mm) Back flange  
 25BOOT = 2.5" (63mm) black rubber boot  
 25DRY = Supply 2.5" (63mm) gauge dry  
 25FF = 2.5" (63mm) Front flange  
 25SS = 2.5" (63mm) 316 SS case  
 25UC = 2.5" (63mm) U-Clamp  
 4BF = 4" (100mm) Back flange

4FF = 4" (100mm) Front flange  
 4SS = 4" (100mm) SS case  
 4UC-P = 4" (100mm) U-Clamp premium  
 DRY = Supply gauge dry  
 EN = EN837-1 compliant  
 MAXI25 = 2.5" (63mm) Maxi pointer  
 MAXI4 = 4" (100mm) Maxi pointer

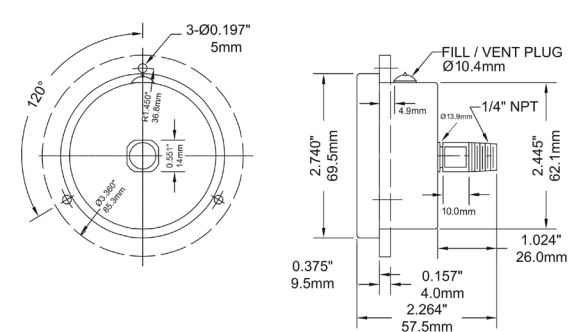
REST = Restrictor screw  
 RSP4 = 4" (100mm) Red set pointer  
 SF25 = 2.5" (63mm) Silicone filled  
 SF4 = 4" (100mm) Silicone filled  
 SG-25 = 2.5" (63mm) Safety glass lens  
 SG-4 = 4" (100mm) Safety glass lens

For WinBRIGHT dial options refer to Custom Dials

### 2.5" Bottom Connection with Back Flange



### 2.5" Back Connection with Front Flange



## Dual Scale Order Codes (products in bold are normally stock in North America)

Dial Size	2.5" (63mm)		4" (100mm)							
Connection	1/4" Bottom	1/4" Back (CB)	1/4" Bottom	1/4" Back (LB)	1/4" Bottom	1/4" Back (LB)	1/2" Bottom	1/2" Back (LB)	1/2" Bottom	1/2" Back (LB)
Movement, Socket, Tube	SS		Brass		SS		Brass		SS	
30" Hg Vac/kPa	<b>PFP820</b>	<b>PFP840</b>	PFP600	PFP1000	PFP640	PFP1090	PFP2284	-	PFP655	PFP2308
30"/0/15 psi/kPa	PFP860	PFP870	PFP1020	PFP1028	PFP1036	PFP1244	PFP2285	-	PFP1044	PFP2309
30"/0/30 psi/kPa	<b>PFP861</b>	PFP871	PFP1021	PFP1029	PFP1037	PFP1245	PFP2286	-	PFP1045	PFP2310
30"/0/60 psi/kPa	PFP862	<b>PFP872</b>	PFP1022	PFP1030	<b>PFP1038</b>	PFP1246	PFP2287	-	PFP1046	PFP2311
30"/0/100 psi/kPa	PFP863	PFP873	PFP1023	PFP1031	PFP1039	PFP1247	PFP2288	-	PFP1047	PFP2312
30"/0/150 psi/kPa	PFP864	PFP874	PFP1024	PFP1032	PFP1040	PFP1248	PFP2289	-	PFP1048	PFP2313
30"/0/200 psi/kPa	PFP866	PFP876	PFP1026	PFP1034	PFP1042	PFP1249	PFP2290	-	PFP1050	PFP2314
30"/0/300 psi/kPa	<b>PFP867</b>	PFP877	PFP1027	PFP1035	PFP1043	PFP1250	PFP2291	-	PFP1051	PFP2315
0/15 psi/kPa	<b>PFP821</b>	PFP921	PFP601	PFP1001	PFP641	PFP1091	PFP2292	-	PFP656	PFP2316
0/30 psi/kPa	<b>PFP822</b>	<b>PFP922</b>	PFP602	PFP1002	<b>PFP642</b>	PFP1092	PFP2293	-	PFP657	PFP2317
0/60 psi/kPa	<b>PFP823</b>	<b>PFP923</b>	<b>PFP603</b>	PFP1003	<b>PFP643</b>	PFP1093	PFP2294	-	<b>PFP658</b>	PFP2318
0/100 psi/kPa	<b>PFP824</b>	<b>PFP924</b>	<b>PFP604</b>	PFP1004	<b>PFP644</b>	PFP1094	PFP2295	-	<b>PFP659</b>	PFP2319
0/160 psi/kPa	<b>PFP825</b>	<b>PFP925</b>	<b>PFP605</b>	PFP1005	<b>PFP645</b>	PFP1095	PFP2296	-	<b>PFP660</b>	PFP2320
0/200 psi/kPa	<b>PFP826</b>	<b>PFP926</b>	PFP606	PFP1006	<b>PFP646</b>	PFP1096	PFP2297	-	<b>PFP661</b>	PFP2321
0/300 psi/kPa	<b>PFP827</b>	<b>PFP927</b>	PFP607	PFP1007	<b>PFP647</b>	PFP1097	PFP2298	-	<b>PFP662</b>	PFP2322
0/400 psi/kPa	<b>PFP880</b>	PFP881	PFP610	PFP1016	PFP650	PFP1251	PFP2299	-	<b>PFP666</b>	PFP2323
0/600 psi/kPa	<b>PFP828</b>	<b>PFP928</b>	PFP608	PFP1008	<b>PFP648</b>	PFP1098	PFP2300	-	<b>PFP663</b>	PFP2324
0/1,000 psi/kPa	<b>PFP829</b>	<b>PFP929</b>	PFP609	-	PFP649	PFP1099	PFP624	PFP1009	<b>PFP664</b>	PFP2325
0/1,500 psi/kPa	PFP834	PFP934	-	-	PFP2301	PFP1252	PFP625	PFP1010	PFP665	PFP1190
0/2,000 psi/kPa	<b>PFP830</b>	PFP930	-	-	PFP2302	PFP1253	PFP626	PFP1011	PFP667	PFP1191
0/3,000 psi/kPa	<b>PFP831</b>	<b>PFP931</b>	-	-	PFP2303	PFP1254	PFP627	PFP1012	PFP668	PFP1192
0/5,000 psi/kPa	<b>PFP832</b>	<b>PFP852</b>	-	-	PFP2304	PFP1255	PFP628	PFP1013	PFP669	PFP1193
0/6,000 psi/kPa	PFP836	<b>PFP851</b>	-	-	PFP2305	PFP1259	PFP631	PFP1015	PFP675	PFP1197
0/10,000 psi/kPa	<b>PFP833</b>	PFP853	-	-	PFP2306	PFP1256	PFP629	PFP1014	PFP670	PFP1194
0/15,000 psi/kPa	PFP835	PFP855	-	-	PFP2307	PFP1257	-	-	PFP671	PFP1195
0/20,000 psi/kPa	PFP837	-	-	-	-	PFP1258	-	-	<b>PFP672</b>	PFP1196

Other ranges and connection sizes available upon request. 316 SS case and mountable bezel available upon request. For scale change, refer to How to Order Guide for scale codes. **For options, attach suffix to end of order code: i.e. PFP929-25UC for U-CLAMP.**

### Option suffix:

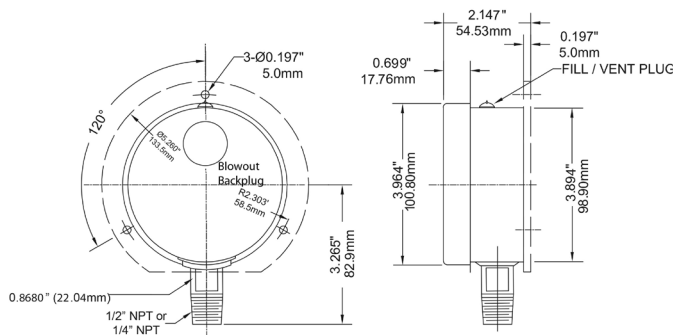
25BF = 2.5" (63mm) Back flange  
 25BOOT = 2.5" (63mm) black rubber boot  
 25DRY = Supply 2.5" (63mm) gauge dry  
 25FF = 2.5" (63mm) Front flange  
 25SS = 2.5" (63mm) 316 SS case  
 25UC = 2.5" (63mm) U-Clamp  
 4BF = 4" (100mm) Back flange

4FF = 4" (100mm) Front flange  
 4SS = 4" (100mm) SS case  
 4UC-P = 4" (100mm) U-Clamp premium  
 DRY = Supply gauge dry  
 EN = EN837-1 compliant  
 MAXI25 = 2.5" (63mm) Maxi pointer  
 MAXI4 = 4" (100mm) Maxi pointer

RSP4 = 4" (100mm) Red set pointer  
 SF25 = 2.5" (63mm) Silicone filled  
 SF4 = 4" (100mm) Silicone filled  
 SG-25 = 2.5" (63mm) Safety glass lens  
 SG-4 = 4" (100mm) Safety glass lens

For WinBRIGHT dial options refer to Custom Dials

### 4" Bottom Connection with Back Flange



### High Pressure Order Codes

Dial Size	4" (100mm)			
Connection	1/2" BSP(G) Bottom	1/2" BSP(G) Back (LB)	9/16" HP Bottom	1/4" HP Autoclave w/9/16" gland and collar Bottom
Movement, Socket, Tube	SS			
0/20,000 psi/kPa	-	-	PFP9601	PFP9621
0/25,000 psi/kPa	PFP9602T1	PFP9652T1	PFP9602	PFP9622
0/30,000 psi/kPa	PFP9603T1	PFP9653T1	PFP9603	PFP9623
0/35,000 psi/kPa	PFP9604T1	PFP9654T1	PFP9604	PFP9624
0/40,000 psi/kPa	PFP9605T1	PFP9655T1	PFP9605	PFP9625

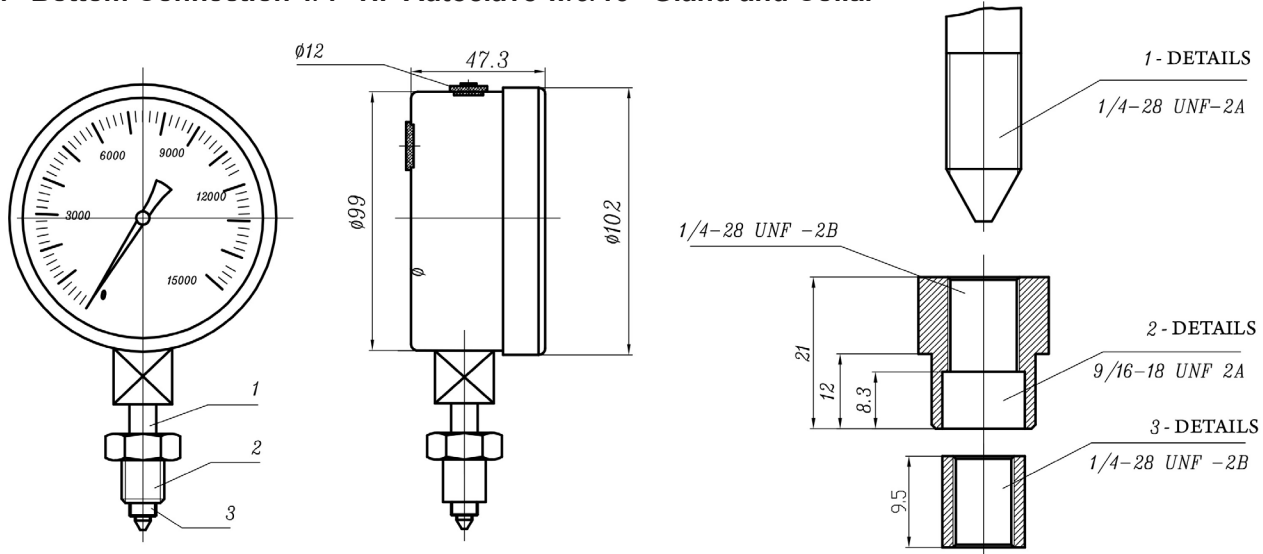
Other ranges and connection sizes available upon request. 316 SS case and mountable bezel available upon request. For scale change, refer to How to Order Guide for scale codes. **For options, attach suffix to end of order code: i.e. PFP9652T1-4UC-P for U-CLAMP.**

#### Option suffix:

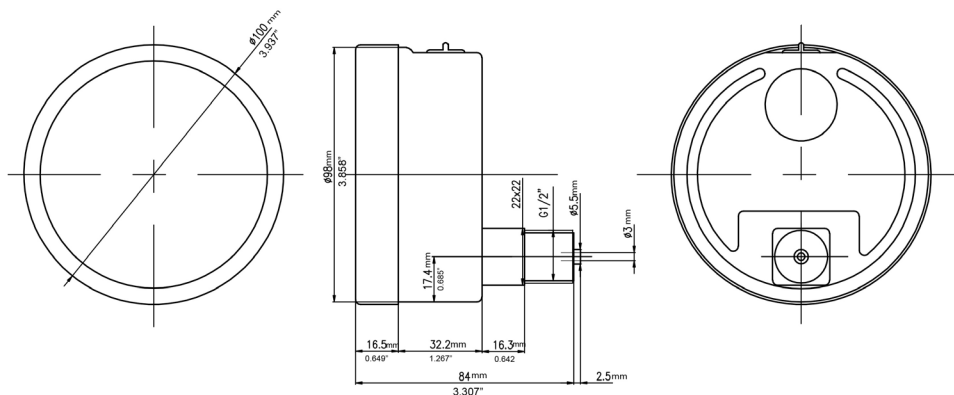
- |                                    |                                     |
|------------------------------------|-------------------------------------|
| 4BF = 4" (100mm) Back flange       | EN = EN837-1 compliant              |
| 4FF = 4" (100mm) Front flange      | RSP4 = 4" (100mm) Red set pointer   |
| 4SS = 4" (100mm) SS case           | SF4 = 4" (100mm) Silicone filled    |
| 4UC-P = 4" (100mm) U-Clamp premium | SG-4 = 4" (100mm) Safety glass lens |
| DRY = Supply gauge dry             |                                     |

For WinBRIGHT dial options refer to Custom Dials

### 4" Bottom Connection 1/4" HP Autoclave w/9/16" Gland and Collar



### 4" Back Connection HP 1/2" BSP(G)



## Dual Scale Order Codes

Dial Size	4.5" (115mm)							
Connection	1/4" Bottom	1/4" Back (LB)	1/2" Bottom	1/2" Back (LB)	1/4" Bottom	1/4" Back (LB)	1/2" Bottom	1/2" Back (LB)
Movement, Socket, Tube	Brass				SS			
30" Hg Vac/kPa	PFP500	PFP1300	PFP550	PFP1350	PFP700	PFP400	PFP750	PFP450
30"/0/15 psi/kPa	PFP501	PFP1301	PFP551	PFP1351	PFP701	PFP401	PFP751	PFP451
30"/0/30 psi/kPa	PFP502	PFP1302	PFP552	PFP1352	PFP702	PFP402	PFP752	PFP452
30"/0/60 psi/kPa	PFP503	PFP1303	PFP553	PFP1353	PFP703	PFP403	PFP753	PFP453
30"/0/100 psi/kPa	PFP504	PFP1304	PFP554	PFP1354	PFP704	PFP404	PFP754	PFP454
30"/0/150 psi/kPa	PFP505	PFP1305	PFP555	PFP1355	PFP705	PFP405	PFP755	PFP455
30"/0/200 psi/kPa	PFP506	PFP1306	PFP556	PFP1356	PFP706	PFP406	PFP756	PFP456
30"/0/300 psi/kPa	PFP507	PFP1307	PFP557	PFP1357	PFP707	PFP407	PFP757	PFP457
0/15 psi/kPa	PFP508	PFP1308	PFP558	PFP1358	PFP708	PFP408	PFP758	PFP458
0/30 psi/kPa	PFP509	PFP1309	PFP559	PFP1359	PFP709	PFP409	PFP759	PFP459
0/60 psi/kPa	PFP510	PFP1310	PFP560	PFP1360	PFP710	PFP410	PFP760	PFP460
0/100 psi/kPa	PFP511	PFP1311	PFP561	PFP1361	PFP711	PFP411	PFP761	PFP461
0/160 psi/kPa	PFP512	PFP1312	PFP562	PFP1362	PFP712	PFP412	PFP762	PFP462
0/200 psi/kPa	PFP513	PFP1313	PFP563	PFP1363	PFP713	PFP413	PFP763	PFP463
0/300 psi/kPa	PFP514	PFP1314	PFP564	PFP1364	PFP714	PFP414	PFP764	PFP464
0/400 psi/kPa	PFP515	PFP1315	PFP565	PFP1365	PFP715	PFP415	PFP765	PFP465
0/600 psi/kPa	PFP516	PFP1316	PFP566	PFP1366	PFP716	PFP416	PFP766	PFP466
0/1,000 psi/kPa	PFP517	PFP1317	PFP567	PFP1367	PFP717	PFP417	PFP767	PFP467
0/1,500 psi/kPa	PFP518	PFP1318	PFP568	PFP1368	PFP718	PFP418	PFP768	PFP468
0/2,000 psi/kPa	PFP519	PFP1319	PFP569	PFP1369	PFP719	PFP419	PFP769	PFP469
0/3,000 psi/kPa	PFP520	PFP1320	PFP570	PFP1370	PFP720	PFP420	PFP770	PFP470
0/5,000 psi/kPa	PFP521	PFP1321	PFP571	PFP1371	PFP721	PFP421	PFP771	PFP471
0/6,000 psi/kPa	PFP522	PFP1322	PFP572	PFP1372	PFP722	PFP422	PFP772	PFP472
0/10,000 psi/kPa	PFP523	PFP1323	PFP573	PFP1373	PFP723	PFP423	PFP773	PFP473
0/15,000 psi/kPa	-	-	-	-	PFP724	PFP424	PFP774	PFP474
0/20,000 psi/kPa	-	-	-	-	PFP725	PFP425	PFP775	PFP475

Other ranges and connection sizes available upon request. 316 SS case and mountable bezel available upon request.

For scale change, refer to How to Order Guide for scale codes. **For options, attach suffix to end of order code:**

**i.e. PFP1311-DRY for DRY GAUGE.**

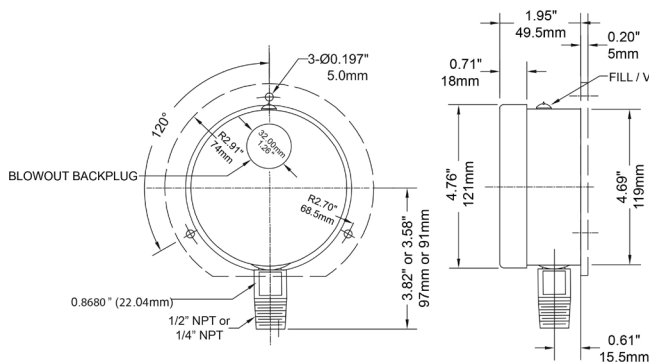
### Option suffix:

DRY = Supply gauge dry  
 EN = EN837-1 compliant  
 SF45 = 4.5" (115mm) Silicone filled

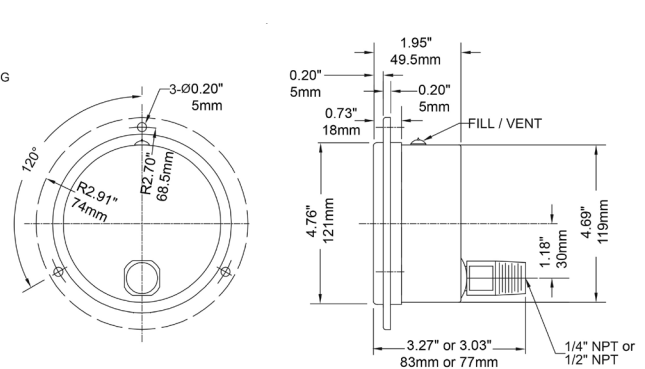
SG-45-P = 4.5" (115mm) Safety glass lens  
 45BF-P = 4.5" Back Flange  
 45FF-P = 4.5" Front Flange

45UC-P = 4.5" U-Clamp

### 4.5" Bottom Connection with Back Flange



### 4.5" Back Connection with Front Flange



### Dual Scale Order Codes

Dial Size	6" (150mm)			
Connection	1/4" Bottom	1/4" Back (LB)	1/2" Bottom	1/2" Back (LB)
Movement, Socket, Tube	SS			
30" Hg Vac/kPa	PFP1078	PFP1168	PFP2326	-
30"/0/15 psi/kPa	PFP1079	-	PFP2327	-
30"/0/30 psi/kPa	PFP1052	-	PFP2328	-
30"/0/60 psi/kPa	PFP1053	-	PFP2329	-
30"/0/100 psi/kPa	PFP1054	-	PFP2330	-
30"/0/150 psi/kPa	PFP1055	-	PFP2331	-
30"/0/200 psi/kPa	PFP1057	-	PFP2332	-
30"/0/300 psi/kPa	PFP1058	-	PFP2333	-
0/15 psi/kPa	PFP1059	PFP1159	PFP2334	-
0/30 psi/kPa	PFP1060	PFP1160	PFP2335	-
0/60 psi/kPa	PFP1061	PFP1161	PFP2336	-
0/100 psi/kPa	PFP1062	PFP1162	PFP2337	-
0/160 psi/kPa	PFP1063	PFP1163	PFP2338	-
0/200 psi/kPa	PFP1064	PFP1164	PFP2339	-
0/300 psi/kPa	PFP1065	PFP1165	PFP2340	-
0/400 psi/kPa	PFP1077	-	PFP2341	-
0/600 psi/kPa	PFP1066	PFP1166	PFP2342	-
0/1,000 psi/kPa	PFP1067	PFP1167	PFP1080	-
0/1,500 psi/kPa	PFP1068	-	PFP1081	PFP1169
0/2,000 psi/kPa	PFP1069	-	PFP1082	PFP1170
0/3,000 psi/kPa	PFP1070	-	PFP1083	PFP1171
0/4,000 psi/kPa	PFP1071	-	PFP1084	-
0/5,000 psi/kPa	PFP1072	-	PFP1085	PFP1172
0/6,000 psi/kPa	PFP1289	-	PFP1089	PFP1176
0/10,000 psi/kPa	PFP1073	-	PFP1086	PFP1173
0/15,000 psi/kPa	PFP1074	-	PFP1087	PFP1174
0/20,000 psi/kPa	PFP1075	-	PFP1088	PFP1175

Other ranges and connection sizes available upon request. For scale change, refer to How to Order Guide for scale codes. **For options, attach suffix to end of order code:**

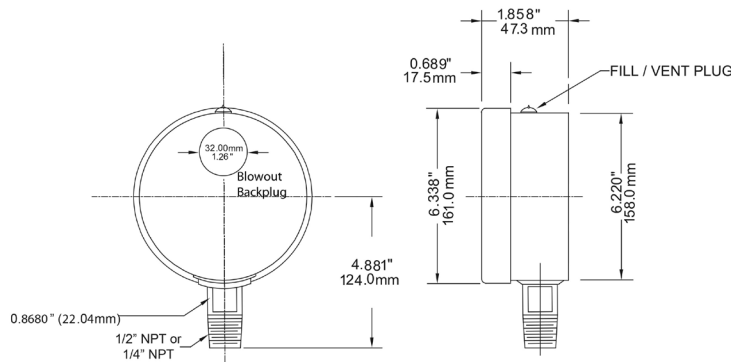
**i.e. PFP1064-SC for SAFETY CASE**

**Option suffix:**

- 6BF = 6" (150mm) Back flange
- 6FF = 6" (150mm) Front flange
- 6SS = 6" (150mm) SS case
- 6UC = 6" (150mm) U-Clamp
- DRY = Supply gauge dry
- EN = EN837-1 compliant
- RSP6 = 6" (150mm) Red set pointer
- SC = 6" (150mm) Safety case
- SF6 = 6" (150mm) Silicone fill
- SG-6 = 6" (150mm) Safety glass lens

For WinBRIGHT dial options refer to Custom Dials

### 6" Bottom Connection



### 6" Back Connection with Front Flange

