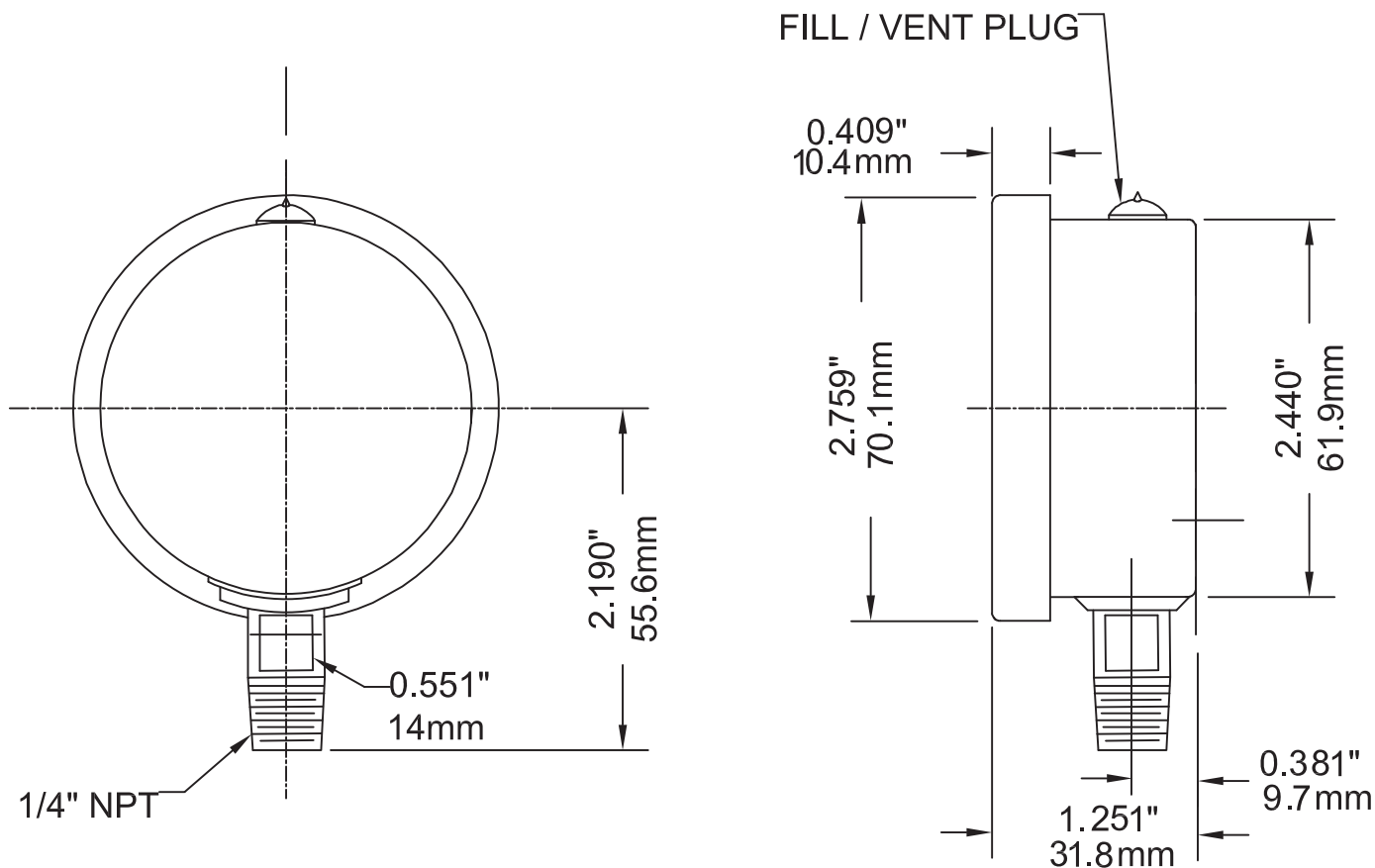


Case Material: AISI 304 stainless steel  
 Lens Material: Polycarbonate  
 Ring: 304 stainless steel, bayonet mount  
 Socket: 316L SS  
 Tube: 316L SS  
 Movement: Stainless steel  
 Accuracy:  $\pm 1.5\%$  of full scale value  
 Ambient Temp. Limits:  $-40^{\circ}\text{F}$  to  $250^{\circ}\text{F}$  ( $-40^{\circ}\text{C}$  to  $120^{\circ}\text{C}$ ) Dry;  
 $-4^{\circ}\text{F}$  to  $150^{\circ}\text{F}$  ( $-20^{\circ}\text{C}$  to  $65^{\circ}\text{C}$ ) Glycerin Filled  
 Process Temp. Limits:  $-40^{\circ}\text{F}$  to  $250^{\circ}\text{F}$  ( $-40^{\circ}\text{C}$  to  $120^{\circ}\text{C}$ )  
 Enclosure Rating: IP66



DRAWN BY: ROBIN LUGTU  
 ENG. APPROVAL: DR

ALL DIMENSIONS IN INCHES/MM

TOLERANCES (unless otherwise stated)	
Fractional:	$\frac{1}{64}''$ 0.4mm
Decimal:	0.06" 1.5mm

REVISION No AND DATE: #3 July. 04, 2017

TITLE:

2.5" PREMIUM GAUGE, BOTTOM CONNECTION,

DRAWING NO: PFP-25-T-S-A