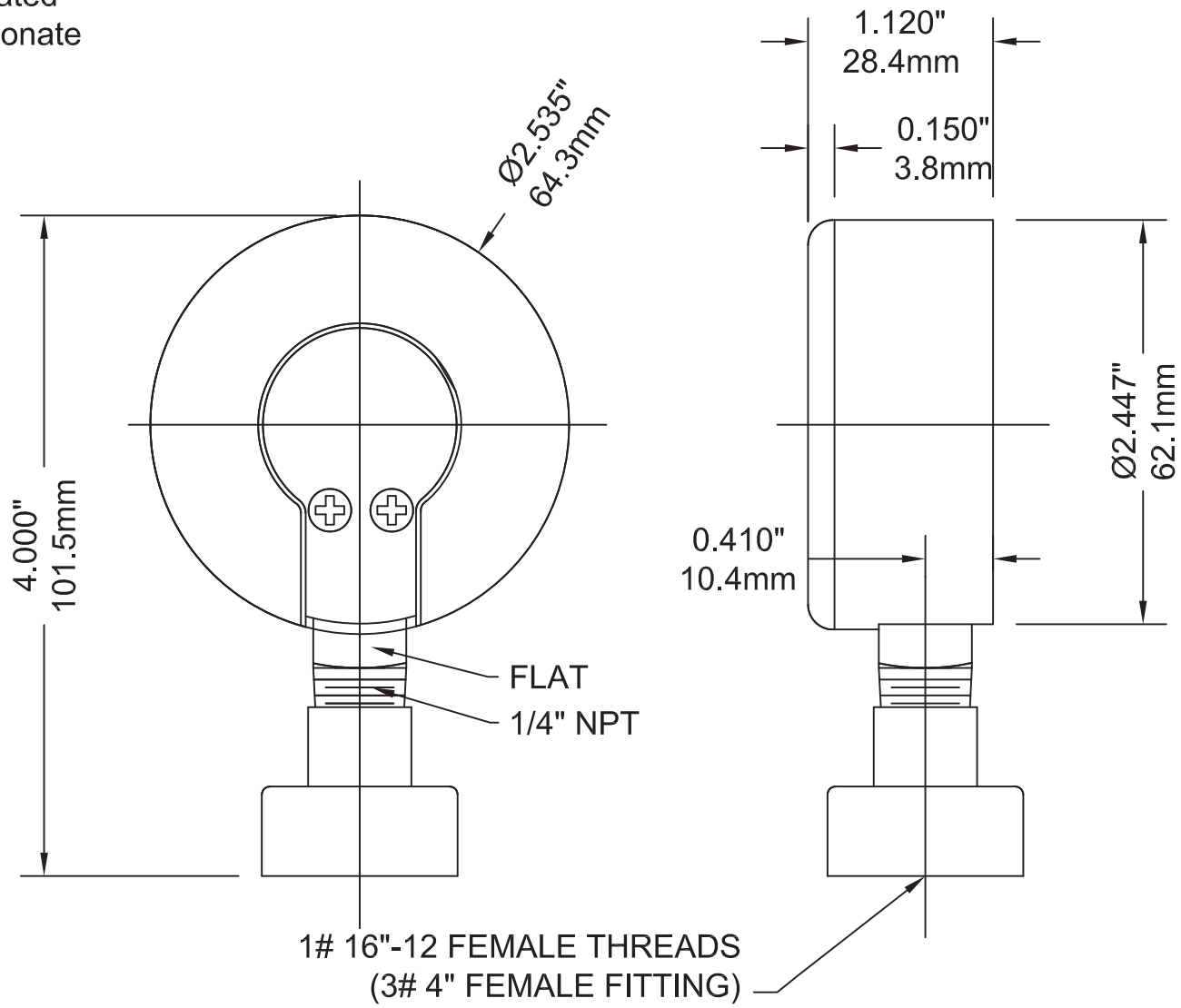


Ambient Temperature Limits: -40°F to 150°F (-40°C to 65°C)
 Process Temperature Limits: -40°F to 150°F (-40°C to 65°C)
 Case Material: Steel, painted black
 Bezel: Steel, chrome plated
 Lens Material: Polycarbonate
 Tube: Ph Bz
 Movement: Brass
 Socket: Brass
 Welding: Silver Alloy
 Accuracy: ±3-2-3%
 Enclosure: IP52



DRAWN BY: PHOEBE MA
 ENG. APPROVAL:

ALL DIMENSIONS IN INCHES/MM
 TOLERANCES
 (unless otherwise stated)
 Fractional: 1/64" 0.4mm
 Decimal: 0.06" 1.5mm
 REVISION DATE: Jan. 08, 2009

TITLE:
 2.5" ECONOMY SERIES WATER TEST GAUGE
 DRAWING NO: PET-25-Y-B-A