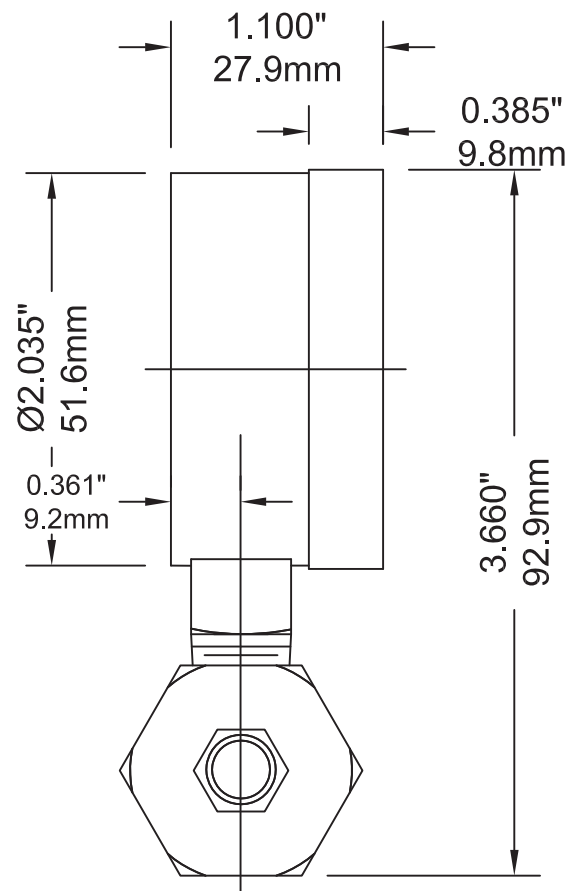
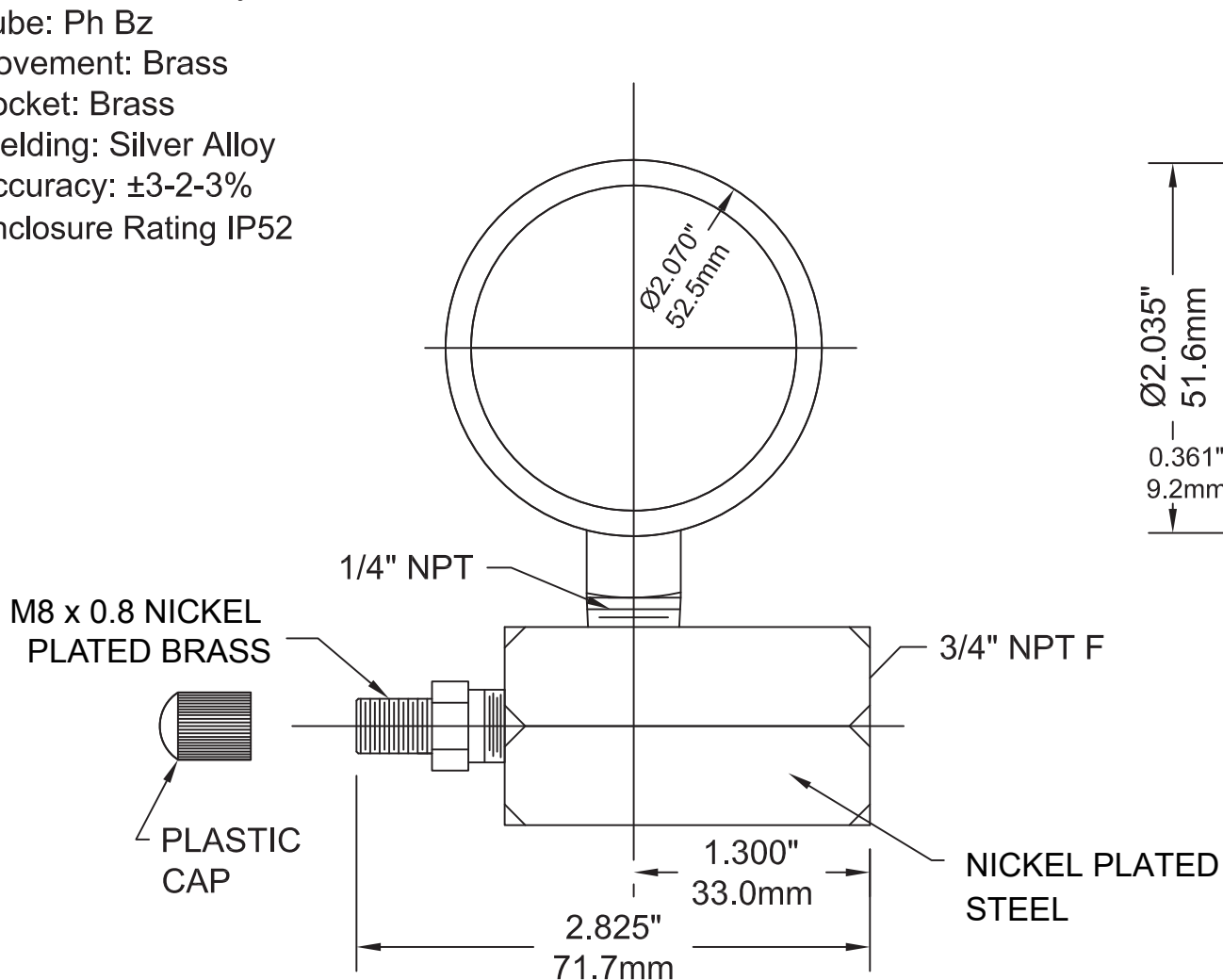


Ambient Temperature Limits: -40°F to 150°F (-40°C to 65°C)
 Process Temperature Limits: -40°F to 150°F (-40°C to 65°C)
 Case Material: Steel, painted black
 Bezel: Steel, painted black
 Lens Material: Polycarbonate
 Tube: Ph Bz
 Movement: Brass
 Socket: Brass
 Welding: Silver Alloy
 Accuracy: ±3-2-3%
 Enclosure Rating IP52



DRAWN BY: ROBIN LUGTU

ENG. APPROVAL: DR

ALL DIMENSIONS IN INCHES/MM

TOLERANCES
(unless otherwise stated)

Fractional: $\frac{1}{64}''$ 0.4mm

Decimal: 0.06" 1.5mm

REVISION DATE: #2, Nov. 10, 2017

TITLE:

2" ECONOMY SERIES GAS TEST GAUGE

DRAWING NO: PET-20-Y-B-A