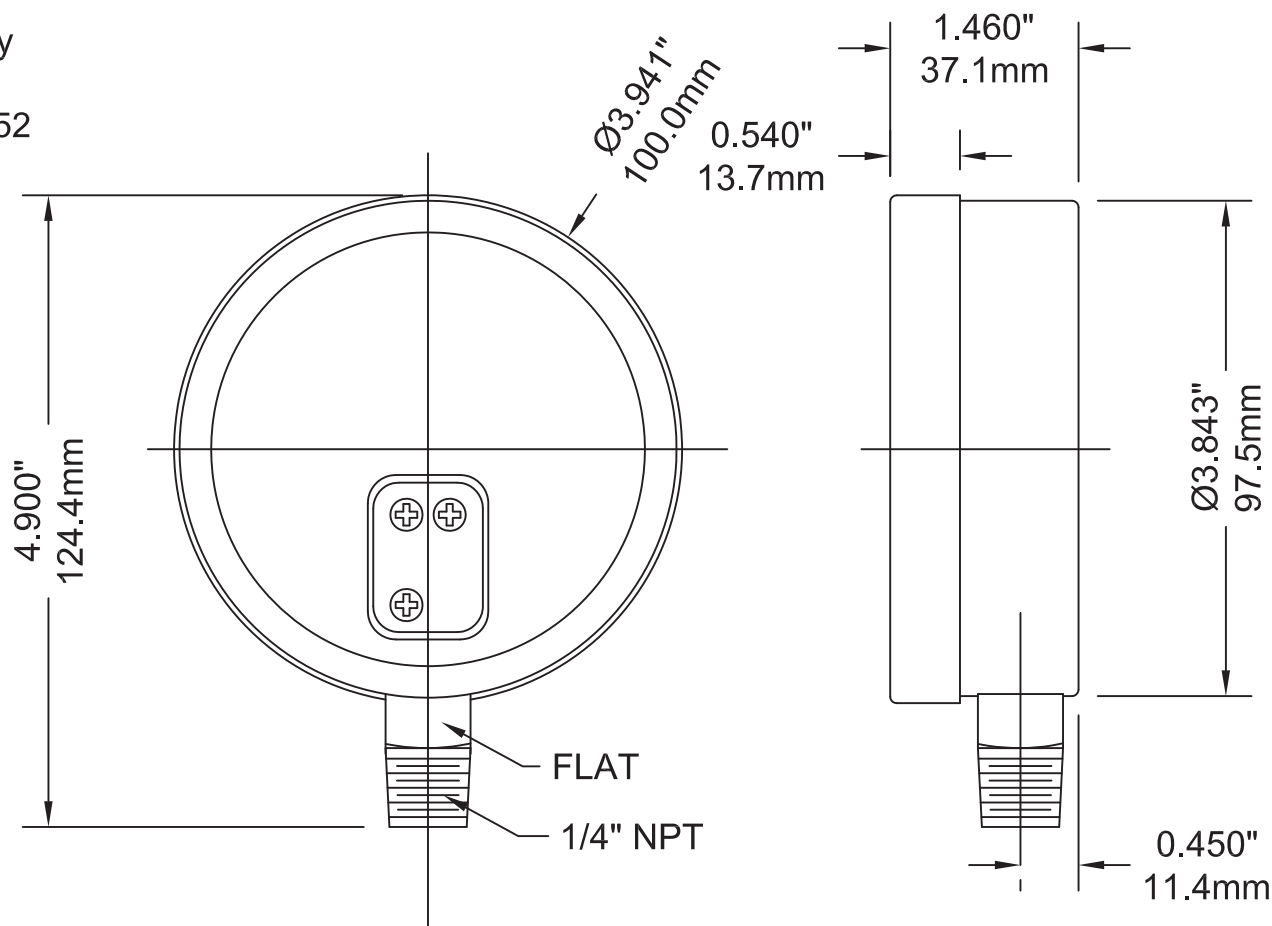


Ambient Temperature Limits: -40°F to 150°F (-40°C to 65°C)
 Process Temperature Limits: -40°F to 150°F (-40°C to 65°C)
 Case Material: Steel, painted black
 Bezel: Steel, chrome plated
 Lens Material: Glass
 Tube: Brass
 Movement: Brass
 Socket: Brass
 Welding: Silver Alloy
 Accuracy: ±3-2-3%
 Enclosure Rating IP52



DRAWN BY: PHOEBE MA

ENG. APPROVAL:

ALL DIMENSIONS IN INCHES/MM

TOLERANCES
(unless otherwise stated)

Fractional: 1/64" 0.4mm

Decimal: 0.06" 1.5mm

REVISION DATE: Jan. 08, 2009

TITLE:

4" ECONOMY GAUGE, BOTTOM CONNECTION

DRAWING NO: PEM-40-Y-B-A