

Case Material: Steel painted black

Lens Material: Acrylic

Ring: Steel, chrome plated

Socket: Brass

Tube: Phosphor bronze

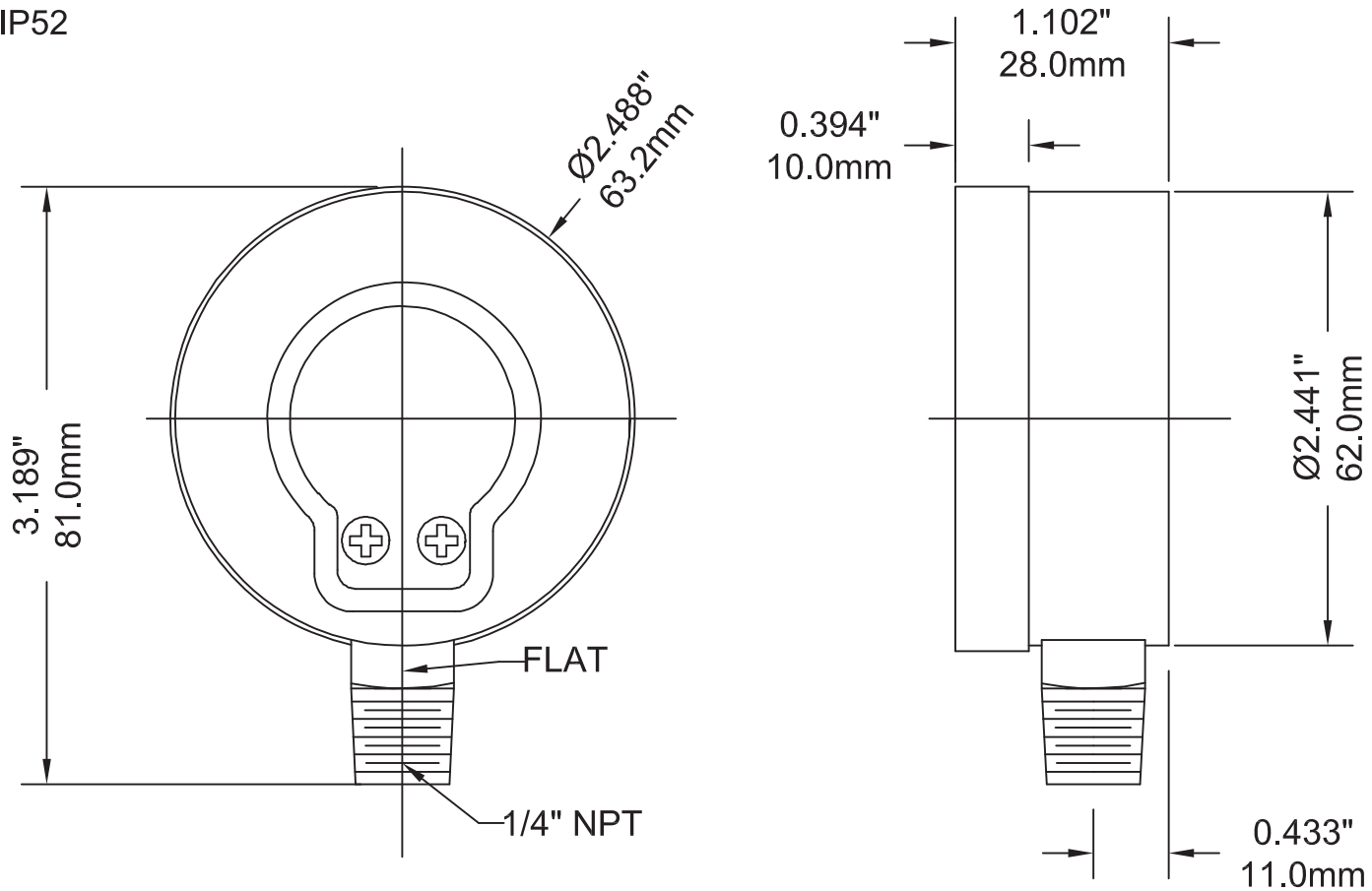
Movement: Brass

Accuracy: $\pm 3\%$ - 2% - 3%

Ambient Temperature Limits: -40°F to 150°F (-40°C to 65°C)

Process Temperature Limits: -40°F to 150°F (-40°C to 65°C)

Enclosure Rating IP52



DRAWN BY: ROBIN LUGTU

ENG. APPROVAL: DR

ALL DIMENSIONS IN INCHES/MM

TOLERANCES (unless otherwise stated)	
Fractional:	$\frac{1}{64}"$ 0.4mm
Decimal:	0.06" 1.5mm

REVISION DATE: #3, Jul. 23, 2014

TITLE:

2.5" ECONOMY GAUGE, BOTTOM CONNECTION

DRAWING NO: PEM-25-Y-B-A