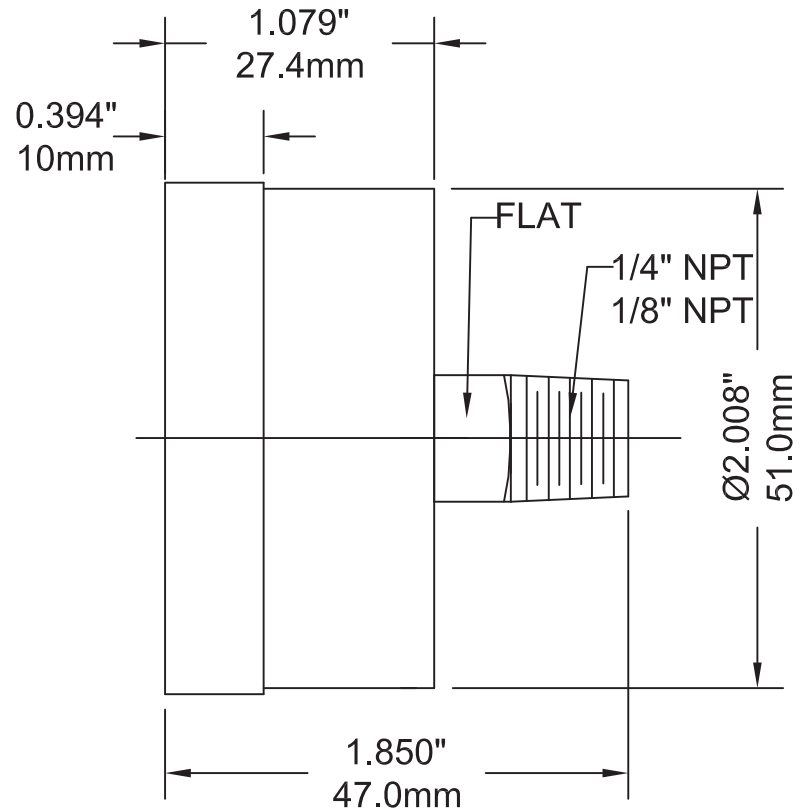
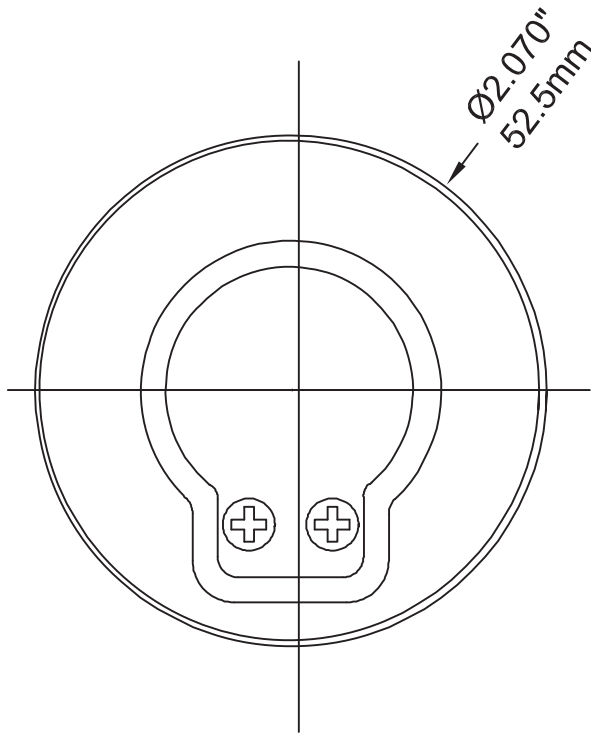


Case Material: Steel painted black
 Lens Material: Acrylic
 Ring: Steel, painted black
 Socket: Brass
 Tube: Phosphor bronze
 Movement: Brass
 Accuracy: $\pm 3\%$ - 2% - 3%
 Ambient Temperature Limits: -40°F to 150°F (-40°C to 65°C)
 Process Temperature Limits: -40°F to 150°F (-40°C to 65°C)
 Enclosure Rating IP52



DRAWN BY: ROBIN LUGTU
 ENG. APPROVAL: DR

ALL DIMENSIONS IN INCHES/MM

TOLERANCES (unless otherwise stated)	
Fractional:	$\frac{1}{64}"$ 0.4mm
Decimal:	0.06" 1.5mm

REVISION DATE: #2, Jul. 23, 2014

TITLE:

2" ECONOMY GAUGE, BACK CONNECTION

DRAWING NO: PEM-20-Y-B-D