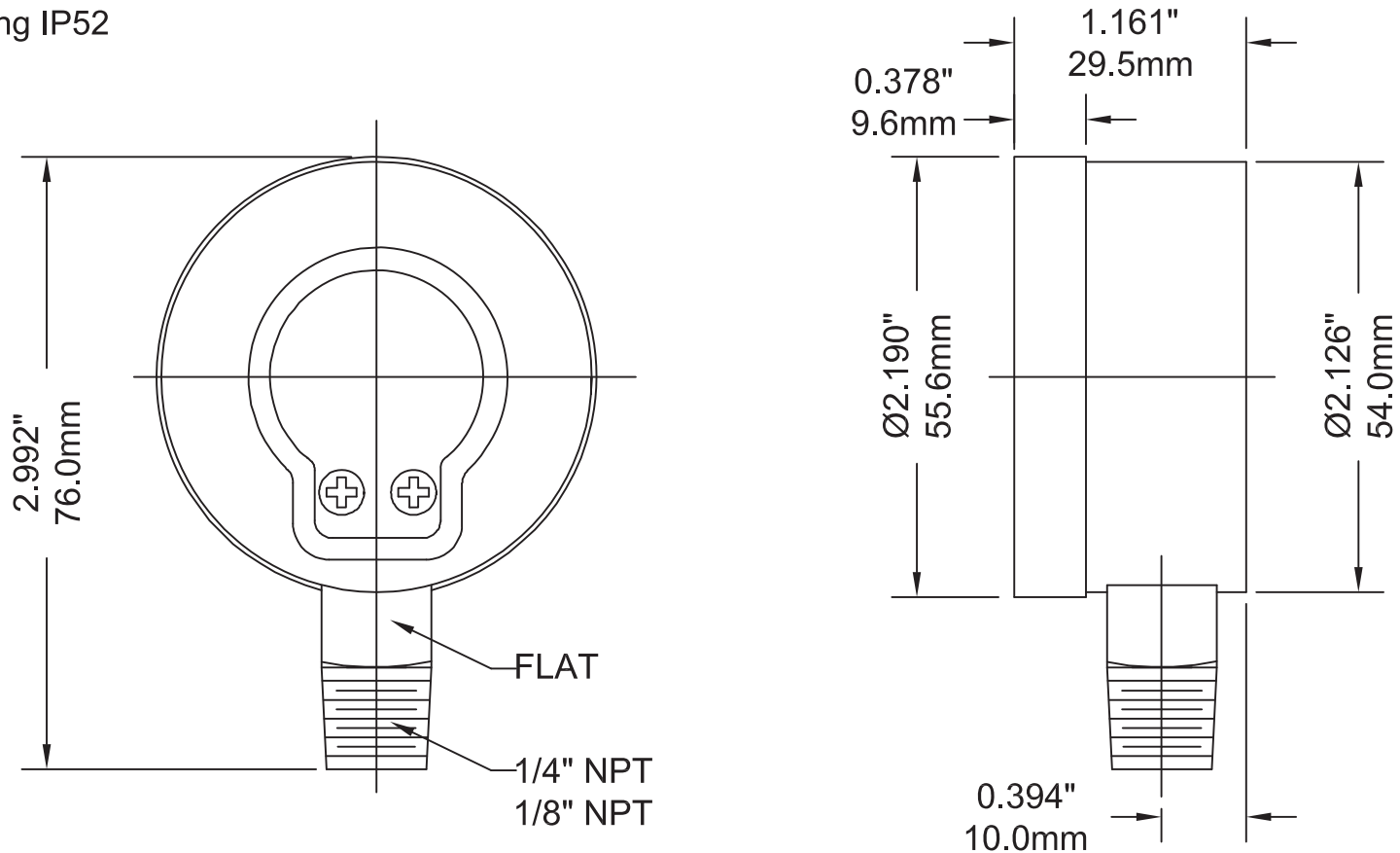


Case Material: Steel painted black  
 Lens Material: Acrylic  
 Ring: Steel, painted black  
 Socket: Brass  
 Tube: Phosphor bronze  
 Movement: Brass  
 Accuracy:  $\pm 3\%$ - $2\%$ - $3\%$   
 Ambient Temperature Limits:  $-40^{\circ}\text{F}$  to  $150^{\circ}\text{F}$  ( $-40^{\circ}\text{C}$  to  $65^{\circ}\text{C}$ )  
 Process Temperature Limits:  $-40^{\circ}\text{F}$  to  $150^{\circ}\text{F}$  ( $-40^{\circ}\text{C}$  to  $65^{\circ}\text{C}$ )  
 Enclosure Rating IP52



DRAWN BY: ROBIN LUGTU

ENG. APPROVAL: DR

ALL DIMENSIONS IN INCHES/MM

TOLERANCES (unless otherwise stated)	
Fractional:	$\frac{1}{64}''$ 0.4mm
Decimal:	0.06" 1.5mm

REVISION DATE: #2, Jul. 23, 2014

TITLE:

2" ECONOMY GAUGE, BOTTOM CONNECTION

DRAWING NO: PEM-20-Y-B-A