



Description & Features:

- Economical 4.5" (115mm) stainless steel case gauge
- ±1% accuracy
- Zero adjustment screw
- ¼" NPT
- CRN registered
- 5 year warranty

Applications:

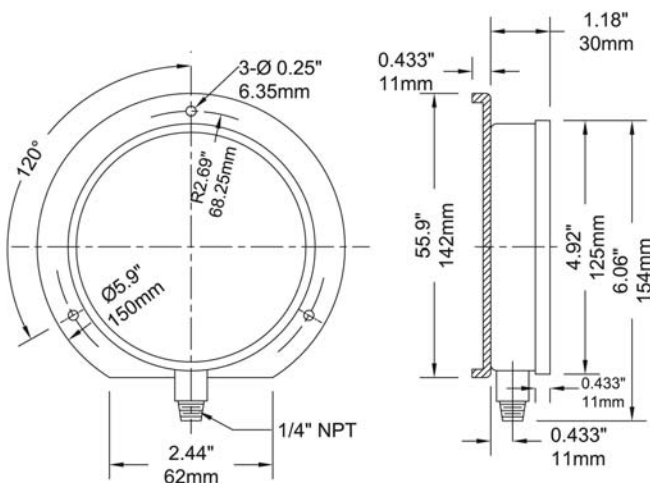
- Most commercial air, water and steam services that require a ±1% full-scale accuracy

Specifications

| | |
|------------------------------------|---|
| Dial | 4.5" (115mm) white aluminum dial with black and red markings |
| Case | 304 SS |
| Lens | Acrylic |
| Ring | 304 SS |
| Socket | Brass |
| Connection | ¼" NPT standard |
| Bourdon Tube | Phosphor bronze |
| Movement | Brass |
| Pointer | Aluminum, anodized black, recalibrator screw |
| Welding | Silver solder |
| Over-Pressure Limit | 25% for pressures up to 1,400 psi (9,653 kPa) 15% for pressures over 1,400 psi (9,653 kPa) |
| Working Pressure | Maximum 75% of full scale value |
| Ambient/Process Temperature | -40°F to 200°F (-40°C to 93°C) |
| Accuracy | ±1% ANSI/ASME Grade 1A |
| Enclosure Rating | IP52 |

Order Codes (products in bold are normally in stock)

| Connection | ¼" Bottom |
|-------------------|---------------|
| 30" Hg Vac/kPa | PCT320 |
| 30"/0/30 psi/kPa | PCT329 |
| 30"/0/60 psi/kPa | PCT330 |
| 30"/0/100 psi/kPa | PCT328 |
| 30"/0/160 psi/kPa | PCT332 |
| 30"/0/200 psi/kPa | PCT333 |
| 30"/0/300 psi/kPa | PCT334 |
| 0/15 psi/kPa | PCT319 |
| 0/30 psi/kPa | PCT321 |
| 0/60 psi/kPa | PCT322 |
| 0/100 psi/kPa | PCT323 |
| 0/160 psi/kPa | PCT324 |
| 0/200 psi/kPa | PCT325 |
| 0/300 psi/kPa | PCT326 |
| 0/400 psi/kPa | PCT327 |
| 0/600 psi/kPa | PCT331 |
| 0/1,000 psi/kPa | PCT293 |
| 0/3,000 psi/kPa | PCT294 |
| 0/5,000 psi/kPa | PCT295 |



Other ranges and connection sizes available upon request. For scale change, refer to How to Order Guide for scale codes. **For options, attach suffix to end of order code: i.e. PCT322-45QBF for BACK FLANGE.**

Option suffix:

45QBF = 4.5" (115mm) Back Flange