

WAYNE®

MODEL: FEAUP250, 1/4 HP

MULTI-USE PUMP

Auto On / Off Multi-Use Pump

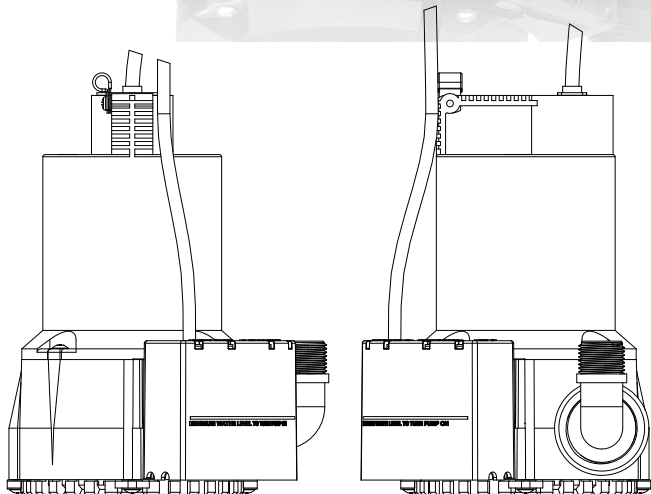
CONSTRUCTION

- Durable Thermoplastic Construction
- 1 1/4 in. Discharge With an Included 3/4 in. Garden Hose Adapter
- Integrated iSwitch® Comes Installed
- 8 ft. Power Cord

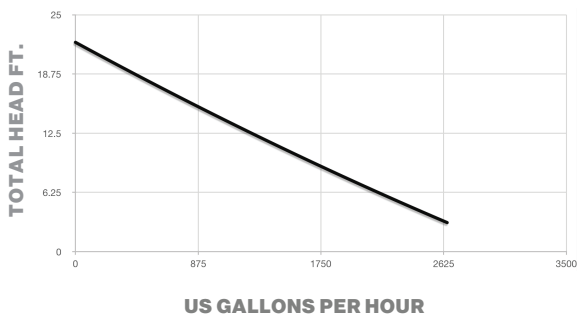
BENEFITS

- This pump is assembled in the USA to deliver dependable performance that lasts for years.
- Avoid the hassle of manually turning your pump on and off. The iSwitch® technology removes the water for you. Just set it and forget it.
- Makes removing water from anywhere easy- just use the convenient carrying handle to place the pump where you want it.
- Quality and Reliability. Warrantied.
- Pump Part # 57729-WYN1





● EEAUP250



AUTO ON / OFF MULTI-USE PUMP

MODEL: EEAUP250, 1/4 HP

PUMP SNAPSHOT

- **HP** - 1/4 HP
- **Construction** - Thermoplastic
- **Switch Type** - iSwitch®
- **Motor** - Oil-Free
- **Impeller** - Centrifugal
- **Intake** - Bottom Suction
- **Discharge** - 3/4 in. Hose Threads
- **Submersible** - Fully Submersible
- **UPC** - 40066214232

PUMP SPECIFICATIONS

- **Length** - 6 1/2 In.
- **Width** - 6 1/2 In.
- **Height** - 9 1/2 In.
- **Weight** - 11 Lbs.
- **Power Cord** - 8 Ft.

PERFORMANCE

- **EEAUP250** - 1/4 HP - Max Flow 3100 GPH: 2350 GPH @ 5ft.

FLOW RATE: GALLONS PER HOUR

EEAUP250 - 1/4 HP	GPH @ 5'	GPH @ 10'	GPH @ 15'	GPH @ 20'
Gal/Hr @0 Max Flow 3100	2350	1600	900	250

1 YEAR LIMITED WARRANTY

- Assembled in the USA with Foreign and Domestic Parts
- iSwitch® Technology for Auto On / Off Water Removal

