

WAYNE®

MODEL: CDU790SS, 1/3 HP | CDU800SS, 1/2 HP

SUMP PUMP

WAYNE Stainless Steel Sump Pump

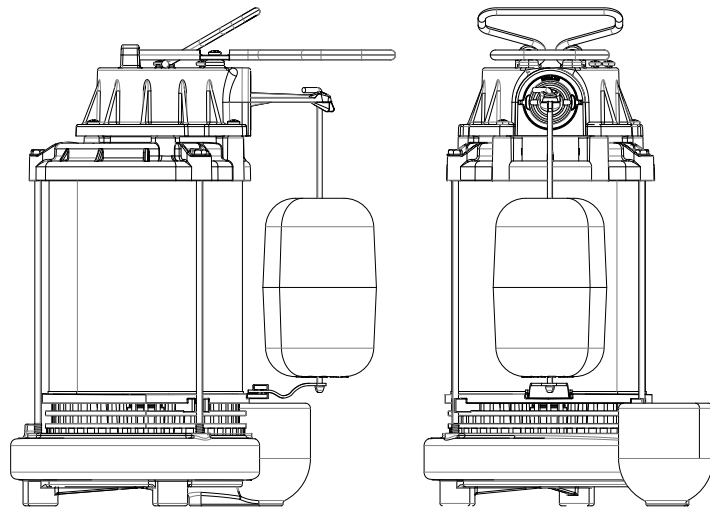
CONSTRUCTION

- Corrosion Resistant Stainless Steel Housing and Cast Iron Volute, With Stainless Steel Fasteners For Long Life in Tough Sump Applications
- Top Suction Design Eliminates Air Lock and Minimizes Clogging from Debris in the Bottom of the Sump Pit
- 1-1/2 in. NPT Discharge for Easy Installation and Compliance with Building Codes
- Reliable Thermoplastic Impeller for Maximum Water Flow
- For Use In 11 in. Diameter or Larger Sump Basins
- 8 ft. SJTW Power Cord

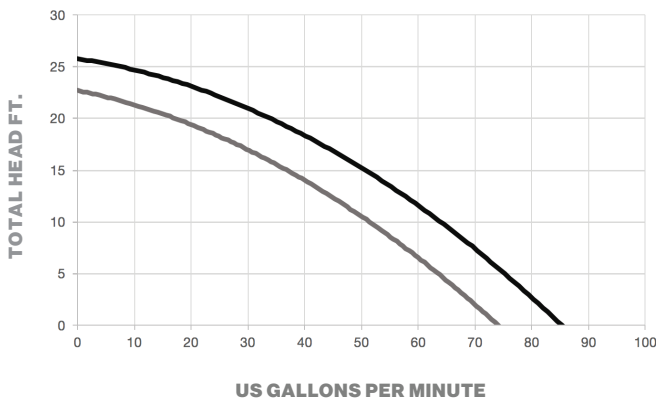
BENEFITS

- This pump is easy to install. Start to finish in about 15 minutes. No weep hole needed.
- This pump is assembled in the USA to deliver dependable performance that lasts for years.
- This pump delivers unsurpassed protection. The switch is tested 1,000,000 times, up to 10X times more than competitors.
- Quality and Reliability. Warrantied.
- CDU790SS: Pump Part # 57628-WYN1
- CDU800SS: Pump Part # 57629-WYN1





● CDU800SS ● CDU790SS



WAYNE STAINLESS STEEL SUMP PUMP

MODEL: CDU790SS, 1/3 HP | CDU800SS, 1/2 HP

PUMP SNAPSHOT

- **HP** - CDU790SS, 1/3 HP | CDU800SS, 1/2 HP
- **Construction** - Stainless Steel & Cast Iron Bottom
- **Switch Type** - Integrated Vertical Float Switch
- **Motor** - 120V PSC Oil-Filled
- **Impeller** - Centrifugal
- **Intake** - Top Suction
- **Discharge** - 1 1/2 In.
- **Submersible** - Fully Submersible
- **CDU790SS UPC** - 040066218896
- **CDU800SS UPC** - 040066218902

PUMP SPECIFICATIONS

- **Length** - 10 1/2 In.
- **Width** - 9 In.
- **Height** - 11 In.
- **Weight** - 22 Lbs.
- **Power Cord** - 8 Ft.

PERFORMANCE

- **CDU790SS** - 1/3 HP - Max Flow 77 GPM: 64 GPM @ 5'
- **CDU800SS** - 1/2 HP - Max Flow 85 GPM: 75 GPM @ 5'

FLOW RATE: GALLONS PER MINUTE

CDU790SS - 1/3 HP	GPM @ 5'	GPM @ 10'	GPM @ 15'	GPM @ 20'
Gal/Min @0 Max Flow 77	64	51	37	20
CDU800SS - 1/2 HP	GPM @ 5'	GPM @ 10'	GPM @ 15'	GPM @ 20'
Gal/Min @0 Max Flow 85	75	64	51	34

5 YEAR LIMITED WARRANTY

- Assembled in USA with Foreign and Domestic Parts
- 9 in. ON level. 4 in. OFF level.

