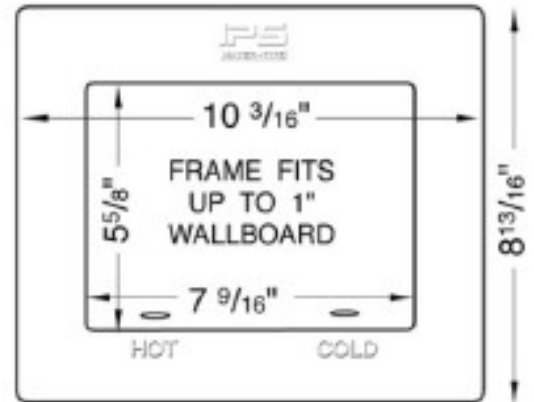
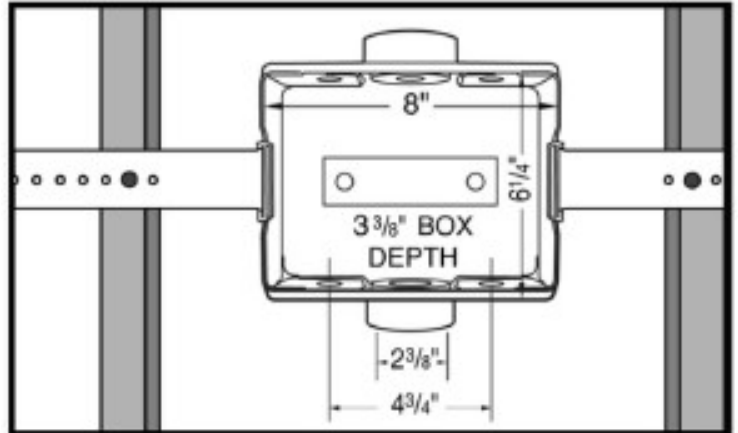
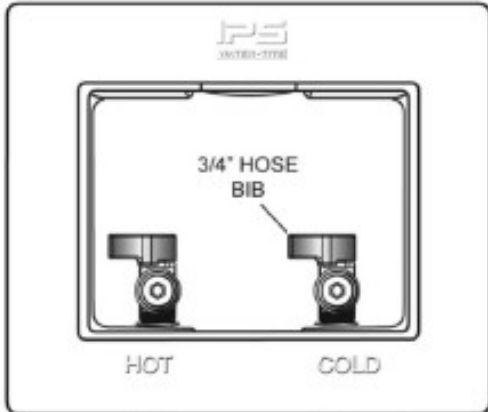




CENTER DRAIN WASHING MACHINE OUTLET BOX
with Quarter Turn Valves



Specifications:

Furnish and install Center Drain Washing Machine Outlet Box with quarter turn valves. Box may optionally be installed as top-mount unit. Unit shall be Water-Tite product code checked below, as manufactured by IPS Corporation. Valves comply with ASME A112.18.1

Product Code	Product Description	Model Number	Case/Qty
82064	Brass Qtr Turn Valves, Installed - 1/2" Sweat Conx.	W4700	10
82066	Brass Qtr Turn Valves, Installed - 1/2" CPVC Conx.	W4701	10
82068	Brass Qtr Turn Valves, Installed - 1/2" PEX Conx.	W4702	10
82072	Brass Qtr Turn Valves, Installed - 3/8" PEX Conx.	W4738	10
82003	Brass Qtr Turn Valves, Installed - 1/2" Wirsbo® Conx.	W4711	10
82308	Brass Qtr Turn Valves, Installed - 1/2" Viega Conx.	W4722	10
82752	Brass Qtr Turn Valves, Installed - REHAU EVERLOC+™ Conx.	W4705	10
87204	Washer Box Only - No Valves	W4012	10
CONTRACTOR PACK			
82065	Brass Qtr Turn Valves, Installed - 1/2" Sweat Conx.	W4700 CP	20
82067	Brass Qtr Turn Valves, Installed - 1/2" CPVC Conx.	W4701 CP	20
82069	Brass Qtr Turn Valves, Installed - 1/2" PEX Conx.	W4702 CP	20
82073	Brass Qtr Turn Valves, Installed - 3/8" PEX Conx.	W4738 CP	20
82004	Brass Qtr Turn Valves, Installed - 1/2" Wirsbo® Conx.	W4711 CP	20
82753	Brass Qtr Turn Valves, Installed - REHAU EVERLOC+™ Conx.	W4705 CP	20

