

CAST STAINLESS & ALLOY CHECK VALVES

Warren Valve’s line of Cast Stainless Steel & Alloy Check Valves are offered in classes 150, 300, 600, 900, and 1500. For oil and gas refineries and petrochemical plants, Warren’s stainless steel valves are an economical and quality choice.

Warren Valves are subject to rigorous quality inspections.

Our comprehensive evaluation includes on-site audits, inspection at the source, receiving inspections, and destructive material testing. Mill test reports are always available.



PRODUCT OVERVIEW

SIZE RANGE	1/2”-36”
MATERIAL GRADES	CF8M, CF8, CF3M, 317, CN7M, C-276 (CW12MV), Duplex, Super Duplex, 321SS, 347SS, INCOLYS
TRIM MATERIALS	Trim 10, 12, 16, & Special Materials
END CONFIGURATIONS	Raised Face & RTJ
OPTIONS	Trim Modifications
FEATURES	NACE Compliant, Teflon or Graphite Gasket (Low Fugitive Emission) <i>* Also available in our WA Series 2”-12”</i>

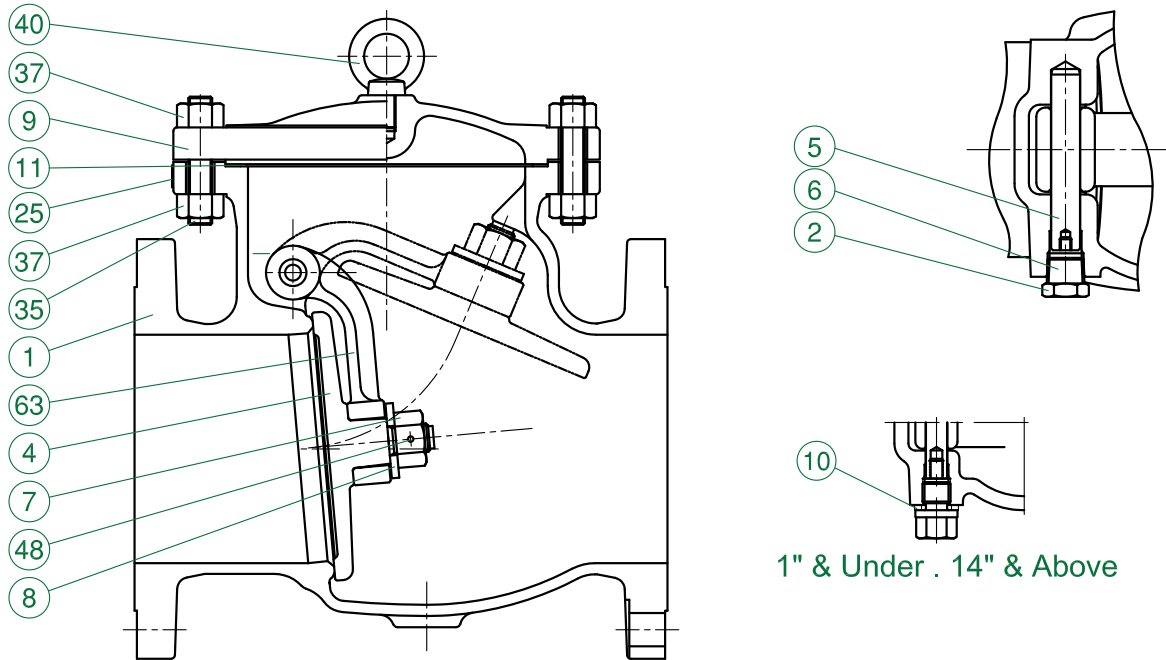
CLASS	FIGURE NUMBER
150#	3156
300#	3306
600#	3606
900#	3906
1500#	3506

GENERAL DESIGN FEATURES	
Testing	598 Hydro 1
Pressure Temperature Rating	ANSI B16.34
Face-to-Face Dimensions	ANSI B16.10
End Flange Dimensions	ANSI B16.512
Visual Inspection of Castings	MSS-SP-55

¹ Every Warren Valve is 100% pressure tested according to 598 test requirements. MTRs are available upon request.

² Valves 26” and larger according to ANSI B16.47 Series A (MSS SP-44) and Series B

ANSI CLASS 150 - 300 - 600 - 900 - 1500



MATERIAL LIST

NO.	NAME OF PARTS	MATERIALS
1	BODY	ASTM A351 Gr.CF8M
2	PLUG	ASTM A276 Gr.316
4	DISC	ASTM A351 Gr.CF8M (1 1/2" & ABOVE)
		ASTM A276 Gr.316 (1" & UNDER)
5	HINGE PIN	ASTM A276 Gr.316
6	PLUG TAPE	PTFE.
7	DISC NUT	ASTM A194 Gr.8MA
8	DISC WASHER	ASTM A276 Gr.316
9	COVER	ASTM A351 Gr.CF8M
10	SEAL GASKET	ASTM A276 Gr.316 (1" & UNDER)
		S.S SPIRAL WOUND+PTFE / GRAPHITE (14" & ABOVE)
11	GASKET	PTFE / GRAPHITE
25	NAMEPLATE	ASTM A666 Gr.304
35	COVER STUD	ASTM A193 Gr.B8MA (10" & UNDER)
		ASTM A193 Gr.B8M CLASS 2 (12" & ABOVE)
37	COVER NUT	ASTM A194 Gr.8MA (10" & UNDER)
		ASTM A194 Gr.8M (12" & ABOVE)
40	EYE BOLT	ASTM A36+Zn PLATE (5" & ABOVE)
48	PIN	ASTM A276 Gr.316
63	SWING ARM	ASTM A351 Gr.CF8M

OTHER BODY AND TRIM MATERIALS AVAILABLE.

Please contact Warren Valve or your Warren Valve representative for more details.

ANSI CLASS 150 - 300 - 600 - 900 - 1500

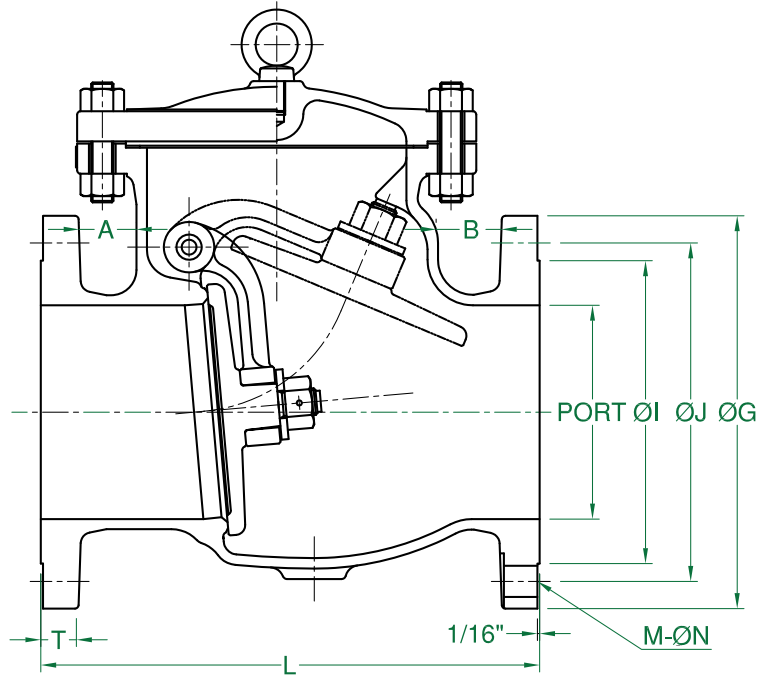


FIGURE NUMBER 3156

SIZE	PORT	L	φG	φJ	φI	T	M	φN
1/2"	0.59	4.25	3.50	2.38	1.38	0.38	4	0.62
3/4"	0.75	4.62	3.88	2.75	1.69	0.04	4	0.62
1"	1.00	5.00	4.25	3.12	2.00	0.44	4	0.62
1-1/4"	1.26	5.50	4.62	3.50	2.50	0.50	4	0.62
1-1/2"	1.50	6.50	5.00	3.88	2.88	0.56	4	0.62
2"	2.00	8.00	6.00	4.75	3.62	0.62	4	0.75
2-1/2"	2.50	8.50	7.00	5.50	4.12	0.69	4	0.75
3"	3.11	9.50	7.50	6.00	5.00	0.75	4	0.75
4"	4.00	11.50	9.00	7.50	6.19	0.94	8	0.75
5"	5.00	13.00	10.00	8.50	7.31	0.94	8	0.88
6"	6.00	14.00	11.00	9.50	8.50	1.00	8	0.88
8"	8.00	19.50	13.50	11.75	10.62	1.12	8	0.88
10"	10.00	24.50	16.00	14.25	12.75	1.19	12	1.00
12"	12.00	27.50	19.00	17.00	15.00	1.25	12	1.00
14"	13.25	31.00	21.00	18.75	16.25	1.38	12	1.12
16"	15.25	34.00	23.50	21.25	18.50	1.44	16	1.12
18"	17.25	38.50	25.00	22.75	21.00	1.56	16	1.25
20"	19.25	38.50	27.50	25.00	23.00	1.69	20	1.25
24"	23.25	51.00	32.00	29.50	27.25	1.88	20	1.38

ANSI CLASS 150 - 300 - 600 - 900 - 1500

FIGURE NUMBER 3306

SIZE	PORT	L	φG	φJ	φI	T	M	φN
1/2"	0.59	6.00	3.75	2.62	1.38	0.56	4	0.62
3/4"	0.75	7.00	4.62	3.25	1.69	0.62	4	0.75
1"	1.00	8.50	4.80	3.50	2.00	0.69	4	0.75
1-1/2"	1.50	9.50	6.12	4.50	2.88	0.81	4	0.88
2"	2.00	10.50	6.50	5.00	3.62	0.88	8	0.75
2-1/2"	2.50	11.50	7.50	5.88	4.12	1.00	8	0.88
3"	3.11	12.50	8.25	6.62	5.00	1.12	8	0.88
4"	4.00	14.00	10.00	7.88	6.19	1.25	8	0.88
6"	6.00	17.50	12.50	10.62	8.50	1.44	12	0.88
8"	8.00	21.00	15.00	13.00	10.62	1.62	12	1.00
10"	10.00	24.50	17.50	15.25	12.75	1.88	16	1.12
12"	12.00	28.00	20.50	17.75	15.00	2.00	16	1.25

FIGURE NUMBER 3606

SIZE	PORT	L	φG	φJ	φI	T	M	φN
2"	2.00	10.50	6.50	5.00	3.62	0.89	8	0.75
2-1/2"	2.50	11.50	7.50	5.88	4.12	1.00	8	0.88
3"	3.00	12.50	8.25	6.62	5.00	1.12	8	0.88
4"	4.00	14.00	10.00	7.88	6.19	1.25	8	0.88
6"	6.00	17.50	12.50	10.62	8.50	1.46	12	0.88
8"	8.00	21.00	15.00	13.00	10.62	1.63	12	1.00
10"	10.00	24.50	17.50	15.25	12.75	1.87	16	1.12
12"	12.00	28.00	20.50	17.75	15.00	2.00	16	1.25

FIGURE NUMBER 3906

SIZE	PORT	L	φG	φJ	φI	T	M	φN
2"	1.87	14.50	8.50	6.50	3.62	1.50	8	1.00
2-1/2"	2.25	16.50	9.60	7.50	4.13	1.63	8	1.13
3"	2.87	15.00	9.50	7.50	5.00	1.50	8	1.00
4"	3.87	18.00	11.50	9.25	6.19	1.77	8	1.25
6"	5.75	24.00	15.00	12.50	8.50	2.20	12	1.25
8"	7.50	29.00	18.50	15.50	10.63	2.50	12	1.50
10"	9.37	33.00	21.50	18.50	12.75	2.76	16	1.50
12"	11.12	38.00	24.00	21.00	15.00	3.13	20	1.50

FIGURE NUMBER 3506

SIZE	PORT	L	φG	φJ	φI	T	M	φN
2"	1.87	14.50	8.50	6.50	3.62	1.50	8	1.00
2-1/2"	2.25	16.50	9.60	7.50	4.13	1.63	8	1.13
3"	2.75	18.50	10.50	8.00	5.00	1.89	8	1.25
4"	3.62	21.50	12.25	9.50	6.19	2.13	8	1.38
6"	5.37	27.75	15.50	12.50	8.50	3.25	12	1.50
8"	7.00	33.75	19.00	15.50	10.63	3.62	12	1.75
10"	8.75	39.00	23.00	19.00	12.75	4.25	12	2.00
12"	10.37	44.50	26.50	22.50	15.00	4.88	16	2.13