

Submittal Package

Viega MegaPress®G Fittings



Project _____ **Date** _____

Engineer _____ **Contractor** _____

Submitted by _____

Approved by _____ **Date** _____ **Approved by** _____ **Date** _____

Table of Contents

- Heating Fuel Oil
- Natural Gas
- Compressed Air
- Lubricants/Oils
- Industrial Gases
- Vacuum

- 1 System Data Sheet** _____ **3**
 MegaPressG Fittings _____ 3
- 2 Product Instructions** _____ **4**
 MegaPressG ½" to 2" Fittings _____ 4
 MegaPressG 2½" to 4" Fittings _____ 5
- 3 Engineering Specifications** _____ **6**
 MegaPressG Natural Fuel Gas Systems _____ 6
- 4 Dimensional Documents** _____ **10**
 MegaPress ½" to 4" Fittings _____ 10
- 5 Limited Warranty** _____ **22**
 Viega MegaPressG _____ 22
 Viega Metal Systems for Industrial Applications _____ 23



This document is subject to updates. For the most current Viega technical literature please visit www.viega.us.



Viega products must be installed by trained installers. MegaPress credential training is provided at no cost by Viega and is recommended every two years. Please contact Viega to arrange credential training onsite or at our training facility. **Installation by non-professionals may void Viega LLC’s warranty.**

1 System Data Sheet

MegaPressG Fittings



Viega MegaPressG is a carbon steel, cold press fitting system designed for use in fuel gas systems and applications with a high oil content. MegaPressG fittings in sizes from ½" to 4" are offered in numerous configurations.

Components

- Alloy: carbon steel with corrosion-resistant zinc/nickel coating
- HNBR sealing element
- 420 stainless steel grip ring
- 304 stainless steel separator ring for ½" to 2" fittings
- Graphite separator ring for 2½" to 4" fittings

Operating Parameters

- Operating Pressure: 125 psi max for fuel gas applications
200 psi max for other approved applications
- Test Pressure: 600 psi max
- Operating Temperatures: -40 to 180°F

Approved Piping

- Fuel gas applications: ASTM A53 Schedule 10 to Schedule 40 carbon steel pipe
- Non-fuel gas applications: ASTM A53, A106, A135, and A795 Schedule 5 to Schedule 40 carbon steel pipe. Schedule 80 pipe may be used but operating pressures are limited to Viega Approved Applications guide.



Adopted code versions, standards compliance, and local approvals should be considered for selecting pipe schedule and type.

Listings and Certifications

- ASTM F3226
- ASME B31.1, B31.3, B31.9
- CRN 23019.5 A/B/C
- CSA: ANSI LC 4a/CSA 6.32a
- IAPMO: ANSI LC 4a/CSA 6.32a
- ICC-ES: ANSI LC 4a/CSA 6.32a

Compliant With

- CAN/CSA-B149.1
- IAPMO National Standard Plumbing Code (NSPC)
- IAPMO Uniform Mechanical Code (UMC)
- IAPMO Uniform Plumbing Code (UPC)
- ICC International Fuel Gas Code (IFGC)
- ICC International Residential Code (IRC)
- NFPA 54/Z223: National Fuel Gas Code
- NFPA 58: Liquefied Petroleum Gas Code

Approved Applications

- Natural gas
- Propane gas
- Lubricants/oils
- Compressed air
- Industrial gases
- Vacuum

For more specific information on applications for MegaPressG, contact Viega Technical Services at 1-800-976-9819.

Viega MegaPressG systems are approved for underground use and must be protected against corrosion in accordance with NFPA 54 section 404.8, NACE Standard RP0169-2002 section 5, 2009 UPC Chapter 6 section 609.3.1, 2009 UMC Chapter 13 section 1312.1.3, and in accordance with local and national codes.

Recommended Tools

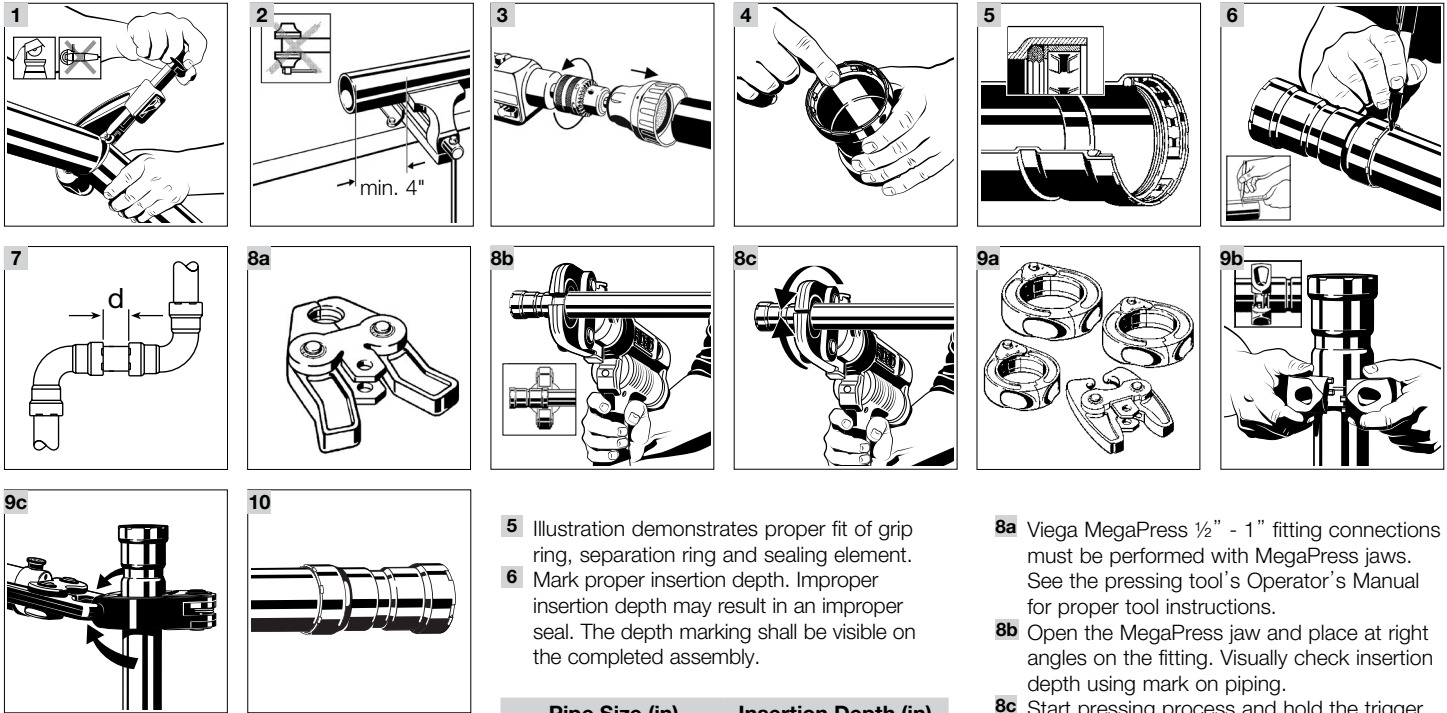
- Standard size press tool (minimum hydraulic ram output of 7200 lbs.)
- #56013 MegaPress jaw/ring kit (½" to 2")
- #26200 MegaPress XL PressBooster with 2½" press ring
- #26201 MegaPress XL 3" and 4" press ring kit
- #57081 Z3 Actuator with 2½" ring (must be used with press gun with minimum 80mm press stroke)

Smart Connect® Technology

Viega MegaPressG fittings are manufactured with Viega's unique Smart Connect technology. A design of the fitting, Viega Smart Connect technology allows identification of an unpressed fitting during pressure testing.

2 Product Instructions

MegaPressG ½" to 2" Fittings



Caution!
The fittings are for use with fuel gases and are intended for the operating pressure 0-125 psi.

Caution!
The fuel gas system shall not be used as a grounding electrode for an electrical system.

- 1 Cut piping at right angles using displacement type cutter.
- 2 Keep end of piping a minimum of 4" away from the contact area of the vise to prevent possible damage to the piping in the press area. See the *MegaPress Installation Manual* for minimum clearance required for prep tools.
- 3 Remove burr from inside and outside of piping and prep to proper insertion depth using a preparation tool or fine grit sandpaper.
- 4 Check seal and grip ring for correct fit. Do not use oils or lubricants.

- 5 Illustration demonstrates proper fit of grip ring, separation ring and sealing element.
- 6 Mark proper insertion depth. Improper insertion depth may result in an improper seal. The depth marking shall be visible on the completed assembly.

Pipe Size (in)	Insertion Depth (in)
½	1 1/16
¾	1 3/16
1	1 3/8
1 ¼	1 13/16
1 ½	1 7/8
2	2

- 7 Refer to chart for minimum distance between fittings. To ensure a correct press, a minimum distance between press fittings must be maintained. Failure to provide this distance may result in an improper seal.

Pipe Diameter (in)	d (in)	d (mm)
½	¼	6
¾	¼	6
1	¼	6
1 ¼	½	13
1 ½	½	13
2	½	13

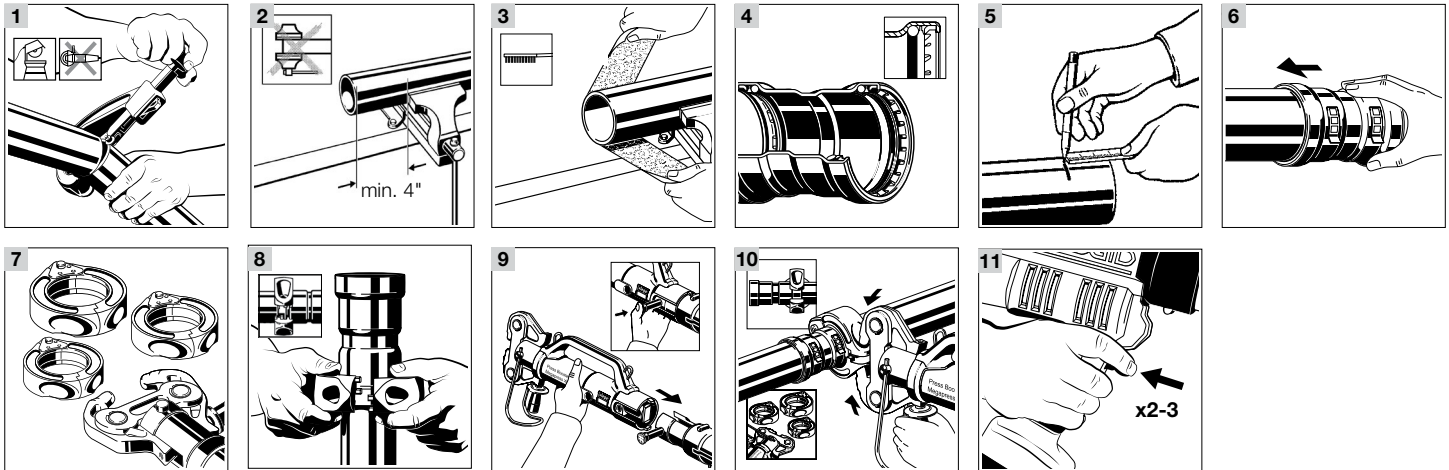
Warning!
Keep extremities and foreign objects away from press tool during pressing operation to prevent injury or incomplete press.

- 8a Viega MegaPress ½" - 1" fitting connections must be performed with MegaPress jaws. See the pressing tool's Operator's Manual for proper tool instructions.
- 8b Open the MegaPress jaw and place at right angles on the fitting. Visually check insertion depth using mark on piping.
- 8c Start pressing process and hold the trigger until the jaw has engaged the fitting.
- 9a Viega MegaPress 1 ¼" - 2" fitting connections must be performed with MegaPress rings and V2 actuator. See the pressing tool's Operator's Manual for proper tool instructions.
- 9b Open MegaPress ring and place at right angles on the fitting. MegaPress ring must be engaged on the fitting bead. Check insertion depth.
- 9c Place V2 actuator onto MegaPress ring and start pressing process. Hold the trigger until the actuator has engaged the MegaPress ring.
- 10 Remove MegaPress jaw from fitting or release V2 actuator from the MegaPress ring and then remove the MegaPress ring from the fitting on completion of press. Remove control label to indicate press has been completed.

i The installation, inspection, testing and purging of the fuel gas system shall be in accordance with local codes or, in the absence of local codes, in accordance with the International Fuel Gas Code, NFPA 54/National Fuel Gas Code z223.1, the Uniform Plumbing Code, NFPA 58 or CSA B 149.1 as applicable.

Product Instructions

MegaPressG 2½" to 4" Fittings



Caution!
The fittings are for use with fuel gases and are intended for the operating pressure 0-125 psi.

Caution!
The fuel gas system shall not be used as a grounding electrode for an electrical system.

- 1 Cut piping at right angles using displacement type cutter.
- 2 Keep end of piping a minimum of 4" away from the contact area of the vise to prevent possible damage to the piping in the press area. See *MegaPress Installation Manual* for minimum clearance required for prep tools.
- 3 Remove burr from inside and outside of piping and prep to proper insertion depth using a preparation tool or fine grit sandpaper.
- 4 Illustration demonstrates proper fit of grip ring, separation ring and sealing element.

Caution!
Due to the brittle nature of the graphite separator ring, extra care must be taken when sliding the fitting onto the pipe so as not to damage the separator ring.

- 5 Mark proper insertion depth. Improper insertion depth may result in an improper seal. The depth marking shall be visible on the completed assembly.

Insertion Depth (in)	d (in)	d (mm)
2½	1 ¹³ / ₁₆	46
3	2 ⁵ / ₁₆	59
4	3 ¹ / ₈	80

- 6 While turning slightly, slide fitting onto tubing to the marked depth. End of tubing must contact stop.

Warning!
Keep extremities and foreign objects away from press tool during pressing operation to prevent injury or incomplete press.

- 7 Viega MegaPressG 2½" to 4" fitting connections must be made using MegaPress XL rings and a PressBooster/Z3 actuator. See Operator's Manual for proper tool instructions.
- 8 Open MegaPress ring and place at right angles on the fitting. MegaPress ring must be engaged on the fitting bead. Check insertion depth.

- 9 Remove the retaining bolt of the press machine. Slide the PressBooster in via the press jaw fixture.
- 10 Place PressBooster/Z3 actuator onto MegaPress XL rings and start pressing process. Hold the trigger until the actuator has engaged the MegaPress ring.
- 11 The PressBooster requires two presses of the trigger to execute a complete press. A third press may be needed to initiate a release cycle to reset the rollers back to the original position.

i Info: The installation, inspection, testing and purging of the fuel gas system shall be in accordance with local codes or, in the absence of local codes, in accordance with the International Fuel Gas Code, NFPA 54/National Fuel Gas Code z223.1, the Uniform Plumbing Code, NFPA 58 or CSA B 149.1 as applicable.

3 Engineering Specifications

MegaPressG Natural Fuel Gas Systems

Part 1: General

1.1 Summary

MegaPressG is a cold press mechanical joint fitting system made for use with ASTM A53 carbon steel pipe in natural gas applications.

1.2 Definitions

ASME: American Society of Mechanical Engineers

ASTM: American Society for Testing and Materials

CSA: Canadian Standards Association

HNBR: Hydrogenated Nitrile Butadiene Rubber

FM: Factory Mutual

IACS: International Association of Classification Societies

IAPMO: International Association of Plumbing & Mechanical Officials

ICC: International Code Council

MSS: Manufacturers Standardization Society

NACE International: National Association of Corrosion Engineers

NFPA: National Fire Protection Association

UL: Underwriters Laboratory

1.3 References

ANSI LC-4/CSA 6.32 Press-connect Metallic Fittings for use in Fuel Gas Distribution Systems

ASME A13.1 Scheme for the Identification of Piping Systems

ASME B1.20.1 Pipe Threads, General Purpose (inch)

ASME B16.3 Malleable Iron Threaded Fittings

ASME B16.9 Factory Made Wrought Steel Butt-welding Fittings

ASME B31.1 Power Piping

ASME B31.3 Process Piping

ASME B31.9 Building Piping Systems

ASME B36.10 Welded and Seamless Wrought Steel Pipe

ASTM A135 Specification for Electric-Resistance-Welded Steel Pipe

ASTM A420 Piping Fittings of Wrought Carbon Steel and Alloy Steel for Low Temperature Service

ASTM A53 Specification for Pipe, Steel, Black and Hot-Dipped, Zinc-Coated, Welded and Seamless Pipe

ASTM D2000 Classification System for Rubber Products in Automotive Applications

ASTM F1476 Performance of Gasketed Mechanical Couplings for Use in Piping Applications

ASTM F3226 Standard Specification for Metallic Press-Connect Fittings for Piping and Tubing Systems

IAPMO Uniform Mechanical Code

IAPMO Uniform Plumbing Code

ICC International Plumbing Code

NACE RP 0169 control of External Corrosion on Underground or Submerged Metallic Piping Systems

NFPA 54 National Fuel Gas Code

MSS-SP58 Pipe Hangers and Supports Materials, Design and Manufacturer

1.4 Quality Assurance

A. Installer shall be qualified, licensed within the jurisdiction, and familiar with the installation of cold press mechanical joint systems.

B. MegaPressG press fittings shall be installed using the proper tool, actuator, jaws and rings as instructed by the press fitting manufacturer.

- C. The installation of carbon steel pipe in natural gas systems shall conform to the requirements of the IAPMO Uniform Plumbing Code or National Fuel Gas Code.
- D. Compliance to ASME B31.9 for building services piping valves.

1.5 Delivery, Storage and Handling

- A. Carbon steel pipe shall be shipped to the jobsite in such a manner to protect the pipe. The pipe and fittings shall not be roughly handled during shipment. Pipe and fittings shall be unloaded with reasonable care.
- B. Protect the stored product from moisture and dirt. Elevate above grade. When stored inside, do not exceed the structural capacity of the floor.
- C. Protect fittings and piping specialties from moisture and dirt.

1.6 Project Conditions

Verify length of pipe required by field measurements.

1.7 Warranty

- A. Viega LLC (Viega) warrants to end users, installers and distribution houses that its Viega metal press products (MegaPressG) when properly installed shall be free from failure caused by manufacturing defects. Refer to Viega warranties for specific information.
- B. Viega LLC (Viega) manufacturer of the fittings shall not be responsible for the improper use, handling or installation of the product.

Part 2: Products

2.1 Manufacturer

Viega LLC
 585 Interlocken Blvd.
 Broomfield CO, 80021
 Phone: (800) 976-9819
 www.viega.us

2.2 Pipe and Fittings

- A. Pipe: Carbon steel pipe shall conform to ASTM A53. Pipe schedule (pipe wall thickness) shall conform to the standard referenced dimensions for Schedule 10 or Schedule 40. Adopted code versions, standards compliance, and local approvals should be considered.
- B. Fittings: Cold Press Mechanical Joint Fitting shall conform to material requirements of ASTM A420 or ASME B16.3 and performance criteria ANSI LC-4/CSA 6.32. Sealing elements for press fittings shall be HNBR. Sealing elements shall be factory installed or an alternative supplied by fitting manufacturer. Press ends shall have SC (Smart Connect™) technology design (leakage path). MegaPress fittings with Smart Connect technology assure leakage of liquids and/or gases from inside the system past the sealing element of an un-pressed connection. The function of this feature is to provide the installer quick and easy identification of connections which have not been pressed prior to putting the system into operation.
- C. Note: Verify pipe and fittings with applicable codes.
- D. Piping and fittings shall comply with ANSI LC-4/CSA 6.32 and the latest edition of NFPA-54.
- E. Fittings shall comply to the requirements of ASTM F3226.

2.3 Valves

- A. Valves shall conform to the performance criteria ANSI LC-4/CSA 6.32.
- B. Metallic Valves, shall comply with ASME B16.33.

2.4 Gas Safety Shut-Off Valves

Gas safety shut-off valves shall be FM & UL listed, with a visual indicator to note the position of the valve whether "OPEN" or "SHUT"

2.5 Pressure Regulators

- A. Pressure regulators shall be FM & UL listed for gas service and the gas system pressure rating.
- B. Service Pressure Regulators shall comply with ANSI Z21.80.
- C. Pressure regulators shall be equipped with an approved elevation compensator.

2.6 Cathodic Protection

Provide a complete electrically isolated, cathodic protection system for entire length of underground gas line, including all components, suitable for temperatures and pressures involved.

Part 3: Execution

3.1 Examination

- A. Examine roughing-in for natural-gas piping system to verify actual locations of piping connections before equipment installation.
- B. Proceed with installation only after unsatisfactory conditions have been corrected.

3.2 Preparation

- A. Close equipment shutoff valves before turning off natural gas to premises or piping section.
- B. Inspect natural-gas piping according to NFPA 54 Fuel Gas Code to determine that natural-gas utilization devices are turned off in piping section affected.
- C. Comply with NFPA 54 Fuel Gas Code requirements for prevention of accidental ignition.

3.3 Installation

- A. Install piping free from traps and with drain pocket consisting of nipple and cap at low points for inside building and drip pot for underground piping.
- B. Install shut-off valves at connection to each piece of equipment. Provide union of equipment side of individual shut-off valve.
- C. Install gas meter in a well ventilated and accessible location. Gas meter room (3 hr. rated enclosure) with explosion-proof fixtures.

3.4 Outdoor Piping Installation

- A. Comply with NFPA 54 Fuel Gas Code for installation and purging of natural-gas piping.
- B. Install underground, natural-gas piping to comply with NFPA-54 and local codes.
- C. Install fittings for changes in direction and branch connections.

3.5 Piping Installation

- A. Comply with NFPA 54 Fuel Gas Code for installation and purging of natural-gas piping.
- B. Locate valves for easy access.
- C. Install piping free of sags and bends.
- D. Install fittings for changes in direction and branch connections.

3.6 Fire-Barrier Penetrations:

Maintain indicated fire rating of walls, partitions, ceilings, and floors at pipe penetrations. Seal pipe penetrations with approved fire-stop materials.

3.7 Drips and Sediment Traps:

- A. Install drips at points where condensate may collect, including service-meter outlets. Locate where accessible to permit cleaning and emptying. Do not install where condensate is subject to freezing.
- B. Construct drips and sediment traps using tee fitting with bottom outlet plugged or capped.
- C. Do not use natural-gas piping as grounding electrode.
- D. Install strainer on inlet of each line-pressure regulator and automatic or electrically operated valve.

3.8 Service-Meter Assembly Installation

- A. Install service-meter assemblies above ground.
- B. Install metal shutoff valves upstream from service regulators.
- C. Install strainer on inlet of service-pressure regulator and meter set.
- D. Install service regulators mounted outside with vent outlet horizontal or facing down. Install screen in vent outlet if not integral with service regulator.
- E. Install metal shutoff valves upstream from service meters. Install dielectric fittings downstream from service meters.
- F. Install service meters downstream from pressure regulators.

3.9 Valve Installation

- A. Install manual gas shutoff valve for each gas appliance as required by local codes.
- B. Install underground valves with valve boxes.
- C. Install regulators and overpressure protection devices with maintenance access space adequate for servicing and testing.
- D. Install earthquake valves above ground outside buildings according to local codes.

3.10 Piping Joint Construction

- A. Ream ends of pipes and tubes and remove burrs.
- B. Remove scale, slag, dirt, and debris from inside and outside of pipe and fittings before assembly.

3.11 Hanger and Support Installation

- A. Hangers and hanger spacing shall conform to MSS-SP58: Pipe Hangers and Supports Materials, Design and Manufacturer
- B. Install seismic restraints on piping as required by local codes.

3.12 Connections

- A. Connect to utility's gas main according to utility's procedures and requirements.
- B. Install natural-gas piping electrically continuous, and bonded to gas appliance equipment grounding conductor of the circuit powering the appliance according to NFPA 70.
- C. Install piping adjacent to appliances to allow service and maintenance of appliances.
- D. Connect piping to appliances using manual gas shutoff valves and unions. Install union between valve and appliances or equipment as required by local codes.
- E. Sediment Traps: Install tee fitting with capped nipple in bottom to form drip, as close as practical to inlet of each appliance.

3.13 Labeling and Identifying

- A. Comply with requirements of NFPA-54 and ASME A13.1 for piping and valve identification.
- B. Underground piping shall have detectable warning tape directly above gas piping, including under pavements and slabs and protected from corrosion in accordance with NACE RP 0169.

3.14 Painting

- A. Comply with requirements for painting interior and exterior natural-gas piping.
- B. Paint exposed, exterior metal piping, valves, service regulators, service meters and meter bars, earthquake valves, and piping specialties, except components, with factory-applied paint or protective coating.

3.15 Field Quality Control

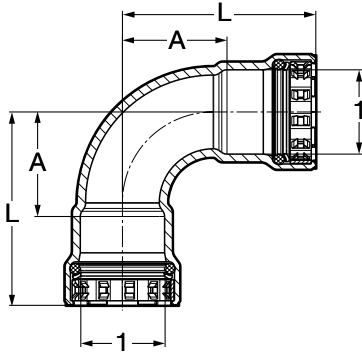
Tests and Inspections:

- A. Test, inspect, and purge natural gas according to NFPA 54 and authorities having jurisdiction.
- B. Purge all piping after pressure test and all appliances after piping has been purged.
- C. Prepare test and inspection reports.

4 Dimensional Documents

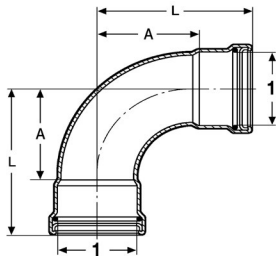
MegaPress ½" to 4" Fittings

MegaPress 90° Elbow, Carbon Steel, P x P - Models 4816 / 5916 / 6616



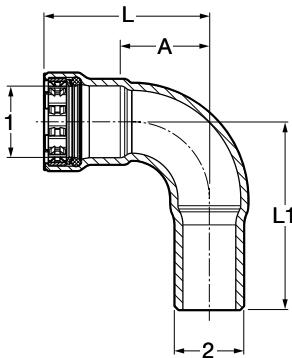
EPDM	Part No.		Size (in)	A (in)	L (in)
	FKM	HNBR			
25200	84305	25201	½	1.17	2.24
25205	84310	25206	¾	1.36	2.52
25210	84315	25211	1	1.72	3.07
25215	84320	25216	1¼	2.00	3.82
25220	84325	25221	1½	2.26	4.13
25225	84330	25226	2	2.80	4.78

Viega MegaPress 90° Elbow P x P - Models 4816XL / 6616XL



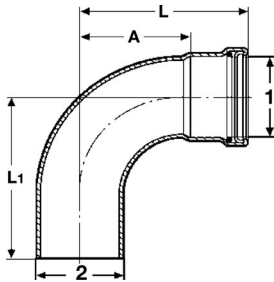
FKM	Part No.		Size (in)	A (in)	L (in)
	HNBR				
26500	28600		2½	4.15	5.94
26505	28605		3	4.76	7.09
26510	28610		4	6.00	9.17

MegaPress 90° Elbow, Carbon Steel, P x FTG - Models 4816.1 / 5916.1 / 6616.1



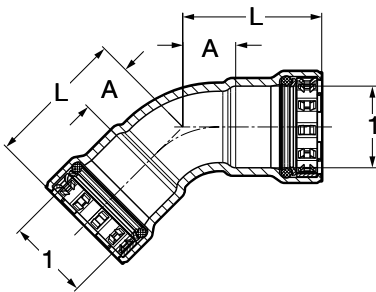
EPDM	Part No.		Size (in)		A (in)	L (in)	L1 (in)
	FKM	HNBR	1	2			
26050	84875	26051	½ x ½		1.17	2.24	2.56
26055	84880	26056	¾ x ¾		1.36	2.52	2.87
26060	84885	26061	1 x 1		1.72	3.07	3.39
26065	84890	26066	1¼ x 1¼		2.00	3.82	4.04
26070	84895	26071	1½ x 1½		2.26	4.13	4.21
26075	84900	26076	2 x 2		2.80	4.78	5.08

Viega MegaPress 90° Street Elbow P x FTG - Models 4816.1XL / 6616.1XL



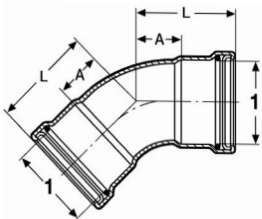
Part No.		Size (in)		A (in)	L (in)	L1 (in)
FKM	HNBR	1	2			
26515	28615	2½ x 2½		4.15	5.94	6.06
26520	28620	3 x 3		4.76	7.09	6.81
26525	28625	4 x 4		6.00	9.17	8.78

MegaPress 45° Elbow, Carbon Steel, P x P - Models 4826 / 5926 / 6626



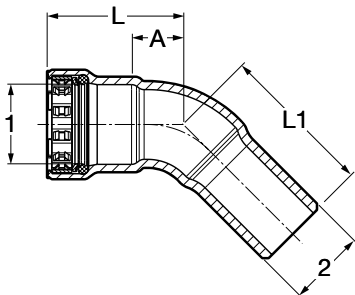
Part No.		Size (in)		A (in)	L (in)
EPDM	FKM	HNBR	1		
25230	84335	25231	½	0.60	1.67
25235	84340	25236	¾	0.71	1.87
25240	84345	25241	1	0.86	2.20
25245	84350	25246	1¼	0.98	2.80
25250	84355	25251	1½	1.12	2.99
25255	84360	25256	2	1.32	3.31

Viega MegaPress 45° Elbow P x P - Models 4826XL / 6626XL

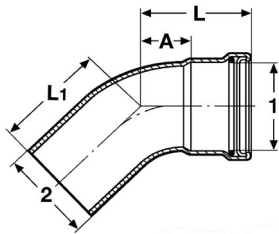


Part No.		Size (in)		A (in)	L (in)
FKM	HNBR	1			
26530	28630	2½		2.10	3.90
26535	28635	3		2.26	4.56
26540	28640	4		2.74	5.92

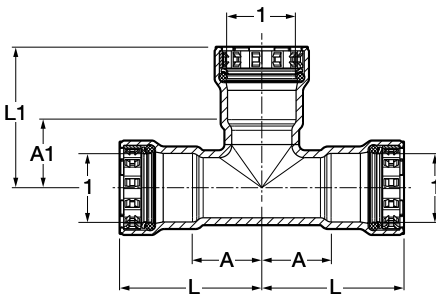
MegaPress 45° Elbow, Carbon Steel, P x FTG - Models 4826.1 / 5926.1 / 6626.1



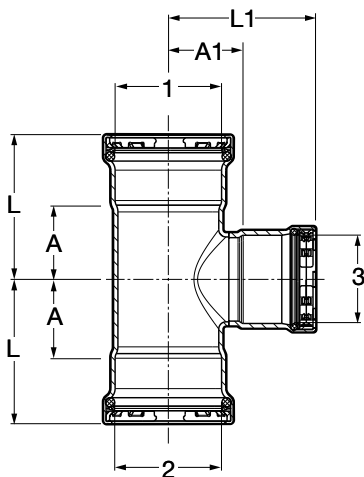
Part No.		Size (in)		A (in)	L (in)	L1 (in)
EPDM	FKM	HNBR	1 2			
26100	84905	26101	½ x ½	0.60	1.67	1.97
26105	84910	26106	¾ x ¾	0.71	1.87	2.13
26110	84915	26111	1 x 1	0.86	2.20	2.52
26115	84920	26116	1¼ x 1¼	0.98	2.80	2.99
26120	84925	26121	1½ x 1½	1.12	2.99	3.07
26125	84930	26126	2 x 2	1.32	3.31	3.58

Viega MegaPress 45° Street Elbow P x FTG - Models 4826.1XL /6626.1XL


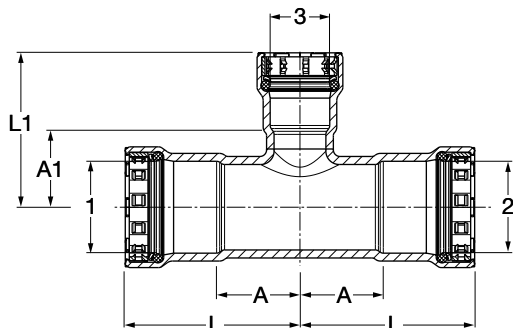
Part No.		Size (in)		A (in)	L (in)	L1 (in)
FKM	HNBR	1	2			
26545	28645	2½	2½	2.10	3.90	3.95
26550	28650	3	3	2.26	4.56	4.34
26555	28655	4	4	2.74	5.92	5.62

MegaPress Tee, Carbon Steel, P x P x P - Models 4818 / 5918 / 6618


Part No.			Size (in)	A (in)	A1 (in)	L (in)	L1 (in)
EPDM	FKM	HNBR	1				
25300	84365	25301	½	0.97	0.93	2.04	2.00
25305	84370	25306	¾	1.11	1.09	2.26	2.24
25310	84375	25311	1	1.23	1.23	2.57	2.57
25315	84395	25316	1¼	1.41	1.38	3.23	3.20
25320	84400	25321	1½	1.57	1.54	3.44	3.41
25325	84405	25326	2	1.81	1.80	3.80	3.79

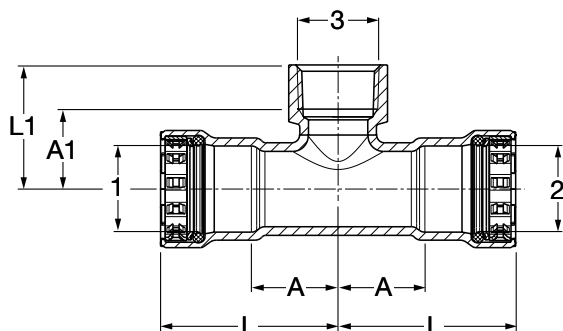
Viega MegaPress Tee P x P x P - Models 4818XL / 6618XL


Part No.		Size (in)			A (in)	A1 (in)	L (in)	L1 (in)
FKM	HNBR	1	2	3				
NA	28910	2½	2½	1	1.35	2.04	3.15	3.38
NA	28905	2½	2½	1¼	1.72	2.06	3.52	3.87
26575	28675	2½	2½	1½	1.72	2.08	3.52	3.95
26580	28680	2½	2½	2	2.16	2.05	3.96	4.04
26560	28660	2½	2½	2½	2.16	2.26	3.96	4.06
26595	28695	3	3	1¼	1.70	2.31	4.04	4.13
26590	28690	3	3	1½	1.80	2.33	4.13	4.20
26585	28685	3	3	2	2.11	2.30	4.41	4.29
26600	28700	3	3	2½	2.32	2.51	4.63	4.31
26565	28665	3	3	3	2.55	2.52	4.88	4.82
26605	28705	4	4	1½	1.86	2.90	5.04	4.77
26610	28710	4	4	2	2.18	2.87	5.35	4.86
26615	28715	4	4	2½	2.40	3.08	5.55	4.88
26620	28720	4	4	3	2.66	3.13	5.81	5.43
26570	28670	4	4	4	3.22	3.08	6.40	6.26

MegaPress Reducing Tee, Carbon Steel, P x P x P - Models 4818 / 5918 / 6618


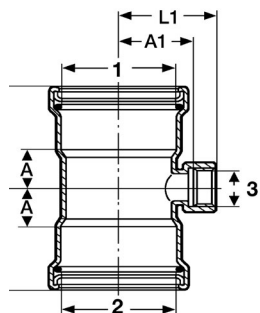
EPDM	Part No.		Size (in)			A (in)	A1 (in)	L (in)	L1 (in)
	FKM	HNBR	1	2	3				
25330	84410	25331	¾	¾	½	1.11	1.07	2.26	2.14
25335	84415	25336	1	1	½	1.23	1.20	2.57	2.28
25340	84420	25341	1	1	¾	1.23	1.24	2.57	2.40
25510	84380	25491	1¼	1¼	½	1.41	1.35	3.23	2.42
25515	84385	25496	1¼	1¼	¾	1.41	1.39	3.23	2.55
25350	84390	25351	1¼	1¼	1	1.41	1.38	3.23	2.73
25360	84425	25361	1½	1½	½	1.57	1.44	3.44	2.51
25365	84430	25366	1½	1½	¾	1.57	1.48	3.44	2.64
25370	84435	25371	1½	1½	1	1.57	1.48	3.44	2.83
25375	84440	25376	1½	1½	1¼	1.57	1.50	3.44	3.32
25380	84445	25381	2	2	½	1.81	1.74	3.80	2.81
25385	84450	25386	2	2	¾	1.81	1.80	3.80	2.95
25390	84455	25391	2	2	1	1.81	1.75	3.80	3.10
25395	84460	25396	2	2	1¼	1.81	1.78	3.80	3.60
25400	84465	25401	2	2	1½	1.81	1.84	3.80	3.71

MegaPress Reducing Tee, Carbon Steel, P x P x FPT - Models 4817.2 / 5917.2 / 6617.2



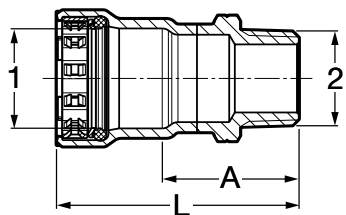
EPDM	Part No.		Size (in)			A (in)	A1 (in)	L (in)	L1 (in)
	FKM	HNBR	1	2	3				
25405	84545	25406	3/4	3/4	1/2	1.11	1.02	2.26	1.55
25480	84550	25481	3/4	3/4	3/4	1.11	1.03	2.26	1.58
25410	84555	25411	1	1	1/2	1.23	1.19	2.57	1.73
25415	84560	25416	1	1	3/4	1.23	1.18	2.57	1.73
25485	84575	25486	1 1/4	1 1/4	1/2	1.41	1.31	3.23	1.85
25505	84570	25506	1 1/4	1 1/4	3/4	1.41	1.33	3.23	1.89
25500	84565	25501	1 1/4	1 1/4	1	1.41	1.37	3.23	2.03
25435	84580	25436	1 1/2	1 1/2	1/2	1.57	1.42	3.44	1.95
25440	84585	25441	1 1/2	1 1/2	3/4	1.57	1.41	3.44	1.97
25445	84590	25446	1 1/2	1 1/2	1	1.57	1.57	3.44	2.24
25450	NA	25451	1 1/2	1 1/2	1 1/4	1.57	1.47	3.44	2.15
25455	84595	25456	2	2	1/2	1.81	1.70	3.80	2.24
25460	84600	25461	2	2	3/4	1.81	1.72	3.80	2.28
25465	84605	25466	2	2	1	1.81	1.89	3.80	2.55
25470	NA	25471	2	2	1 1/4	1.81	1.77	3.80	2.45
25475	NA	25476	2	2	1 1/2	1.81	1.73	3.80	2.41

Viega MegaPress Tee P x P x FPT - Models 4817.2XL / 6617.2XL



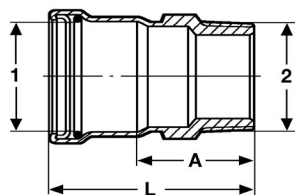
Part No.		Size (in)			A (in)	A1 (in)	L (in)	L1 (in)
FKM	HNBR	1	2	3				
26625	28725	2 1/2	2 1/2	3/4	1.35	2.00	3.15	2.55
26630	28730	3	3	3/4	1.44	2.24	3.74	2.80
26635	28735	4	4	3/4	1.55	2.76	4.72	3.31

MegaPress Adapter, Carbon Steel, P x MPT - Models 4811 / 5911 / 6611



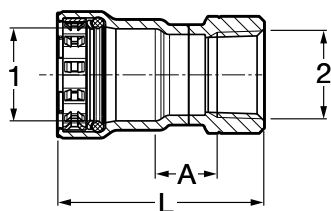
EPDM	Part No.		Size (in)		A (in)	L (in)
	FKM	HNBR	1	2		
25100	84245	25101	1/2	1/2	1.45	2.52
25105	84250	25106	3/4	3/4	1.50	2.66
25110	84255	25111	1	1	1.66	3.00
25115	84260	25116	1 1/4	1 1/4	1.90	3.70
25120	84265	25121	1 1/2	1 1/2	1.93	3.80
25125	84270	25126	2	2	1.93	3.92

Viega MegaPress Adapter P x MPT - Models 4811XL / 6611XL



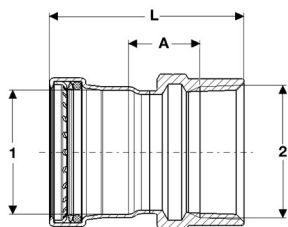
FKM	Part No.		Size (in)		A (in)	L (in)
	HNBR		1	2		
26640	28740		2 1/2	2 1/2	2.75	4.55
26645	28745		3	3	2.89	5.20
26650	28750		4	4	3.03	6.21

MegaPress Adapter, Carbon Steel, P x FPT - Models 4812 / 5912 / 6612



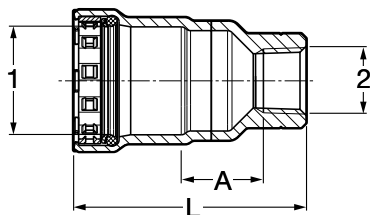
EPDM	Part No.		Size (in)		A (in)	L (in)
	FKM	HNBR	1	2		
25130	84275	25131	1/2	1/2	0.69	2.29
25135	84280	25136	3/4	3/4	0.74	2.45
25140	84285	25141	1	1	0.73	2.74
25145	84290	25146	1 1/4	1 1/4	0.77	3.27
25150	84295	25151	1 1/2	1 1/2	0.72	3.28
25155	84300	25156	2	2	0.76	3.44

Viega MegaPress Adapter P x FPT - Models 4812XL / 6612XL



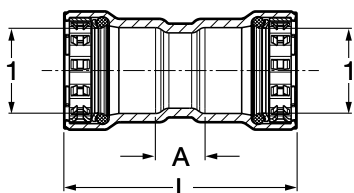
FKM	Part No.		Size (in)		A (in)	L (in)
	HNBR		1	2		
26655	28755		2 1/2	2 1/2	1.13	3.86
26660	28760		3	3	1.17	4.49
26665	28765		4	4	1.15	5.42

MegaPress Reducing Adapter, Carbon Steel, P x FPT - Models 4812 / 5912 / 6612



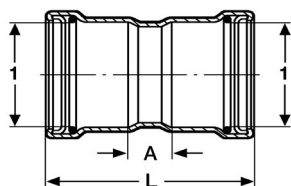
EPDM	Part No.		Size (in)		A (in)	L (in)
	FKM	HNBR	1	2		
25575	84750	25576	3/4	1/2	0.73	2.43
25580	84755	25581	1	1/2	1.03	2.91
25585	84760	25586	1	3/4	0.78	2.68
25590	84765	25591	1 1/4	1/2	1.15	3.50
25595	84770	25596	1 1/4	3/4	1.11	3.48
25600	84775	25601	1 1/4	1	0.76	3.24
25605	84780	25606	1 1/2	1/2	1.31	3.72
25610	84785	25611	1 1/2	3/4	1.27	3.70
25615	84790	25616	1 1/2	1	1.11	3.64
25620	84795	25621	1 1/2	1 1/4	0.86	3.41
25625	NA	25626	2	1/2	1.56	4.06
25630	84800	25631	2	3/4	1.54	4.08
25635	84805	25636	2	1	1.35	4.00
25640	NA	25641	2	1 1/4	1.28	3.93
25645	84810	25646	2	1 1/2	1.03	3.70

MegaPress Coupling with Stop, Carbon Steel, P x P - Models 4815 / 5915 / 6615



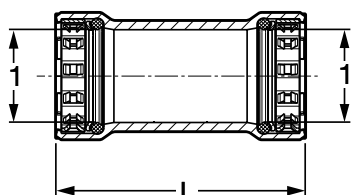
EPDM	Part No.		Size (in)		A (in)	L (in)
	FKM	HNBR	1			
25000	84215	25001	1/2		0.56	2.70
22005	84220	22009	3/4		0.63	2.94
25010	84225	25011	1		0.59	3.29
25015	84230	25016	1 1/4		0.70	4.34
25020	84235	25021	1 1/2		0.89	4.63
25025	84240	25026	2		0.77	4.75

Viega MegaPress Coupling with Stop P x P - Models 4815XL / 6615XL



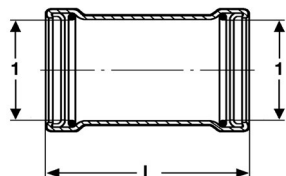
FKM	Part No.		Size (in)		A (in)	L (in)
	HNBR	1				
26670	28770	2 1/2		1.32	4.92	
26675	28775	3		1.38	5.98	
26680	28780	4		1.57	7.87	

MegaPress Coupling No Stop, Carbon Steel, P x P - Models 4815.5 / 5915.5 / 6615.5



EPDM	Part No.		Size (in)		L (in)
	FKM	HNBR	1		
25030	84130	25031	1/2		2.71
25035	84135	25036	3/4		2.94
25040	84140	25041	1		3.29
25045	84145	25046	1 1/4		4.34
25050	84150	25051	1 1/2		4.63
25055	84155	25056	2		4.74

Viega MegaPress Coupling No Stop P x P - Models 4815.5XL / 6615.5XL



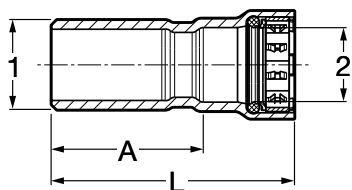
Part No.		Size (in)	L (in)
FKM	HNBR	1	
26685	28785	2½	4.92
26690	28790	3	5.98
26695	28795	4	7.91

MegaPress Extended No Stop Coupling, Carbon Steel, P x P - Models 4815.3 / 6615.3

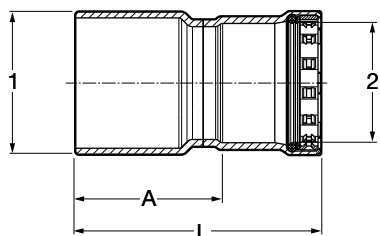


Part No.		Size (in)	L (in)
EPDM	HNBR	1	
25070	25071	½	3.82
25075	25076	¾	4.00
25080	25081	1	4.38
25085	25086	1¼	5.33
25090	25091	1½	5.44
25095	25096	2	5.63

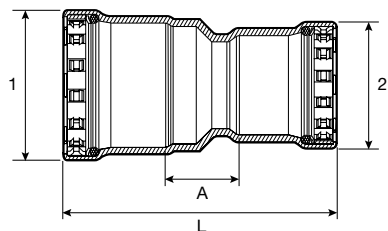
MegaPress Reducer, Carbon Steel, FTG x P - Models 4815.1 / 5915.1 / 6615.1



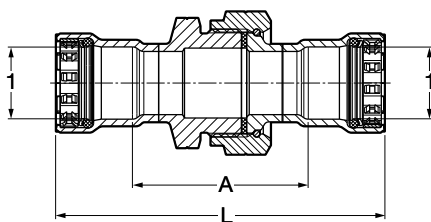
EPDM	Part No.		Size (in)	A (in)	L (in)
	FKM	HNBR	1 2		
26000	84160	26001	¾ x ½	1.78	2.85
26005	84165	26006	1 x ½	2.14	3.21
26010	84170	26011	1 x ¾	2.09	3.24
NA	84175	NA	1¼ x ¾	2.81	3.97
26015	84180	26016	1¼ x 1	2.63	3.98
26020	84185	26021	1½ x ¾	2.98	4.13
26025	84190	26031	1½ x 1	2.81	4.16
26030	84195	26026	1½ x 1¼	2.70	4.52
26035	84200	26036	2 x 1	3.14	4.49
26040	84205	26041	2 x 1¼	3.02	4.83
26045	84210	26046	2 x 1½	2.96	4.83

Viega MegaPress Reducer FTG x P - Models 4815.1XL / 6615.1XL


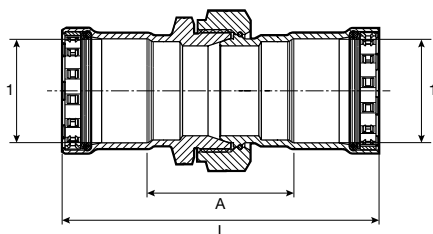
Part No.		Size (in)		A (in)	L (in)
FKM	HNBR	1	2		
26700	28800	2½	x 1	3.49	4.83
26705	28805	2½	x 1¼	3.37	5.19
26710	28810	2½	x 1½	3.30	5.17
26715	28815	2½	x 2	2.97	4.96
26720	28820	3	x 1¼	4.16	5.98
26725	28825	3	x 1½	4.08	5.95
26730	28830	3	x 2	3.76	5.75
26735	28835	3	x 2½	3.75	5.55
26740	28840	4	x 1½	5.60	7.47
26745	28845	4	x 2	5.28	7.27
26750	28850	4	x 2½	5.27	7.06
26755	28855	4	x 3	5.03	7.33

MegaPress Reducer, Carbon Steel, P x P - Models 4815.2 / 6615.2


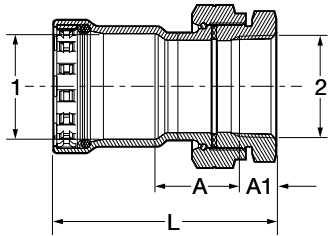
Part No.		Size (in)		A (in)	L (in)
EPDM	HNBR	1	2		
25930	25931	¾	x ½	1.20	3.43
25935	25936	1	x ½	1.37	3.79
25940	25941	1	x ¾	1.24	3.74
25945	25946	1¼	x ¾	1.40	4.37
25950	25951	1¼	x 1	1.23	4.39
25955	25956	1½	x 1¼	1.21	4.90
25960	25961	2	x 1¼	1.45	5.27
25965	25966	2	x 1½	1.43	5.26

MegaPress Union, Carbon Steel, P x P - Model 4860 / 5960


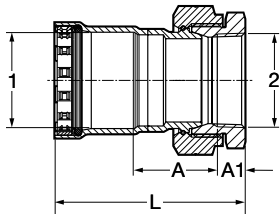
Part No.		Size (in)		A (in)	L (in)
EPDM	FKM	1			
25700	84815	½		2.35	4.50
25705	84820	¾		2.67	4.99
25710	84825	1		2.65	5.34
25715	84830	1¼		2.84	6.48
25720	84835	1½		2.89	6.63
25725	84840	2		3.92	7.89

MegaPress Union, Carbon Steel, P x P - Model 6660


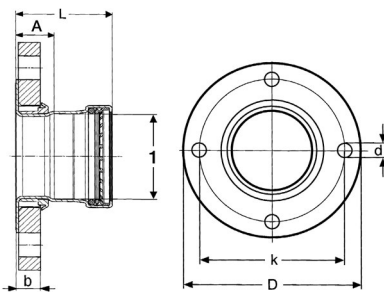
Part No.	Size (in)		A (in)	L (in)
HNBR	1			
25701	½		2.33	4.47
25706	¾		2.67	4.98
25711	1		2.60	5.29
25716	1¼		2.85	6.49
25721	1½		2.90	6.64
25726	2		3.41	7.35

MegaPress Union, Carbon Steel, P x FPT - Model 4862


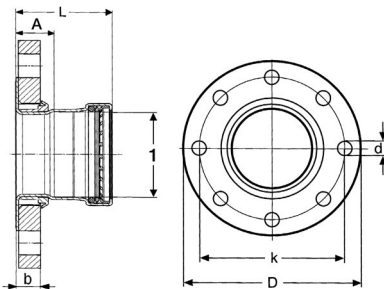
Part No.	Size (in)		A (in)	A1 (in)	L (in)
	1	2			
25650	1/2	1/2	1.25	0.54	2.85
25655	3/4	3/4	1.48	0.56	3.20
25660	1	1	1.37	0.66	3.38
25665	1 1/4	1 1/4	1.53	0.68	4.03
25670	1 1/2	1 1/2	1.55	0.68	4.10
25675	2	2	2.33	0.70	5.00

MegaPress Union, Carbon Steel, P x FPT - Model 6662


Part No.	Size (in)		A (in)	A1 (in)	L (in)
	1	2			
25651	1/2	1/2	1.38	0.54	2.98
25656	3/4	3/4	1.64	0.56	3.35
25661	1	1	1.62	0.66	3.63
25666	1 1/4	1 1/4	1.85	0.68	4.35
25671	1 1/2	1 1/2	1.80	0.68	4.35
25676	2	2	2.11	0.70	4.77

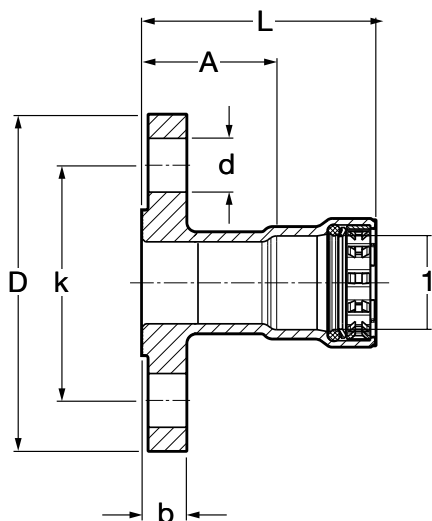
Viega MegaPress Adapter Flange P - Models 4859XL / 6659XL


Part No.	Size (in)	A (in)	L (in)	b (in)	k (in)	D (in)	d (in)
26775	2 1/2	1.54	3.33	0.89	5.51	7.09	0.75
26780	3	1.65	3.95	0.96	5.98	7.48	0.75

Viega MegaPress Adapter Flange P - Models 4859XL / 6659XL


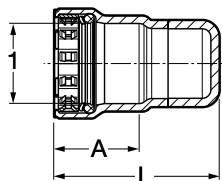
Part No.	Size (in)	A (in)	L (in)	b (in)	k (in)	D (in)	d (in)
26785	4	1.63	4.80	0.96	7.52	9.06	0.75

MegaPress Flange, Carbon Steel, P x BP - Models 4859.5 / 5959.5 / 6659.5



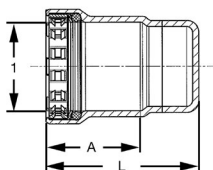
Part No.			Size (in)	A (in)	L (in)	b (in)	k (in)	D (in)	d (in)
EPDM	FKM	HNBR	1						
25760	84845	25761	1/2	1.51	2.58	0.46	2.36	3.54	0.63
25765	84850	25766	3/4	1.58	2.74	0.52	2.76	3.94	0.63
25770	84855	25771	1	1.75	3.10	0.58	3.11	4.33	0.63
25775	84860	25776	1 1/4	1.89	3.71	0.64	3.50	4.53	0.63
25780	84865	25781	1 1/2	2.06	3.93	0.70	3.86	4.92	0.63
25785	84870	25786	2	2.07	4.06	0.77	4.76	5.91	0.75

MegaPress Cap, Carbon Steel, P x Cap - Models 4856 / 5956 / 6656



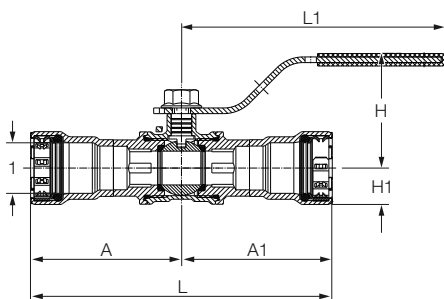
Part No.			Size (in)	A (in)	L (in)
EPDM	FKM	HNBR	1		
25730	84100	25731	1/2	1.07	2.14
25735	84105	25736	3/4	1.16	2.26
25740	84110	25741	1	1.35	2.43
25745	84115	25746	1 1/4	1.82	2.93
25750	84120	25751	1 1/2	1.87	3.02
25755	84125	25756	2	1.99	3.11

Viega MegaPress Cap P - Models 4856.1XL / 6656.1XL

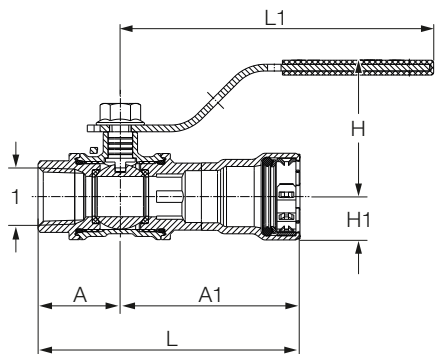


Part No.		Size (in)	A (in)	L (in)
FKM	HNBR	1		
26760	28860	2 1/2	1.80	3.27
26765	28865	3	2.30	3.78
26770	28870	4	3.18	4.65

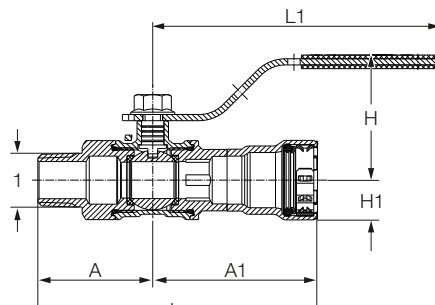
Viega MegaPressG Ball Valve - Model 6675



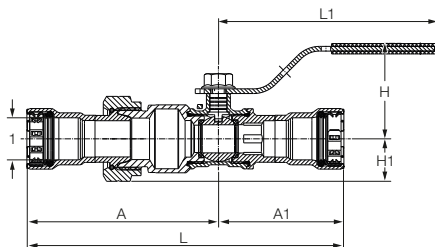
Part No.	Size (in)	A (in)	A1 (in)	L (in)	L1 (in)	H (in)	H1 (in)
HNBR	1						
30600	1/2	2.62	2.62	5.24	4.57	1.99	0.63
30605	3/4	2.80	2.80	5.59	4.57	2.10	0.77
30610	1	3.16	3.16	6.31	5.77	2.46	0.91
30615	1 1/4	3.78	3.78	7.55	5.77	2.69	1.14
30620	1 1/2	3.98	3.98	7.97	6.12	3.02	1.36
30625	2	4.35	4.35	8.70	6.12	3.31	1.65

Viega MegaPressG Ball Valve - Model 6675.1


Part No. HNBR	Size (in)	A (in)	A1 (in)	L (in)	L1 (in)	H (in)	H1 (in)
	1						
30630	1/2	1.20	2.62	3.82	4.57	1.99	0.63
30635	3/4	1.36	2.80	4.15	4.57	2.10	0.77
30640	1	1.85	3.16	5.00	5.77	2.46	0.91
30645	1 1/4	1.87	3.78	5.64	5.77	2.69	1.14
30650	1 1/2	2.05	3.98	6.03	6.12	3.02	1.36
30655	2	2.43	4.35	6.78	6.12	3.31	1.65

Viega MegaPressG Ball Valve - Model 6675.2


Part No. HNBR	Size (in)	A (in)	A1 (in)	L (in)	L1 (in)	H (in)	H1 (in)
	1						
30660	1/2	1.81	2.62	4.44	4.57	0.63	1.99
30665	3/4	1.87	2.80	4.64	4.57	0.77	2.10
30670	1	2.53	3.16	5.69	5.77	0.91	2.46
30675	1 1/4	2.56	3.78	6.33	5.77	1.14	2.69
30680	1 1/2	2.67	3.98	6.65	6.12	1.36	3.02
30685	2	2.92	4.35	7.28	6.12	1.65	3.31

Viega MegaPressG Ball Valve - Model 6675.3


Part No. HNBR	Size (in)	A (in)	A1 (in)	L (in)	L1 (in)	H (in)	H1 (in)
	1						
30690	1/2	4.00	2.62	6.62	4.57	1.99	0.89
30695	3/4	4.19	2.80	6.99	4.57	2.10	1.08
30700	1	4.53	3.16	7.69	5.77	2.46	1.18
30705	1 1/4	5.65	3.78	9.43	5.77	2.69	1.50
30710	1 1/2	5.59	3.98	9.57	6.12	3.02	1.50
30715	2	6.53	4.35	10.88	6.12	3.31	1.65

5 Limited Warranty

Viega MegaPressG

Subject to the conditions and limitations in this Limited Warranty, Viega LLC (Viega) warrants to end users, installers, and distribution houses that its Viega MegaPressG metal press fittings (Viega Product) with application appropriate sealing element when properly installed in non-industrial and non-marine applications and Viega MegaPressG Approved Applications for natural and fuel gases and lubricant, and approved fuels, lubricants, and oils, under Viega specified system operating conditions, shall be free from failure caused by manufacturing defects for a period of fifteen (15) years from date of installation. MegaPressG Valves, when properly installed and under normal conditions of use, will be free of failure from manufacturing defects for a period of two (2) years from date of installation.

Under this Limited Warranty, you only have a right to a remedy if the failure or leak resulted from a manufacturing defect in the Viega Product and the failure or leak occurs during the warranty period. You do not have a remedy under this warranty and the warranty remedy does not apply if the failure or any resulting damage is caused by (1) components other than those manufactured or sold by Viega, such as black iron pipe; (2) not designing, installing, inspecting, testing, or maintaining the Viega Product in accordance with Viega's installation and product instructions in effect at the time of installation and other specifications and approvals applicable to the installation; (3) use of Viega Product under non recommended system operating conditions, improper handling and protection of the Viega Product prior to, during and after installation, inadequate freeze protection, or exposure to environmental conditions not recommended for the application; or (4) acts of nature, such as, but not limited to, earthquakes, fire, or weather damage. In the event of a leak or other failure of the Viega Product covered by this warranty, it is the responsibility of the end user to take appropriate measures to mitigate any damage, to include making timely repairs. Only if the warranty applies will Viega be responsible for the remedy under this warranty. The part or parts which you claim failed should be kept and Viega

contacted by writing to the address below or telephoning 1-800-976-9819 within thirty (30) calendar days after the leak or other failure and identifying yourself as having a warranty claim. You should be prepared to ship, at your expense, the product which you claim failed due to a manufacturing defect, document the date of installation, and the amount of the repair or replacement if performed by you. Within a reasonable time after receiving the product, Viega will investigate the reasons for the failure, which includes the right to inspect the product at a Viega location and reasonable access to the site of damage. Viega will notify you in writing as to the results of its review.

In the event that Viega determines that the failure or leak was the result of a manufacturing defect in the Viega Product covered by this warranty and this warranty applies, the EXCLUSIVE AND ONLY REMEDY under this warranty shall be the reimbursement for reasonable charges for repair or replacement of the Viega Product itself. VIEGA SHALL NOT BE LIABLE FOR ANY CONSEQUENTIAL OR OTHER DAMAGE (FOR EXAMPLE, ECONOMIC LOSS, WATER OR PROPERTY OR MOLD REMEDIATION) UNDER ANY LEGAL THEORY AND WHETHER ASSERTED BY DIRECT ACTION, FOR CONTRIBUTION OR INDEMNITY OR OTHERWISE.

THE ABOVE WARRANTY IS IN LIEU OF ALL OTHER WARRANTIES, EXPRESS OR IMPLIED, INCLUDING, BUT NOT LIMITED TO, THE IMPLIED WARRANTIES OF MERCHANTABILITY AND FITNESS FOR A PARTICULAR PURPOSE OR ANY STATUTE OF LIMITATIONS RELATING TO SUCH WARRANTIES. Other than this Limited Warranty, Viega does not authorize any person or firm to create for it any other obligation or liability in connection with its products.

This Limited Warranty gives you specific legal rights and you also may have other rights which may vary from state to state. This warranty shall be interpreted and applied under the law of the state in which the product is installed and is intended as a COMMERCIAL WARRANTY.

Limited Warranty

Viega Metal Systems for Industrial Applications

Industrial applications are defined as non-residential and non-commercial applications not normally accessible to the general public, including manufacturing, mining, process or fabrication environments.

Subject to the terms and conditions of this Limited Warranty, Viega LLC (Viega) warrants to end users, installers and distribution houses that its Viega metal press products (Viega product) when properly installed in industrial applications shall be free from failure caused by manufacturing defects for a period of two (2) years from date of installation.

Under this Limited Warranty, you only have a right to a remedy if the failure or leak resulted from a manufacturing defect in the Viega product and the failure or leak occurs during the warranty period. You do not have a remedy under this warranty and the warranty remedy does not apply if the failure or any resulting damage is caused by (1) components other than those sold by Viega; (2) not designing, installing, inspecting, testing, or maintaining the Viega product in accordance with Viega's installation and product instructions in effect at the time of installation and other specifications and approvals applicable to the installation; (3) improper handling and protection of the Viega product prior to, during and after installation, inadequate freeze protection, or exposure to environmental or operating conditions not recommended for the application; or (4) acts of nature, such as, but not limited to earthquakes, fire, or weather damage. Final approval as to use compatibility to a specific process or fluid application is the responsibility of the engineer of record or responsible design/facilities personnel and this Limited Warranty only applies to manufacturing defects in the Viega Product.


In the event of a leak or other failure in the Viega product covered by this warranty, it is the responsibility of the end user to take appropriate measures to diminish any damage, to include making timely repairs. Only if the warranty applies will Viega be responsible for the remedy under this warranty. The part or parts which you claim failed should be kept and Viega contacted by writing to the address below or telephoning 1-800-976-9819 within

thirty (30) calendar days after the leak or other failure and identifying yourself as having a warranty claim. You should be prepared to ship, at your expense, the product which you claim failed due to a manufacturing defect, document the date of installation, and the amount of the repair or replacement if performed by you. Within a reasonable time after receiving the product, Viega will investigate the reasons for the failure, which includes the right to inspect the product at a Viega location and reasonable access to the site of damage. Viega will notify you in writing as to the results of its review.

In the event that Viega determines that the failure or leak was the result of a manufacturing defect in the Viega Product covered by this warranty and to which this warranty applies, the EXCLUSIVE AND ONLY REMEDY under this warranty shall be the reimbursement for reasonable charges for repair or replacement of the Viega Product itself. VIEGA SHALL NOT BE LIABLE FOR CONSEQUENTIAL OR OTHER DAMAGE (FOR EXAMPLE, ECONOMIC LOSS, WATER OR PROPERTY OR MOLD REMEDIATION) UNDER ANY LEGAL THEORY AND WHETHER ASSERTED BY DIRECT ACTION, FOR CONTRIBUTION OR INDEMNITY OR OTHERWISE.

THE ABOVE WARRANTY IS IN LIEU OF ALL OTHER WARRANTIES, EXPRESS OR IMPLIED, INCLUDING, BUT NOT LIMITED TO, THE IMPLIED WARRANTIES OR ANY STATUTE OF LIMITATIONS RELATING TO SUCH WARRANTIES. Other than this Limited Warranty, Viega does not authorize any person or firm to create for it any other obligation or liability in connection with its products.

This Limited Warranty gives you specific legal rights and you also may have other rights which may vary from state to state. This warranty shall be interpreted and applied under the law of the state in which the product is installed and is intended as a Commercial Warranty.

 **Viega LLC**
585 Interlocken Blvd.
Broomfield, CO 80021

Phone (800) 976-9819
www.viega.us

SM-MP 0821 MegaPressG Fittings

