

## Dimensional Document

# Viega MegaPress® Fittings



This document is subject to updates. For the most current Viega technical literature please visit [www.viega.us](http://www.viega.us).

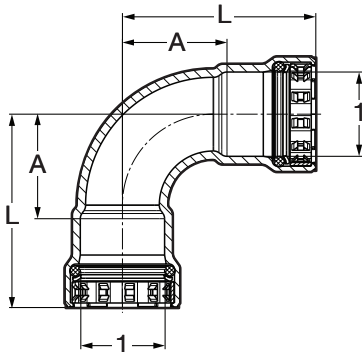


Viega products are designed to be installed by licensed and trained plumbing and mechanical professionals who are familiar with Viega products and their installation. **Installation by non-professionals may void Viega LLC's warranty.**



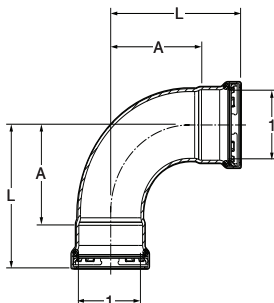
\*MegaPress FKM 2½" to 4" formerly MegaPress XL®.

### MegaPress 90° Elbow, Carbon Steel, P x P - Models 4816 / 5916 / 6616

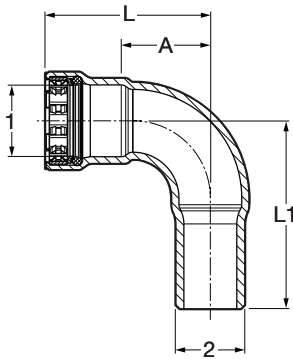


EPDM	Part No.		Size (in)	A (in)	L (in)
	FKM	HNBR			
25200	84305	25201	1/2	1.17	2.24
25205	84310	25206	3/4	1.36	2.52
25210	84315	25211	1	1.72	3.07
25215	84320	25216	1 1/4	2.00	3.82
25220	84325	25221	1 1/2	2.26	4.13
25225	84330	25226	2	2.80	4.78

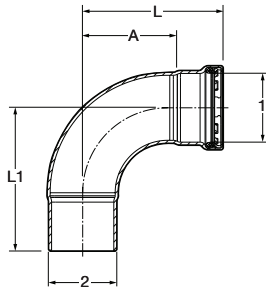
### Viega MegaPress 90° Elbow P x P - Models 4816XL / 6616XL



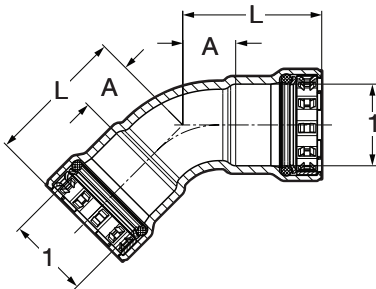
Part No.		Size (in)	A (in)	L (in)
FKM	HNBR			
26500	28600	2 1/2	4.15	5.94
26505	28605	3	4.76	7.09
26510	28610	4	6.00	9.17

**MegaPress 90° Elbow, Carbon Steel, P x FTG - Models 4816.1 / 5916.1 / 6616.1**


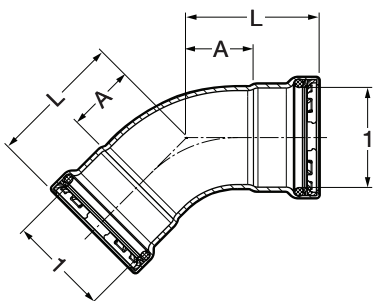
EPDM	Part No.		Size (in)		A (in)	L (in)	L1 (in)
	FKM	HNBR	1	2			
26050	84875	26051	1/2 x 1/2		1.17	2.24	2.56
26055	84880	26056	3/4 x 3/4		1.36	2.52	2.87
26060	84885	26061	1 x 1		1.72	3.07	3.39
26065	84890	26066	1 1/4 x 1 1/4		2.00	3.82	4.04
26070	84895	26071	1 1/2 x 1 1/2		2.26	4.13	4.21
26075	84900	26076	2 x 2		2.80	4.78	5.08

**Viega MegaPress 90° Street Elbow P x FTG - Models 4816.1XL / 6616.1XL**


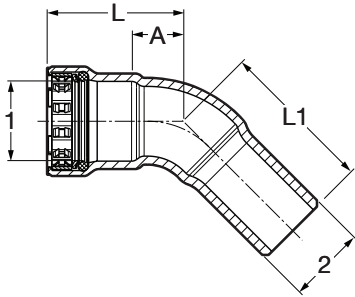
FKM	Part No.		Size (in)		A (in)	L (in)	L1 (in)
	HNBR	1	2				
26515	28615	2 1/2 x 2 1/2		4.15	5.94	6.06	
26520	28620	3 x 3		4.76	7.09	6.81	
26525	28625	4 x 4		6.00	9.17	8.78	

**MegaPress 45° Elbow, Carbon Steel, P x P - Models 4826 / 5926 / 6626**


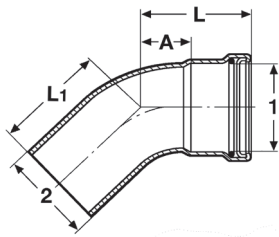
EPDM	Part No.		Size (in)		A (in)	L (in)
	FKM	HNBR	1	2		
25230	84335	25231	1/2		0.60	1.67
25235	84340	25236	3/4		0.71	1.87
25240	84345	25241	1		0.86	2.20
25245	84350	25246	1 1/4		0.98	2.80
25250	84355	25251	1 1/2		1.12	2.99
25255	84360	25256	2		1.32	3.31

**Viega MegaPress 45° Elbow P x P - Models 4826XL / 6626XL**


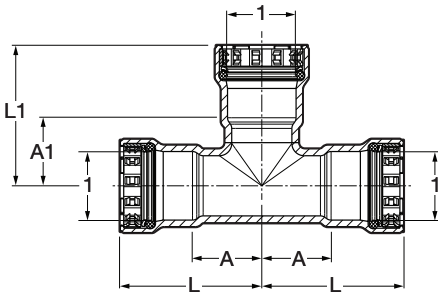
FKM	Part No.		Size (in)		A (in)	L (in)
	HNBR	1	2			
26530	28630	2 1/2		2.10	3.90	
26535	28635	3		2.26	4.56	
26540	28640	4		2.74	5.92	

**MegaPress 45° Elbow, Carbon Steel, P x FTG - Models 4826.1 / 5926.1 / 6626.1**


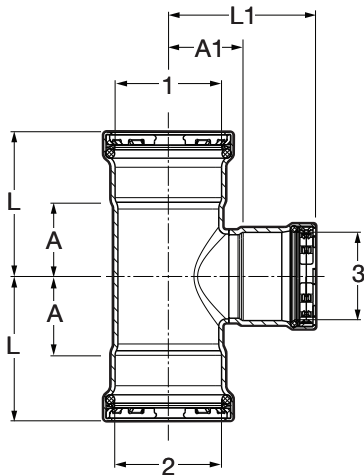
EPDM	Part No.		Size (in)		A (in)	L (in)	L1 (in)
	FKM	HNBR	1	2			
26100	84905	26101	1/2	1/2	0.60	1.67	1.97
26105	84910	26106	3/4	3/4	0.71	1.87	2.13
26110	84915	26111	1	1	0.86	2.20	2.52
26115	84920	26116	1 1/4	1 1/4	0.98	2.80	2.99
26120	84925	26121	1 1/2	1 1/2	1.12	2.99	3.07
26125	84930	26126	2	2	1.32	3.31	3.58

**Viega MegaPress 45° Street Elbow P x FTG - Models 4826.1XL / 6626.1XL**


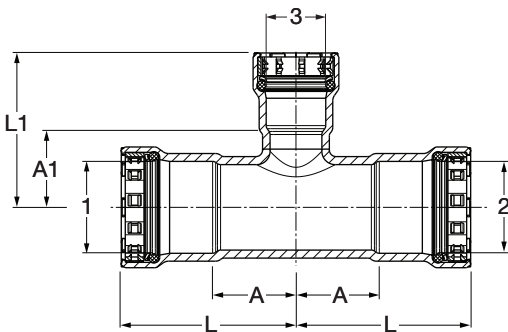
FKM	Part No.		Size (in)		A (in)	L (in)	L1 (in)
	HNBR	1	2				
26545	28645	2 1/2	2 1/2	2.10	3.90	3.95	
26550	28650	3	3	2.26	4.56	4.34	
26555	28655	4	4	2.74	5.92	5.62	

**MegaPress Tee, Carbon Steel, P x P x P - Models 4818 / 5918 / 6618**


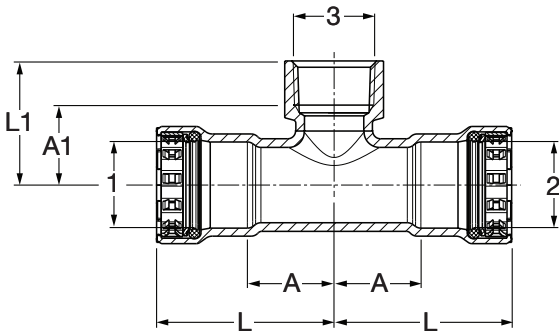
EPDM	Part No.		Size (in)		A (in)	A1 (in)	L (in)	L1 (in)
	FKM	HNBR	1	2				
25300	84365	25301	1/2	1/2	0.97	0.93	2.04	2.00
25305	84370	25306	3/4	3/4	1.11	1.09	2.26	2.24
25310	84375	25311	1	1	1.23	1.23	2.57	2.57
25315	84395	25316	1 1/4	1 1/4	1.41	1.38	3.23	3.20
25320	84400	25321	1 1/2	1 1/2	1.57	1.54	3.44	3.41
25325	84405	25326	2	2	1.81	1.80	3.80	3.79

**Viega MegaPress Tee P x P x P - Models 4818XL / 6618XL**


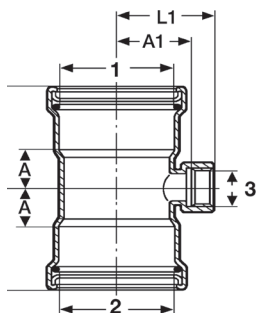
Part No.	FKM	HNBR	Size (in)			A (in)	A1 (in)	L (in)	L1 (in)
			1	2	3				
NA	28910		2½	2½	1	1.35	2.04	3.15	3.38
NA	28905		2½	2½	1¼	1.72	2.06	3.52	3.87
26575	28675		2½	2½	1½	1.72	2.08	3.52	3.95
26580	28680		2½	2½	2	2.16	2.05	3.96	4.04
26560	28660		2½	2½	2½	2.16	2.26	3.96	4.06
26595	28695		3	3	1¼	1.70	2.31	4.04	4.13
26590	28690		3	3	1½	1.80	2.33	4.13	4.20
26585	28685		3	3	2	2.11	2.30	4.41	4.29
26600	28700		3	3	2½	2.32	2.51	4.63	4.31
26565	28665		3	3	3	2.55	2.52	4.88	4.82
26605	28705		4	4	1½	1.86	2.90	5.04	4.77
26610	28710		4	4	2	2.18	2.87	5.35	4.86
26615	28715		4	4	2½	2.40	3.08	5.55	4.88
26620	28720		4	4	3	2.66	3.13	5.81	5.43
26570	28670		4	4	4	3.22	3.08	6.40	6.26

**MegaPress Reducing Tee, Carbon Steel, P x P x P - Models 4818 / 5918 / 6618**


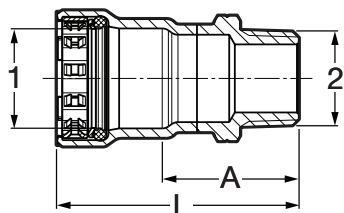
EPDM	Part No.		Size (in)			A (in)	A1 (in)	L (in)	L1 (in)
	FKM	HNBR	1	2	3				
25330	84410	25331	¾	¾	½	1.11	1.07	2.26	2.14
25335	84415	25336	1	1	½	1.23	1.20	2.57	2.28
25340	84420	25341	1	1	¾	1.23	1.24	2.57	2.40
25510	84380	25491	1¼	1¼	½	1.41	1.35	3.23	2.42
25515	84385	25496	1¼	1¼	¾	1.41	1.39	3.23	2.55
25350	84390	25351	1¼	1¼	1	1.41	1.38	3.23	2.73
25360	84425	25361	1½	1½	½	1.57	1.44	3.44	2.51
25365	84430	25366	1½	1½	¾	1.57	1.48	3.44	2.64
25370	84435	25371	1½	1½	1	1.57	1.48	3.44	2.83
25375	84440	25376	1½	1½	1¼	1.57	1.50	3.44	3.32
25380	84445	25381	2	2	½	1.81	1.74	3.80	2.81
25385	84450	25386	2	2	¾	1.81	1.80	3.80	2.95
25390	84455	25391	2	2	1	1.81	1.75	3.80	3.10
25395	84460	25396	2	2	1¼	1.81	1.78	3.80	3.60
25400	84465	25401	2	2	1½	1.81	1.84	3.80	3.71

**MegaPress Reducing Tee, Carbon Steel, P x P x FPT - Models 4817.2 / 5917.2 / 6617.2**


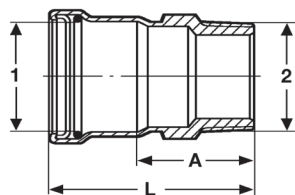
EPDM	Part No.		Size (in)			A (in)	A1 (in)	L (in)	L1 (in)
	FKM	HNBR	1	2	3				
25405	84545	25406	¾	¾	½	1.11	1.02	2.26	1.55
25480	84550	25481	¾	¾	¾	1.11	1.03	2.26	1.58
25410	84555	25411	1	1	½	1.23	1.19	2.57	1.73
25415	84560	25416	1	1	¾	1.23	1.18	2.57	1.73
25485	84575	25486	1¼	1¼	½	1.41	1.31	3.23	1.85
25505	84570	25506	1¼	1¼	¾	1.41	1.33	3.23	1.89
25500	84565	25501	1¼	1¼	1	1.41	1.37	3.23	2.03
25435	84580	25436	1½	1½	½	1.57	1.42	3.44	1.95
25440	84585	25441	1½	1½	¾	1.57	1.41	3.44	1.97
25445	84590	25446	1½	1½	1	1.57	1.57	3.44	2.24
25450	NA	25451	1½	1½	1¼	1.57	1.47	3.44	2.15
25455	84595	25456	2	2	½	1.81	1.70	3.80	2.24
25460	84600	25461	2	2	¾	1.81	1.72	3.80	2.28
25465	84605	25466	2	2	1	1.81	1.89	3.80	2.55
25470	NA	25471	2	2	1¼	1.81	1.77	3.80	2.45
25475	NA	25476	2	2	1½	1.81	1.73	3.80	2.41

**Viega MegaPress Tee P x P x FPT - Models 4817.2XL / 6617.2XL**


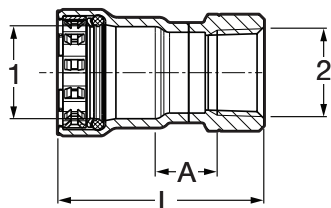
Part No.		Size (in)			A (in)	A1 (in)	L (in)	L1 (in)
FKM	HNBR	1	2	3				
26625	28725	2½	2½	¾	1.35	2.00	3.15	2.55
26630	28730	3	3	¾	1.44	2.24	3.74	2.80
26635	28735	4	4	¾	1.55	2.76	4.72	3.31

**MegaPress Adapter, Carbon Steel, P x MPT - Models 4811 / 5911 / 6611**


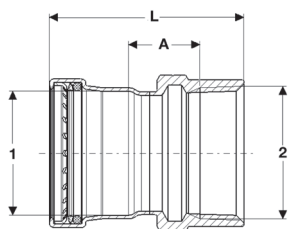
EPDM	Part No.		Size (in)		A (in)	L (in)
	FKM	HNBR	1	2		
25100	84245	25101	½ x ½		1.45	2.52
25105	84250	25106	¾ x ¾		1.50	2.66
25110	84255	25111	1 x 1		1.66	3.00
25115	84260	25116	1¼ x 1¼		1.90	3.70
25120	84265	25121	1½ x 1½		1.93	3.80
25125	84270	25126	2 x 2		1.93	3.92

**Viega MegaPress Adapter P x MPT - Models 4811XL / 6611XL**


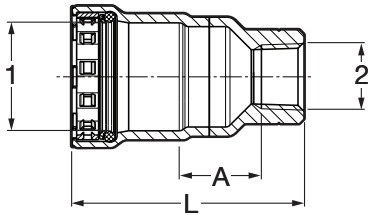
FKM	Part No.		Size (in)		A (in)	L (in)
	HNBR		1	2		
26640	28740		2½ x 2½		2.75	4.55
26645	28745		3 x 3		2.89	5.20
26650	28750		4 x 4		3.03	6.21

**MegaPress Adapter, Carbon Steel, P x FPT - Models 4812 / 5912 / 6612**


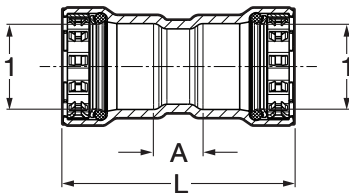
EPDM	Part No.		Size (in)		A (in)	L (in)
	FKM	HNBR	1	2		
25130	84275	25131	½ x ½		0.69	2.29
25135	84280	25136	¾ x ¾		0.74	2.45
25140	84285	25141	1 x 1		0.73	2.74
25145	84290	25146	1¼ x 1¼		0.77	3.27
25150	84295	25151	1½ x 1½		0.72	3.28
25155	84300	25156	2 x 2		0.76	3.44

**Viega MegaPress Adapter P x FPT - Models 4812XL / 6612XL**


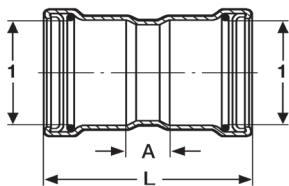
FKM	Part No.		Size (in)		A (in)	L (in)
	HNBR		1	2		
26655	28755		2½ x 2½		1.13	3.86
26660	28760		3 x 3		1.17	4.49
26665	28765		4 x 4		1.15	5.42

**MegaPress Reducing Adapter, Carbon Steel, P x FPT - Models 4812 / 5912 / 6612**


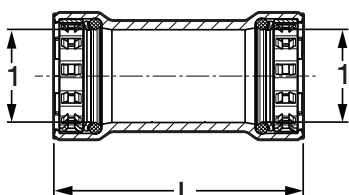
EPDM	Part No.		Size (in)		A (in)	L (in)
	FKM	HNBR	1	2		
25575	84750	25576	¾ x ½		0.73	2.43
25580	84755	25581	1 x ½		1.03	2.91
25585	84760	25586	1 x ¾		0.78	2.68
25590	84765	25591	1¼ x ½		1.15	3.50
25595	84770	25596	1¼ x ¾		1.11	3.48
25600	84775	25601	1¼ x 1		0.76	3.24
25605	84780	25606	1½ x ½		1.31	3.72
25610	84785	25611	1½ x ¾		1.27	3.70
25615	84790	25616	1½ x 1		1.11	3.64
25620	84795	25621	1½ x 1¼		0.86	3.41
25625	NA	25626	2 x ½		1.56	4.06
25630	84800	25631	2 x ¾		1.54	4.08
25635	84805	25636	2 x 1		1.35	4.00
25640	NA	25641	2 x 1¼		1.28	3.93
25645	84810	25646	2 x 1½		1.03	3.70

**MegaPress Coupling with Stop, Carbon Steel, P x P - Models 4815 / 5915 / 6615**


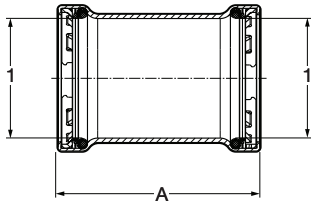
EPDM	Part No.		Size (in)		A (in)	L (in)
	FKM	HNBR	1			
25000	84215	25001	½		0.56	2.70
22005	84220	22009	¾		0.63	2.94
25010	84225	25011	1		0.59	3.29
25015	84230	25016	1¼		0.70	4.34
25020	84235	25021	1½		0.89	4.63
25025	84240	25026	2		0.77	4.75

**Viega MegaPress Coupling with Stop P x P - Models 4815XL / 6615XL**


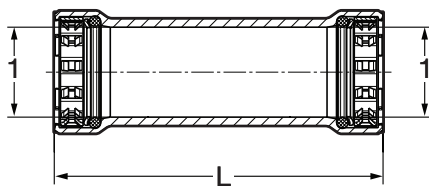
FKM	Part No.		Size (in)		A (in)	L (in)
	HNBR	1				
26670	28770	2½		1.32	4.92	
26675	28775	3		1.38	5.98	
26680	28780	4		1.57	7.87	

**MegaPress Coupling No Stop, Carbon Steel, P x P - Models 4815.5 / 5915.5 / 6615.5**


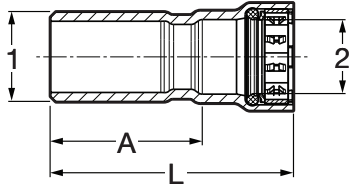
EPDM	Part No.		Size (in)		L (in)
	FKM	HNBR	1		
25030	84130	25031	½		2.71
25035	84135	25036	¾		2.94
25040	84140	25041	1		3.29
25045	84145	25046	1¼		4.34
25050	84150	25051	1½		4.63
25055	84155	25056	2		4.74

**Viega MegaPress Coupling No Stop P x P - Models 4815.5XL / 6615.5XL**


Part No.		Size (in)	L (in)
FKM	HNBR	1	
26685	28785	2½	4.92
26690	28790	3	5.98
26695	28795	4	7.91

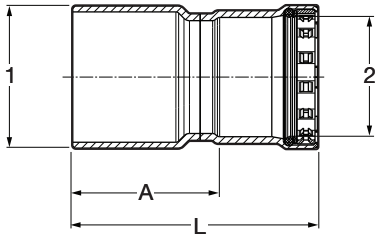
**MegaPress Extended No Stop Coupling, Carbon Steel, P x P - Models 4815.3 / 6615.3**


Part No.		Size (in)	L (in)
EPDM	HNBR	1	
25070	25071	½	3.82
25075	25076	¾	4.00
25080	25081	1	4.38
25085	25086	1¼	5.33
25090	25091	1½	5.44
25095	25096	2	5.63

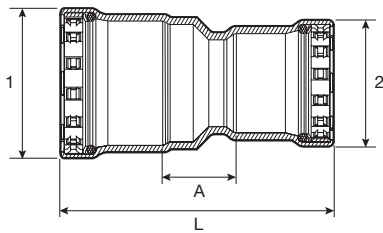
**MegaPress Reducer, Carbon Steel, FTG x P - Models 4815.1 / 5915.1 / 6615.1**


EPDM	Part No.		Size (in)	A (in)	L (in)
	FKM	HNBR	1 2		
26000	84160	26001	¾ x ½	1.78	2.85
26005	84165	26006	1 x ½	2.14	3.21
26010	84170	26011	1 x ¾	2.09	3.24
NA	84175	NA	1¼ x ¾	2.81	3.97
26015	84180	26016	1¼ x 1	2.63	3.98
26020	84185	26021	1½ x ¾	2.98	4.13
26025	84190	26031	1½ x 1	2.81	4.16
26030	84195	26026	1½ x 1¼	2.70	4.52
26035	84200	26036	2 x 1	3.14	4.49
26040	84205	26041	2 x 1¼	3.02	4.83
26045	84210	26046	2 x 1½	2.96	4.83

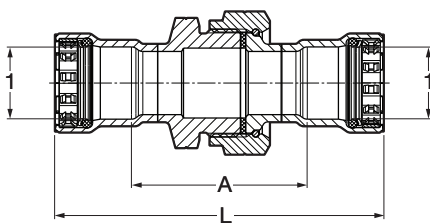


**Viega MegaPress Reducer FTG x P - Models 4815.1XL / 6615.1XL**


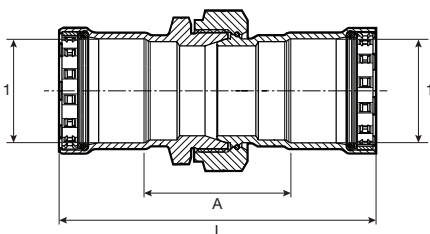
Part No.		Size (in)		A (in)	L (in)
FKM	HNBR	1	2		
26700	28800	2½	x 1	3.49	4.83
26705	28805	2½	x 1¼	3.37	5.19
26710	28810	2½	x 1½	3.30	5.17
26715	28815	2½	x 2	2.97	4.96
26720	28820	3	x 1¼	4.16	5.98
26725	28825	3	x 1½	4.08	5.95
26730	28830	3	x 2	3.76	5.75
26735	28835	3	x 2½	3.75	5.55
26740	28840	4	x 1½	5.60	7.47
26745	28845	4	x 2	5.28	7.27
26750	28850	4	x 2½	5.27	7.06
26755	28855	4	x 3	5.03	7.33

**MegaPress Reducer, Carbon Steel, P x P - Models 4815.2 / 6615.2**


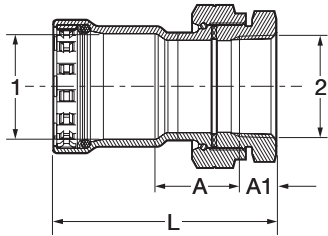
Part No.		Size (in)		A (in)	L (in)
EPDM	HNBR	1	2		
25930	25931	¾	x ½	1.20	3.43
25935	25936	1	x ½	1.37	3.79
25940	25941	1	x ¾	1.24	3.74
25945	25946	1¼	x ¾	1.40	4.37
25950	25951	1¼	x 1	1.23	4.39
25955	25956	1½	x 1¼	1.21	4.90
25960	25961	2	x 1¼	1.45	5.27
25965	25966	2	x 1½	1.43	5.26

**MegaPress Union, Carbon Steel, P x P - Model 4860 / 5960**


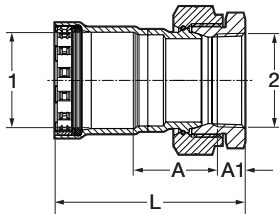
Part No.		Size (in)	A (in)	L (in)
EPDM	FKM	1		
25700	84815	½	2.35	4.50
25705	84820	¾	2.67	4.99
25710	84825	1	2.65	5.34
25715	84830	1¼	2.84	6.48
25720	84835	1½	2.89	6.63
25725	84840	2	3.92	7.89

**MegaPress Union, Carbon Steel, P x P - Model 6660**


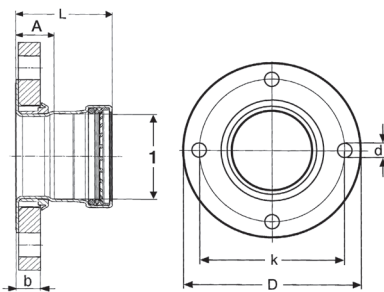
Part No.	Size (in)	A (in)	L (in)
HNBR	1		
25701	½	2.33	4.47
25706	¾	2.67	4.98
25711	1	2.60	5.29
25716	1¼	2.85	6.49
25721	1½	2.90	6.64
25726	2	3.41	7.35

**MegaPress Union, Carbon Steel, P x FPT - Model 4862**


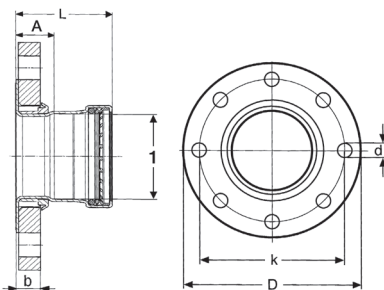
Part No. EPDM	Size (in)		A (in)	A1 (in)	L (in)
	1	2			
25650	½ x ½		1.25	0.54	2.85
25655	¾ x ¾		1.48	0.56	3.20
25660	1 x 1		1.37	0.66	3.38
25665	1¼ x 1¼		1.53	0.68	4.03
25670	1½ x 1½		1.55	0.68	4.10
25675	2 x 2		2.33	0.70	5.00

**MegaPress Union, Carbon Steel, P x FPT - Model 6662**


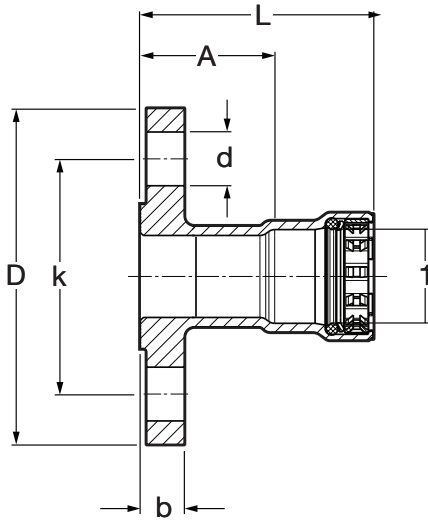
Part No. HNBR	Size (in)		A (in)	A1 (in)	L (in)
	1	2			
25651	½ x ½		1.38	0.54	2.98
25656	¾ x ¾		1.64	0.56	3.35
25661	1 x 1		1.62	0.66	3.63
25666	1¼ x 1¼		1.85	0.68	4.35
25671	1½ x 1½		1.80	0.68	4.35
25676	2 x 2		2.11	0.70	4.77

**Viega MegaPress Adapter Flange P - Models 4859XL / 6659XL**


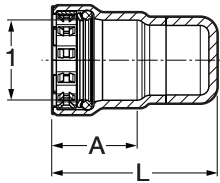
Part No. FKM HNBR	Size (in) 1	A (in)	L (in)	b (in)	k (in)	D (in)	d (in)	
								26775
26780	28880	3	1.65	3.95	0.96	5.98	7.48	0.75

**Viega MegaPress Adapter Flange P - Models 4859XL / 6659XL**


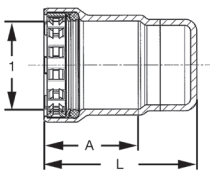
Part No. FKM HNBR	Size (in) 1	A (in)	L (in)	b (in)	k (in)	D (in)	d (in)	
								26785

**MegaPress Flange, Carbon Steel, P x BP - Models 4859.5 / 5959.5 / 6659.5**


Part No.			Size (in)	A (in)	L (in)	b (in)	k (in)	D (in)	d (in)
EPDM	FKM	HNBR	1						
25760	84845	25761	1/2	1.51	2.58	0.46	2.36	3.54	0.63
25765	84850	25766	3/4	1.58	2.74	0.52	2.76	3.94	0.63
25770	84855	25771	1	1.75	3.10	0.58	3.11	4.33	0.63
25775	84860	25776	1 1/4	1.89	3.71	0.64	3.50	4.53	0.63
25780	84865	25781	1 1/2	2.06	3.93	0.70	3.86	4.92	0.63
25785	84870	25786	2	2.07	4.06	0.77	4.76	5.91	0.75

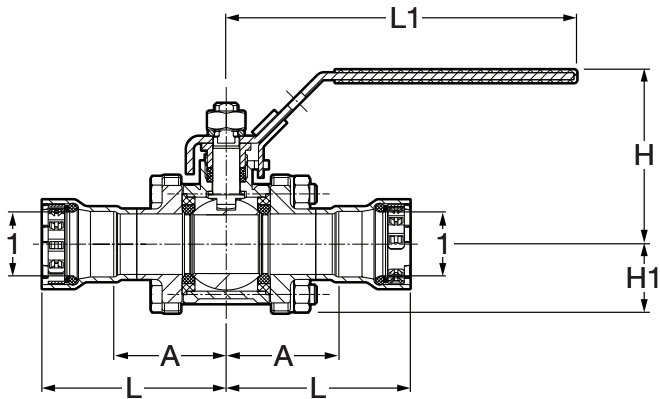
**MegaPress Cap, Carbon Steel, P x Cap - Models 4856 / 5956 / 6656**


Part No.			Size (in)	A (in)	L (in)
EPDM	FKM	HNBR	1		
25730	84100	25731	1/2	1.07	2.14
25735	84105	25736	3/4	1.16	2.26
25740	84110	25741	1	1.35	2.43
25745	84115	25746	1 1/4	1.82	2.93
25750	84120	25751	1 1/2	1.87	3.02
25755	84125	25756	2	1.99	3.11

**Viega MegaPress Cap P - Models 4856.1XL / 6656.1XL**


Part No.		Size (in)	A (in)	L (in)
FKM	HNBR	1		
26760	28860	2 1/2	1.80	3.27
26765	28865	3	2.30	3.78
26770	28870	4	3.18	4.65

### MegaPress 3-Piece Ball Valve, Carbon Steel, P x P - Models 4875.8 / 5975.8



Part No.		Size (in)*	A (in)	L (in)	L1 (in)	H (in)	H1 (in)
EPDM	FKM	1					
28500	86400	1/2	1.72	2.80	5.88	2.85	1.04
28501	86405	3/4	1.91	3.06	5.88	2.93	1.16
28502	86410	1	2.19	3.54	7.54	3.33	1.40
28503	86415	1 1/4	2.50	4.31	7.54	3.57	1.57
28504	86420	1 1/2	2.92	4.79	7.54	3.89	1.83
28505	86425	2	3.09	5.07	7.54	3.89	1.83

**V Viega LLC**  
585 Interlocken Blvd.  
Broomfield, CO 80021

Phone (800) 976-9819  
www.viega.us

DD-MP 1220 MegaPress Fittings

